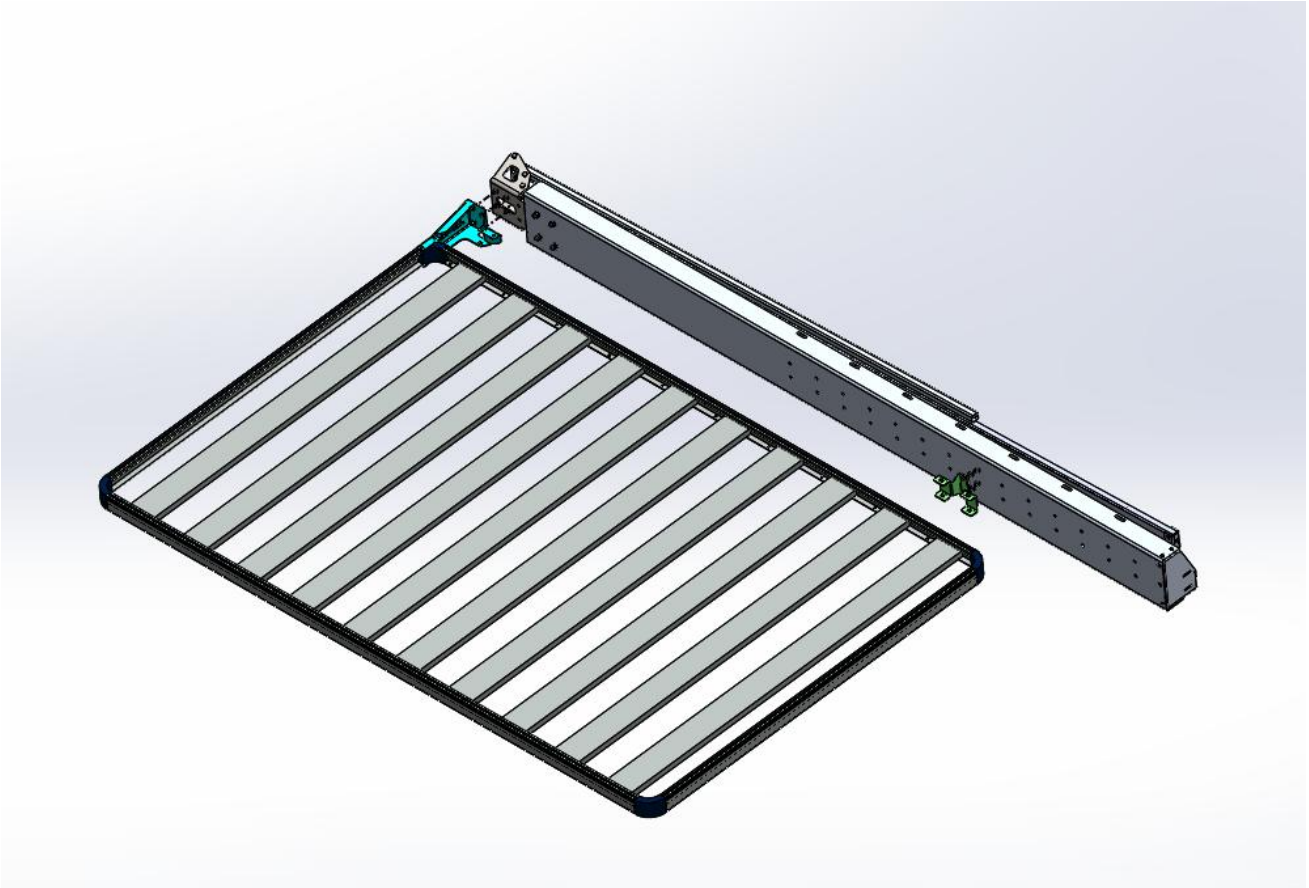


FITMENT INSTRUCTIONS

Alu-Cab™



Awning to Front Runner Roof Rack

All rights reserved. No part of this document may be reproduced, translated, stored in a retrieval system, or transmitted, in any form or by any means, electronic, mechanical, photocopying, recording or otherwise, without prior written permission of the owner.

Review all instructions information carefully before installation.

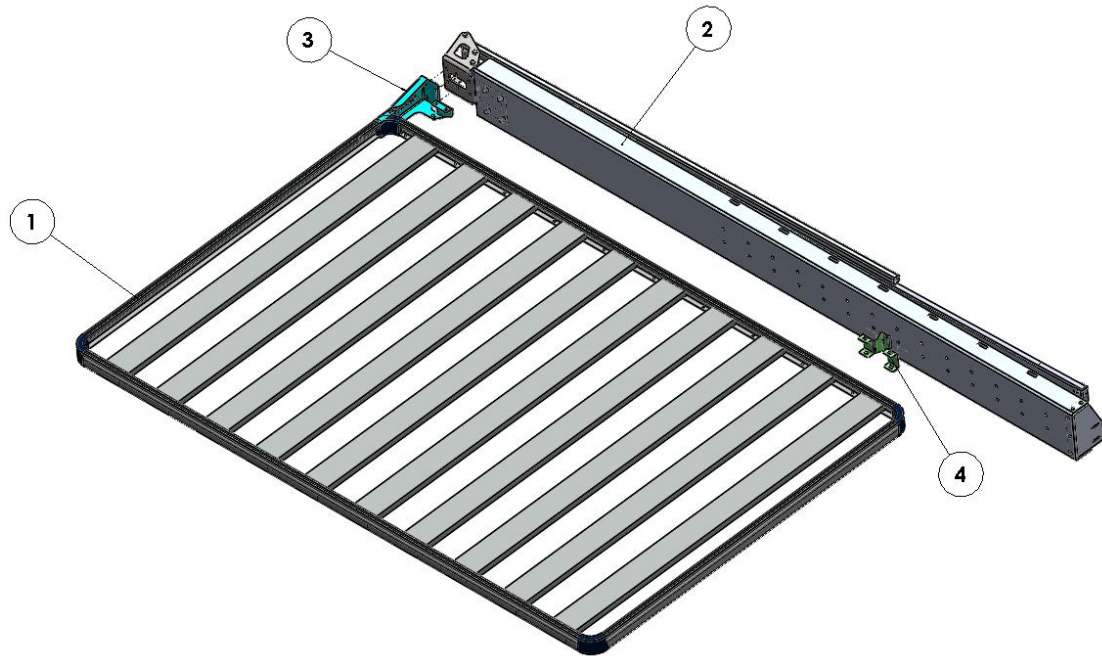
Any damages, direct or incidental to the installer and/or property due to incorrect installation of any parts are the responsibility of the installer. Due to the various applications and fitment options available, the responsibility lies with the user to ensure all mounting points are secure and tight before every trip. If unsure, consult with your Distributor regarding the operations of our products.

Users are advised to be mindful of the load they are carrying and drive in accordance with road conditions.

DISCLAIMER

Alu-Cab

LIST OF COMPONENTS:



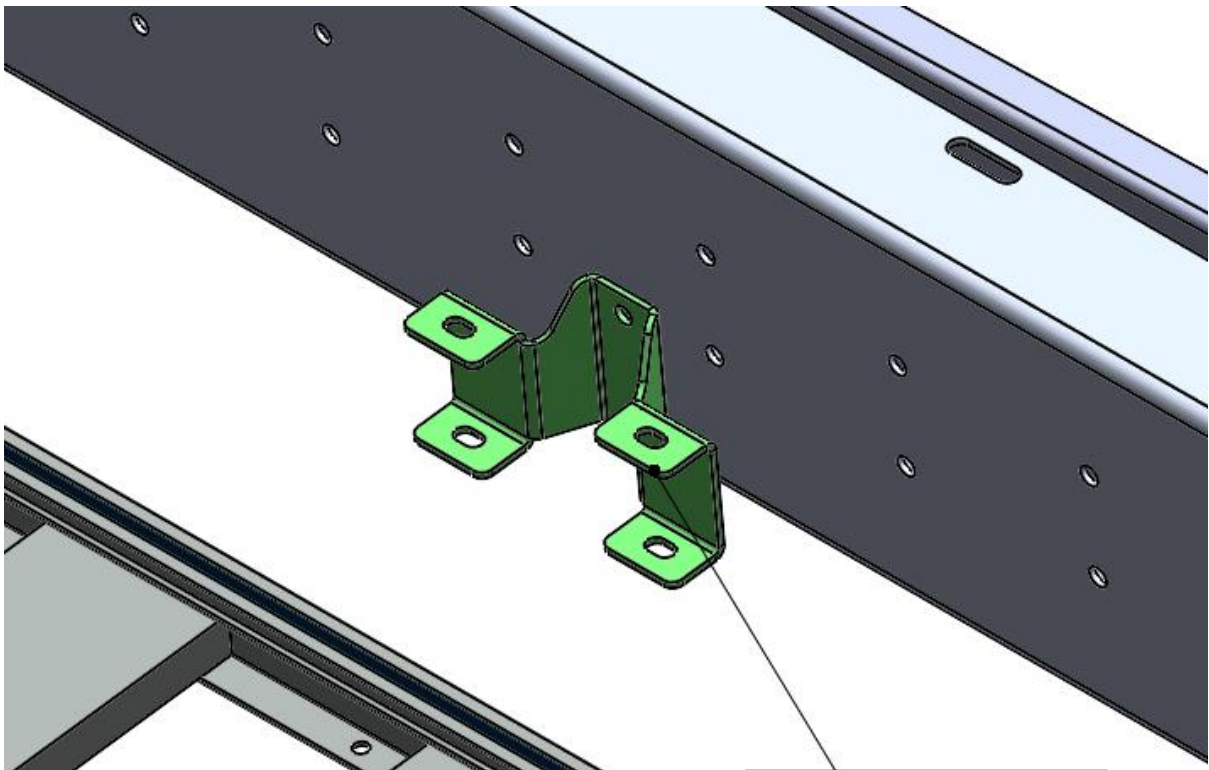
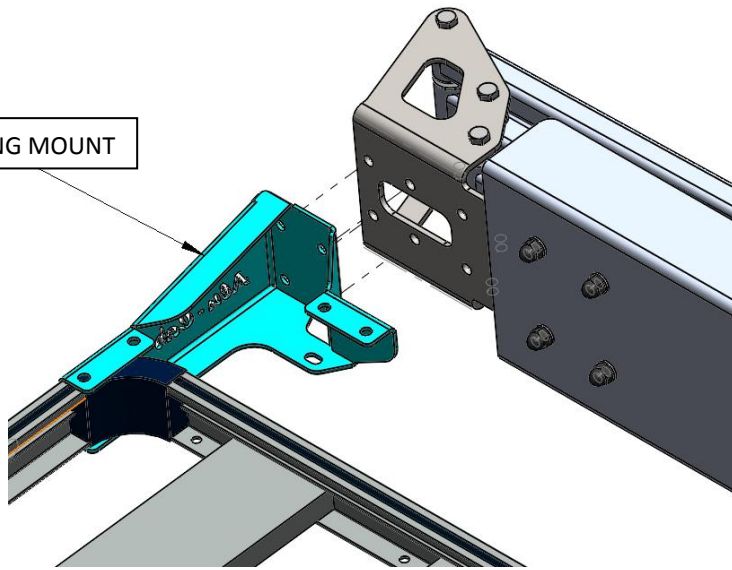
<u>ITEM NO.</u>	<u>PART NUMBER</u>	<u>QTY.</u>
1	Front Runner Roof Rack	1
2	Awning Assembly	1
3	Rear Awning Bracket – Front Runner	1
4	Forward Awning Bracket – Front Runner	1



WARNING

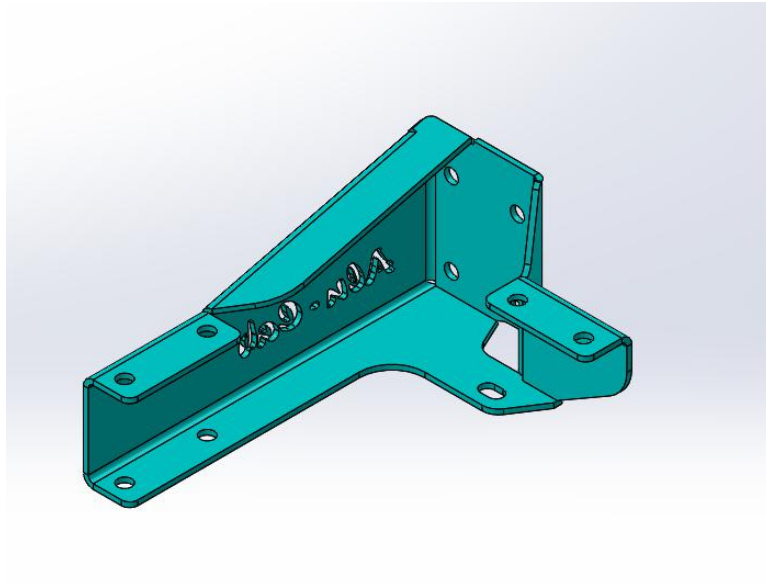
Always wear appropriate PPE (Personal protection equipment) when fitting this product. Although the mounting kit is designed to be DIY, if you have any doubts or concerns, contact an accredited fitment centre to carry out the work. Alu-Cab will not be liable for any injury to persons, and/or damage to products and/or vehicles.

REAR AWNING MOUNT

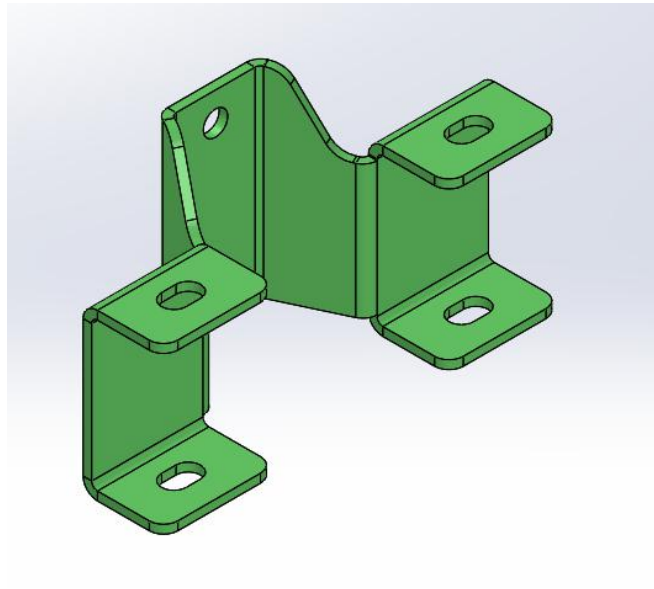


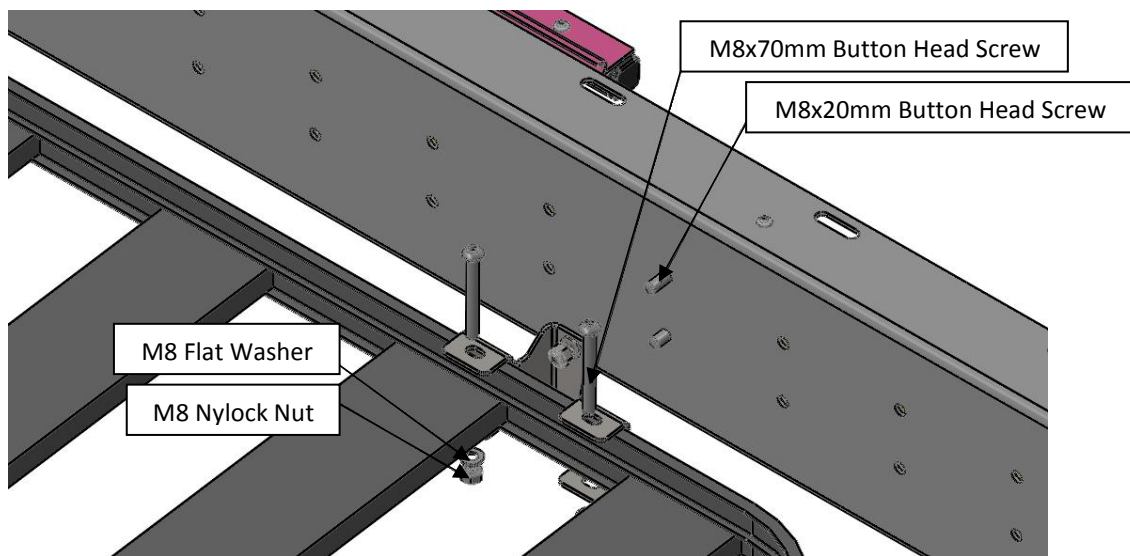
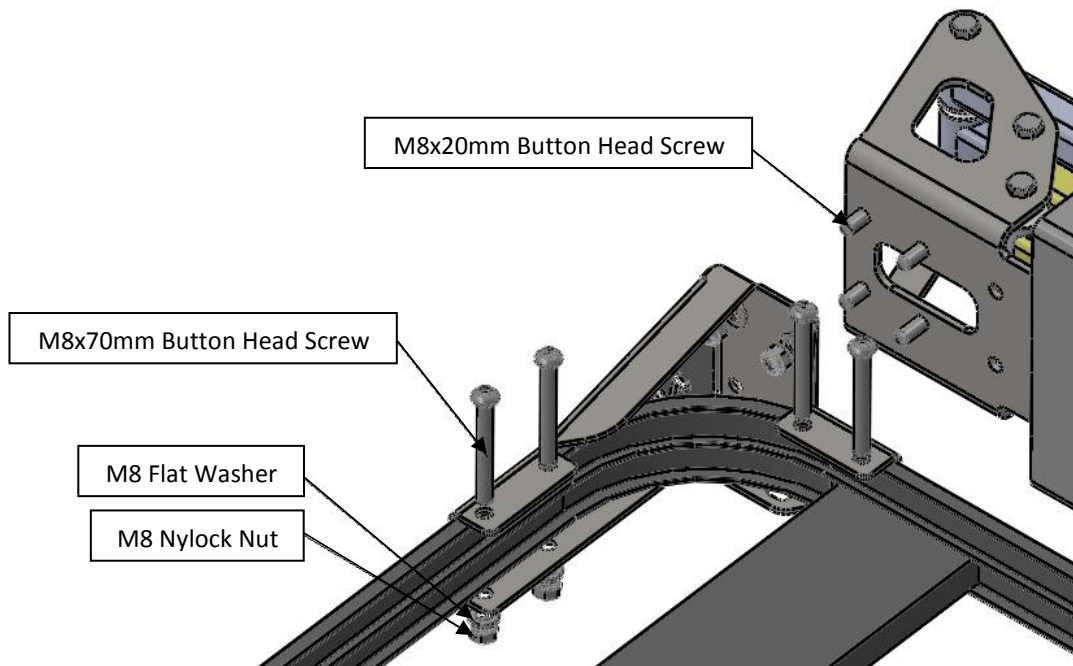
FORWARD AWNING MOUNT

ITEM 3 - REAR AWNING MOUNT



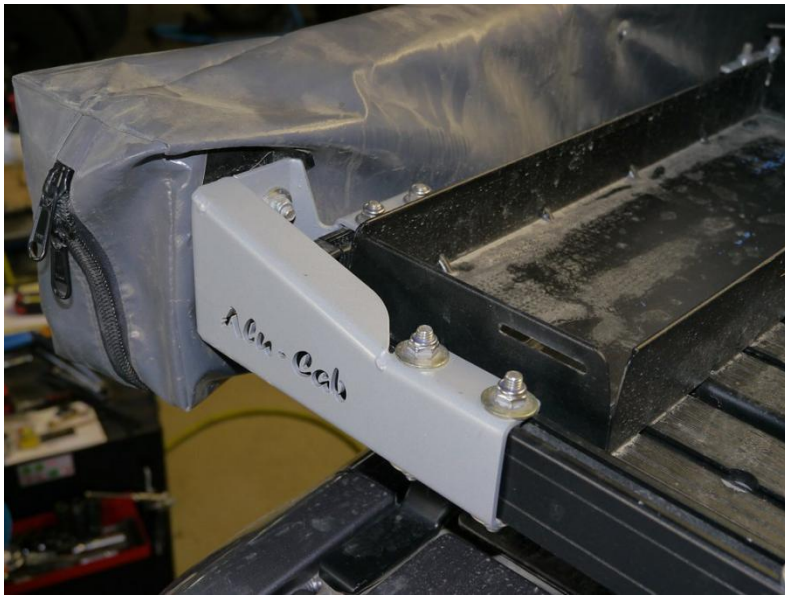
ITEM 4 – FORWARD AWNING MOUNT





Packing list for Front Runner Brackets

ITEM	QTY
M8x70mm Button head Screw	4 off
M8x20mm Button head Screw	8 off
M8 Flat Washer	12 off
M8 Nylock Nut	12 off



Should you experience any problems, please contact us so that we can assist you.

Enquiries: queries@alu-cab.co.za
Tel: +27 21 703 3028