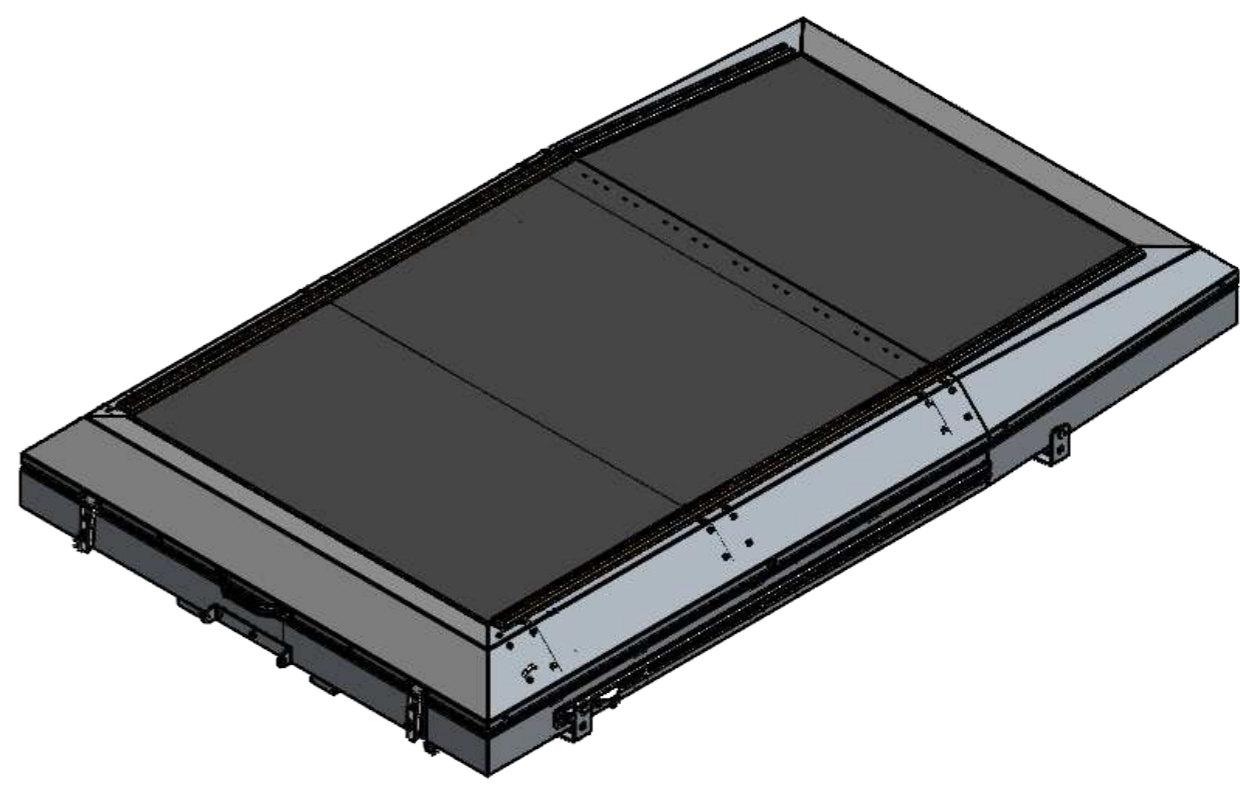
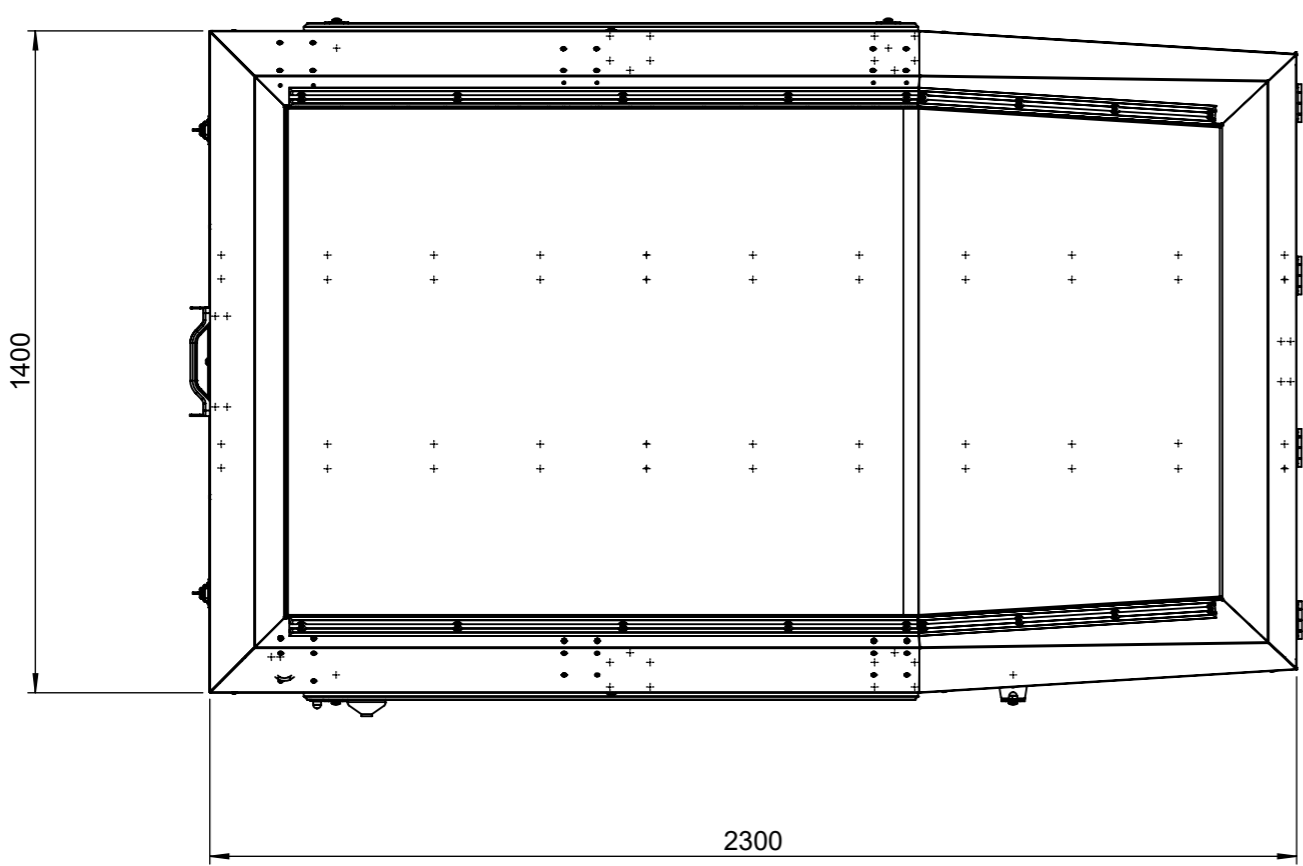
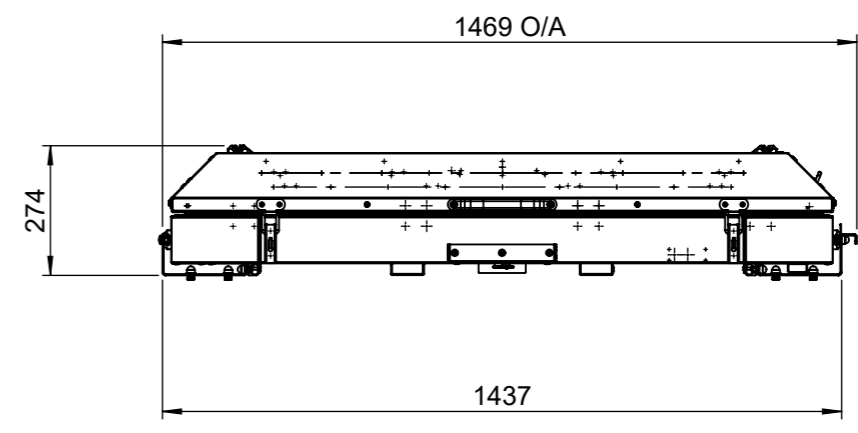
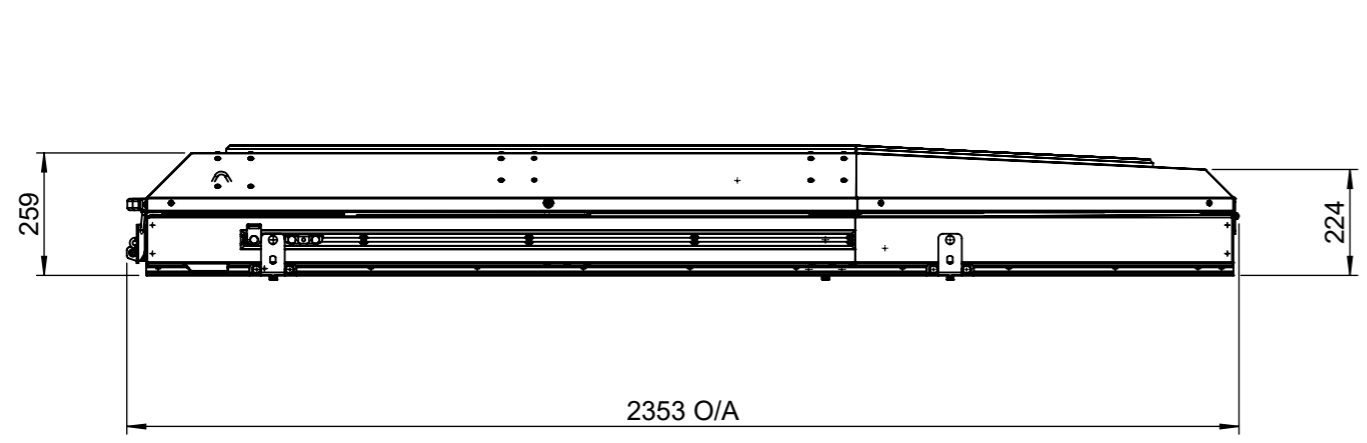


GEN 3.1 TENT - GENERAL ARRANGEMENT

ASSY INFO	MASS (kg):	71.320
	BONDED:	Y
	FASTENED:	Y
FINISH	WELDED:	Y
	TUMBLED:	
	BRUSHED:	
	POWDER:	Y
	SPRAY:	
	COLOUR:	N/A



TOLERANCES TO ASSUME UNLESS INDICATED OTHERWISE <table border="1"> <thead> <tr> <th>NOM</th> <th>DIMENSION</th> <th>RANGE (mm)</th> <th>TOLERANCE</th> </tr> </thead> <tbody> <tr> <td>0.50</td> <td>-</td> <td>3.00</td> <td>± 0.10</td> </tr> <tr> <td>3.00</td> <td>-</td> <td>6.00</td> <td>± 0.15</td> </tr> <tr> <td>6.00</td> <td>-</td> <td>30</td> <td>± 0.20</td> </tr> <tr> <td>30</td> <td>-</td> <td>120</td> <td>± 0.30</td> </tr> <tr> <td>120</td> <td>-</td> <td>400</td> <td>± 0.50</td> </tr> <tr> <td>400</td> <td>-</td> <td>1000</td> <td>± 1.00</td> </tr> <tr> <td>1000</td> <td>-</td> <td>1000<</td> <td>± 2.00</td> </tr> </tbody> </table>	NOM	DIMENSION	RANGE (mm)	TOLERANCE	0.50	-	3.00	± 0.10	3.00	-	6.00	± 0.15	6.00	-	30	± 0.20	30	-	120	± 0.30	120	-	400	± 0.50	400	-	1000	± 1.00	1000	-	1000<	± 2.00	DESCRIPTION: GEN 3.1 MAIN ASSEMBLY PROJECT: 413 - GEN 3.1 TENT	SHEET: A3 SCALE: 1:16 SHEET 1 of 1		DRAWING NO. 413-G3.1-MAIN ASSY-01 - GA	REV 00
	NOM	DIMENSION	RANGE (mm)	TOLERANCE																																	
	0.50	-	3.00	± 0.10																																	
	3.00	-	6.00	± 0.15																																	
6.00	-	30	± 0.20																																		
30	-	120	± 0.30																																		
120	-	400	± 0.50																																		
400	-	1000	± 1.00																																		
1000	-	1000<	± 2.00																																		
DRAWN BY: System Administrator	DATE: 2021-07-28	THE INFORMATION CONTAINED WITHIN THIS DOCUMENT IS THE INTELLECTUAL PROPERTY OF ALU-CAB (PTY) LTD																																			
PROJECT:																																					