

FITMENT INSTRUCTIONS

Alu-Cab™



Chev Colorado Canopy Mounting Bracket

All rights reserved. No part of this document may be reproduced, translated, stored in a retrieval system, or transmitted, in any form or by any means, electronic, mechanical, photocopying, recording or otherwise, without prior written permission of the owner.

Review all instructions information carefully before installation.

Any damages, direct or incidental to the installer and/or property due to incorrect installation of any parts are the responsibility of the installer. Due to the various applications and fitment options available, the responsibility lies with the user to ensure all mounting points are secure and tight before every trip. If unsure, consult with your Distributor regarding the operations of our products.

Users are advised to be mindful of the load they are carrying and drive in accordance with road conditions.

DISCLAIMER

Alu-Cab

1. Chev Colorado Canopy mounting bracket Fitment – Tools, Fasteners & Materials

The tables below show the equipment, i.e. tools and fasteners required to start the canopy mounting bracket fitment onto a Alu-cab canopy.

1.1. Tools & Items Required:

<u>TOOLS</u>
Ratchet
Allen key
13mm Socket
13mm Ring Flat Spanner
19mm Socket
19mm Ring Flat Spanner

<u>ITEM</u>
Turpentine
Cloth
Black sealant, silicone or Sikaflex

1.2. Fasteners supplied: (Included with mounting brackets)

Item Number	File Name	Title	Qty
1	M08-Nyloc.par	M8 Nylock Nut	12
2	M12_Bolt x 40.par	M12 x 40 Hex Bolt	4
3	M12_Washer.par	M12 Flat Washer	8
4	M12-Nyloc.par	M12 Nylock Nut	4
5	M8_Bolt x 20.par	M8 x 20mm Hex Bolt	10
6	M8_Washer.par	M8 Flat Washer	18
7	M8_Bolt x 65.par	M8 x 65mm Hex Bolt	2

1.3. Hardware Required:

Item Number	File Name	Title	Qty
1	209-CCDC-MNT-DSC-01-00	LOAD BIN MOUNTING DISC	8
2	209-CCDC-MNT-WLD-01-00	LOAD BIN MOUNT WELD	4
3	209-CCDC-TOP-BRK-01-00	CANOPY MOUNT BRACKET	6
4	CMB-000-002	CENTRE MOUNT BRACKET	2



WARNING

Always wear appropriate PPE (Personal protection equipment) when fitting this product. Although the mounting kit is designed to be DIY, if you have any doubts or concerns, contact an accredited fitment centre to carry out the work. Alu-Cab will not be liable for any injury to persons, and/or damage to products and/or vehicles.

Parts:

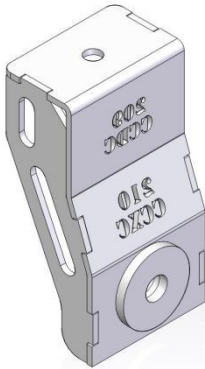


Fig 1: 209-CCDC-MNT-WLD-01-00

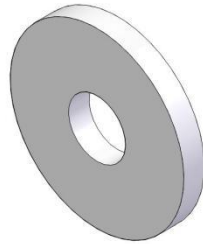


Fig 2: 209-CCDC-MNT-DSC-01-00

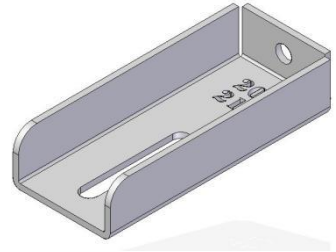


Fig 3: 209-CCDC-TOP-BRK-01-00

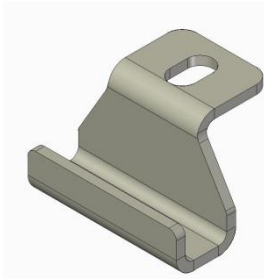


Fig 4: CMB-000-002

2. Mounting the brackets to the load bin

The mounting brackets are bolted to standard positions on load bin. Figure 5 below shows to positions on load bin.

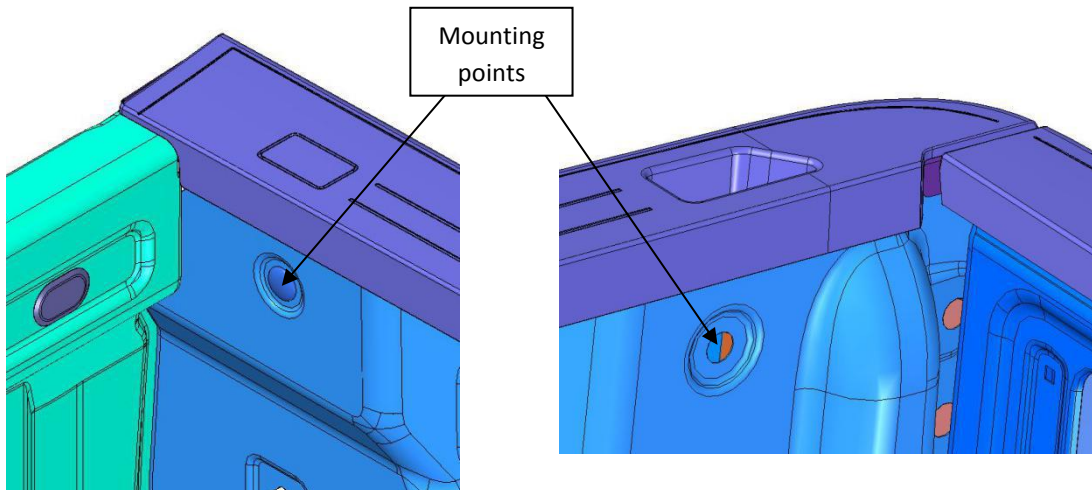


Fig 5: Front and Rear Mounting points

2.1 Mounting the Support Brackets to the Load Bin

Remove plastic cover of mounting point and also the cover on top hatch. Then place M12x40 Hex Bolt with M12 washer and 209-CCDC-MNT-DSC-01-00 into the hole that is in the load bin. See Fig 6 and Fig 7.

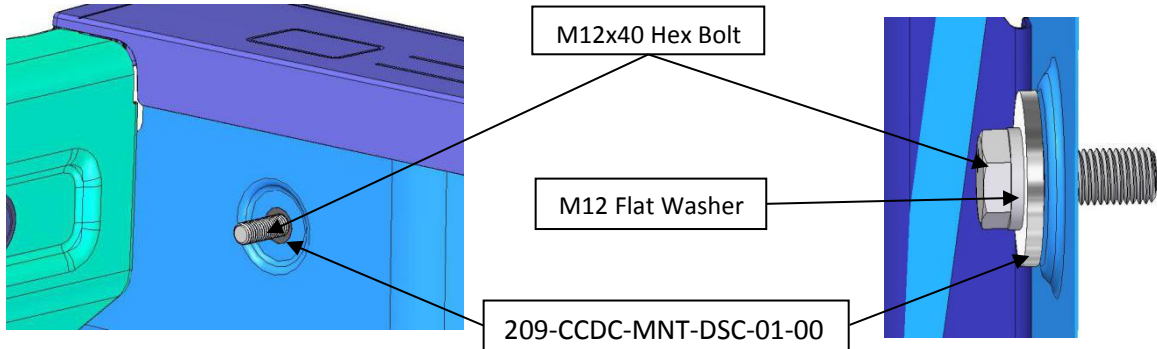


Fig 6:

Fig 7:

Place 209-CCDC-MNT-DSC-01-00 on bolt to create spacer. See Fig 8.

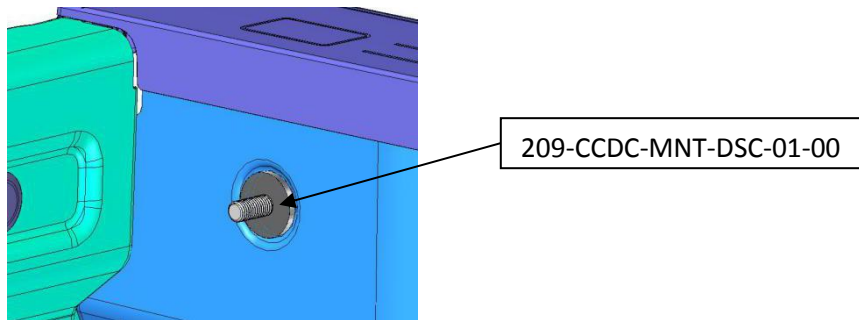


Fig 8:

Place 209-CCDC-MNT-WLD-01-00 on bolt and hold square with load bin top edge.

See fig. 9

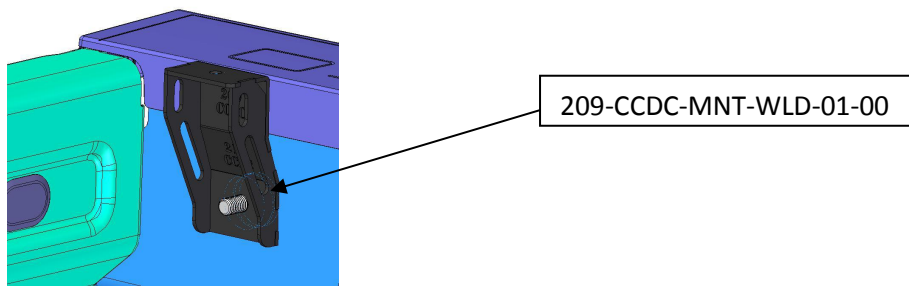


Fig 9:

Place M12 washer and M12 nylock nut on bolt and tighten the bracket to load bin. See Fig 10.

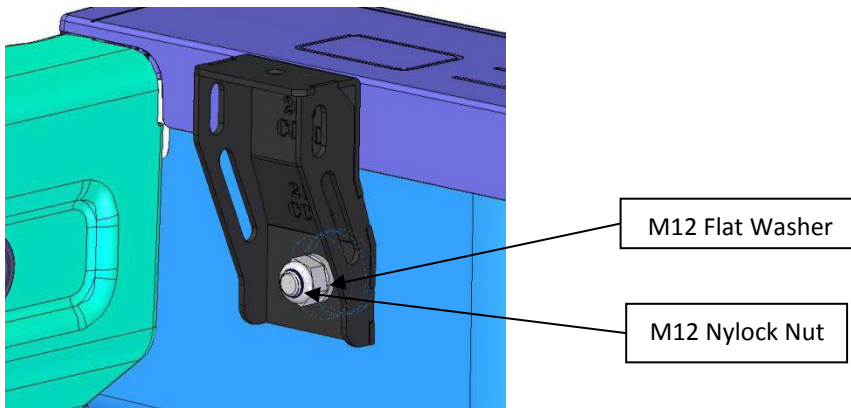


Fig 10:

Repeat same sequence on rear mounting position as shown in fig 5. See fig 11.

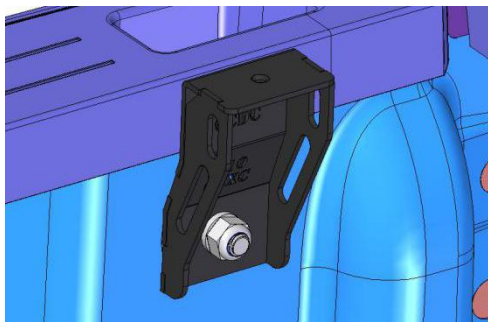


Fig 11:

2.2 Mounting Canopy to mounting bracket

Place canopy on load bin, make sure canopy is centre on the load bin. See fig 12 and 13.

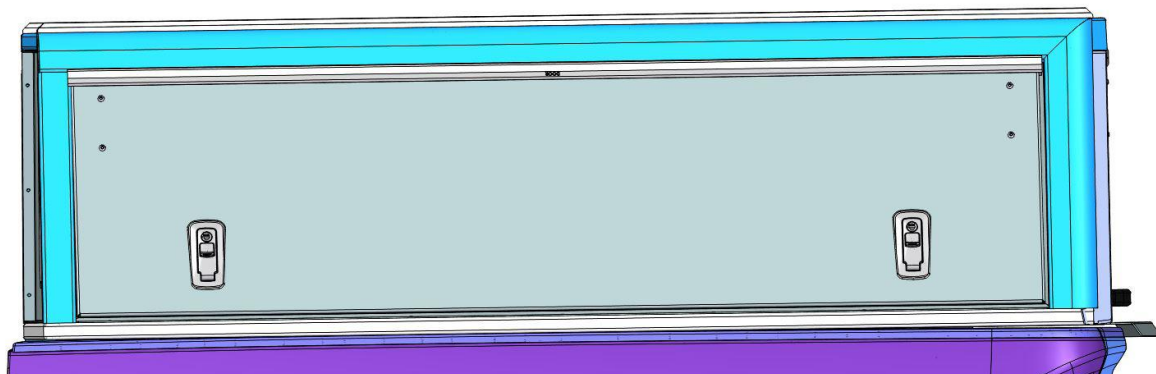


Fig 12:

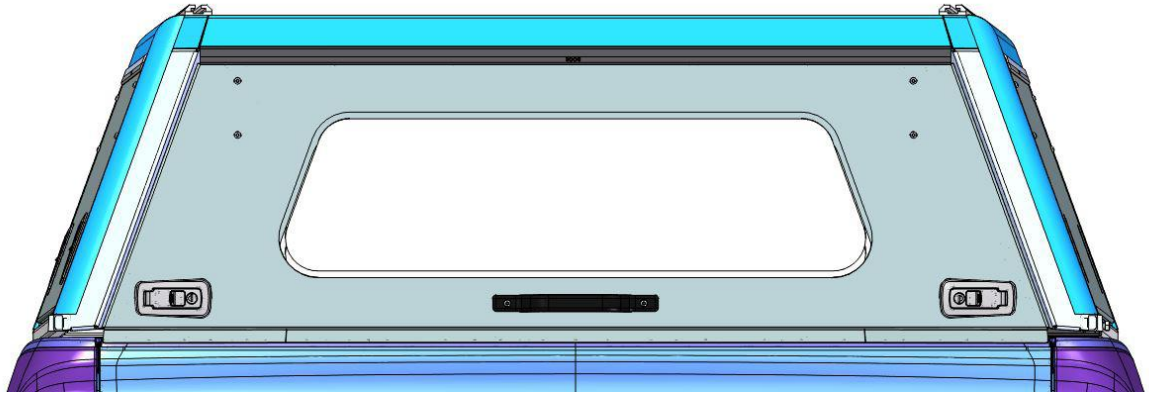
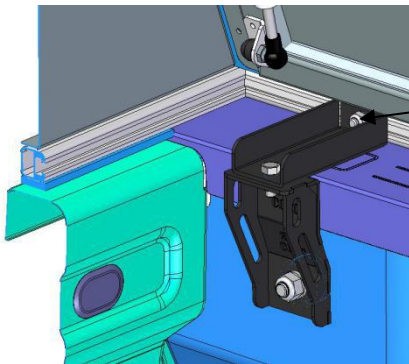


Fig 13:

Slide M8x20 hex bolt in nut slot until centre of mounting bracket. Place mounting bracket 209-CCDC-TOP-BRK-01-00 over bolt and tighten to canopy with M8 washer and M8 nylock nut. Keep straight over bracket and bolt down to load bin bracket. Use M8x20, M8 Washer and M8 Nylock nut. See fig 14.



M8x20 hex bolt fastens into nut slot of canopy

Fig 14:

If vehicle is XC then centre mount bracket is required.