

FITMENT INSTRUCTIONS

Alu-Cab™



Toyota Tacoma 2015 Canopy

All rights reserved. No part of this document may be reproduced, translated, stored in a retrieval system, or transmitted, in any form or by any means, electronic, mechanical, photocopying, recording or otherwise, without prior written permission of the owner.

Review all instructions information carefully before installation.

Any damages, direct or incidental to the installer and/or property due to incorrect installation of any parts are the responsibility of the installer. Due to the various applications and fitment options available, the responsibility lies with the user to ensure all mounting points are secure and tight before every trip. If unsure, consult with your Distributor regarding the operations of our products.

Users are advised to be mindful of the load they are carrying and drive in accordance with road conditions.

DISCLAIMER

Alu-Cab

1. Canopy Fitment – Tools, Fasteners & Materials

The tables below show the equipment, i.e. tools and fasteners required to start the canopy fitment for a 2015 Toyota Tacoma.

1.1. Tools & Items Required:

<u>TOOLS</u>
Ratchet
Allen key
13mm Socket
13mm Ring Flat Spanner
Rivet gun
drill
5mm drill bit

<u>ITEM</u>
Turpentine
Cloth
Black sealant, silicone or Sikaflex
Window Cleaner

1.2. Fasteners supplied: (Included with canopy)

<u>ITEM</u>	<u>QTY</u>
M8x30mm Button head screw	12 off
M8x20mm Hex Bolts	12 off
M8 Spring Washer	12 off
M8 Flat Washer	30 off
M8 Nylock Nuts	12 off
M8 Plastic Nut Caps	12 off
4.8x10 normal rivet	12 off

1.3. Hardware Required: (Included with canopy)

<u>ITEM</u>	<u>QTY</u>
TC-Item 2x3ss	6 off
TC-Item 3x3ss	6 off
TC-Item 4x3ss	6 off
TC-Item 5x3ss	6 off
282-2015-COV-STRIP-01-00(Front cover strip)	1 off



WARNING

Always wear appropriate PPE (Personal protection equipment) when fitting this product. Although the mounting kit is designed to be DIY, if you have any doubts or concerns, contact an accredited fitment centre to carry out the work. Alu-Cab will not be liable for any injury to persons, and/or damage to products and/or vehicles.

Parts:

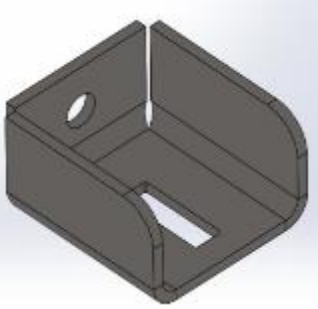


Fig 1: TC-item 2x3ss

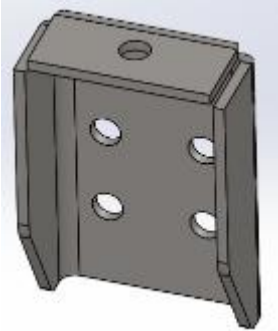


Fig 2: TC-item 3x3ss

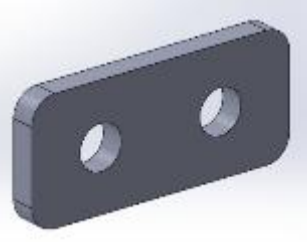


Fig 3: TC-item 5x3ss

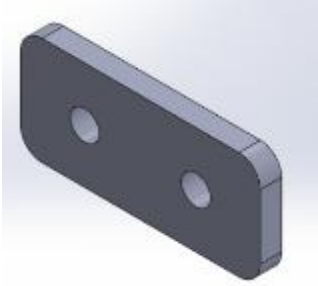


Fig 4: TC-item 4x3ss
(Threaded nut plate)

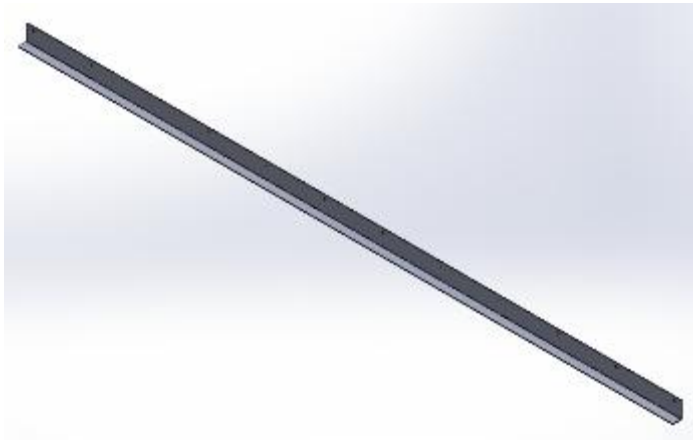


Fig 5: 282-2015-COV-STRIP-01-00

2. Installing front cover strip to canopy

Part 282-2015-COV-STRIP-01-00 (front cover strip) is supplied with the canopy must be riveted to the front aluminium nut slot extrusion as shown below.

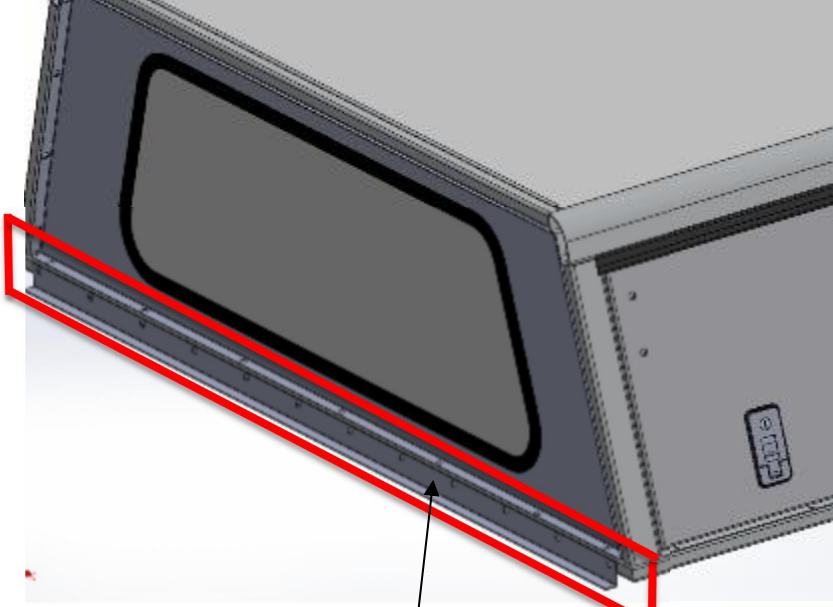


Fig 6: Front Cover Strip

Step 1: Put canopy onto the vehicle. Place the front cover strip with supplied rubber strip onto the front landing of load bin so that the cover strip sits flush on the front landing as shown in Figure 7.

Step 2: Mark off the height of the holes on the nut slot member. See Figure 8.

Step 3: Remove the canopy and drill holes into the nut slot.

Step 4: Rivet cover strip onto nut slot.

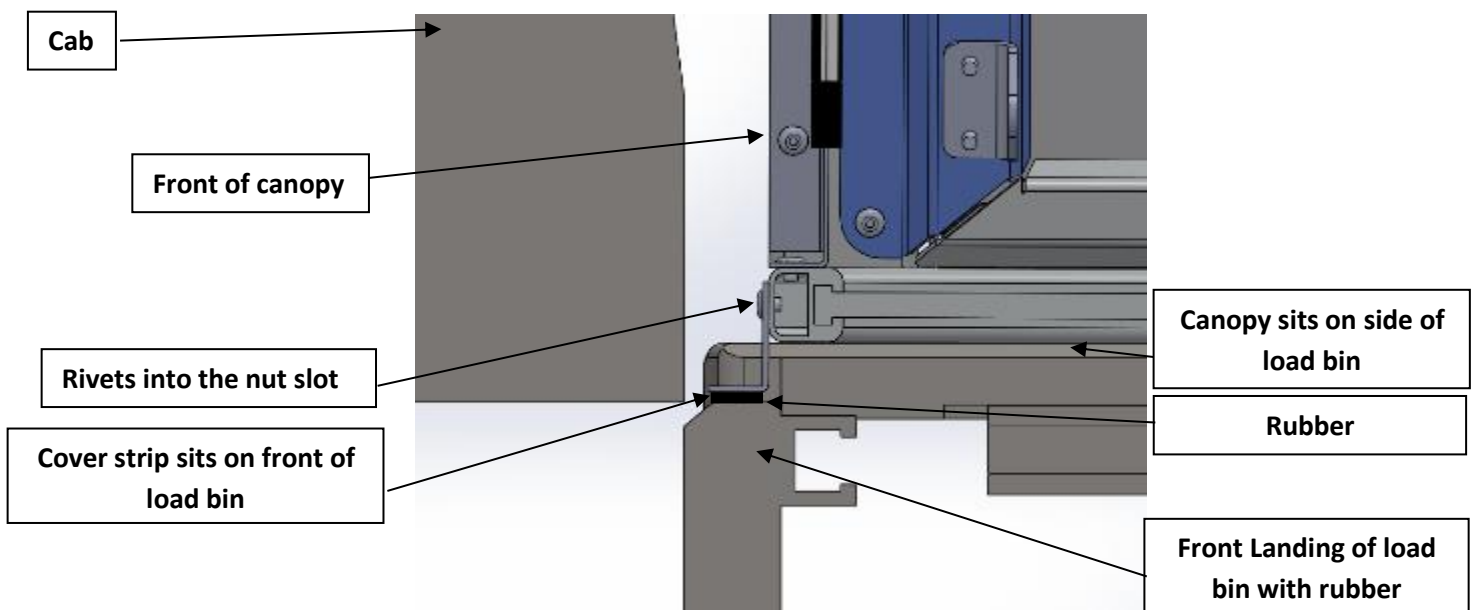


Fig 7: Section View of canopy on load bin

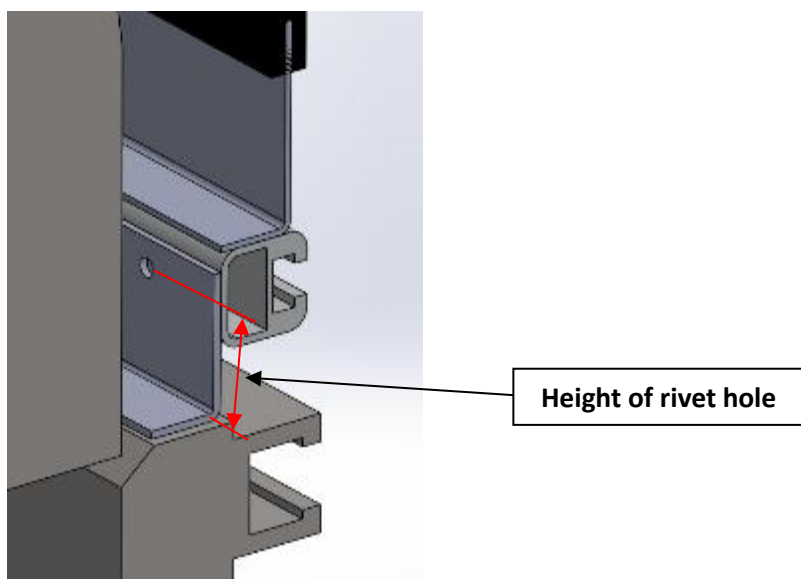


Fig 8: Isometric Section view of Canopy on Load Bin

3. Mounting the canopy brackets to the load bin

The Tacoma canopy has six bracket kits (3 per side) which are fitted to the load bin. Figure 9 and 10 below shows a bracket kit assembly.

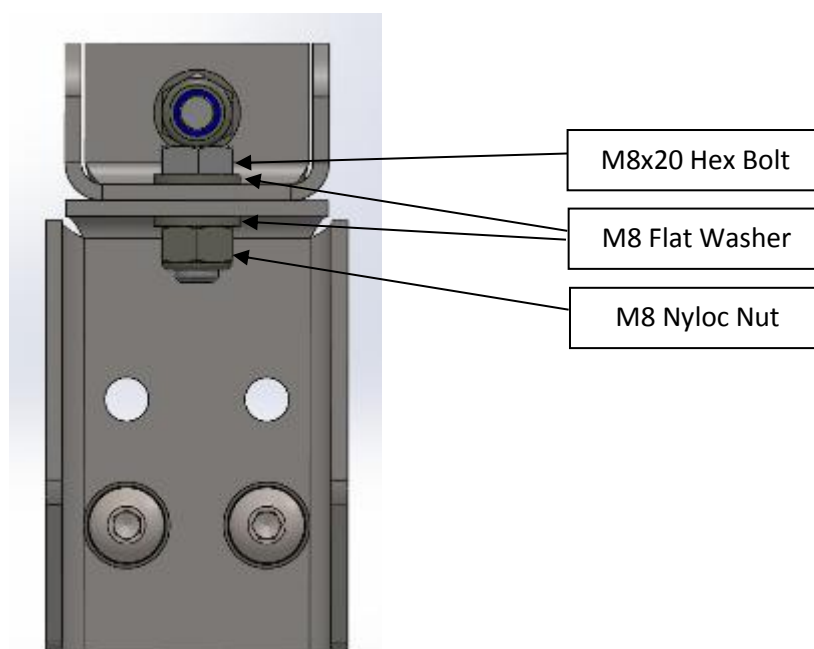
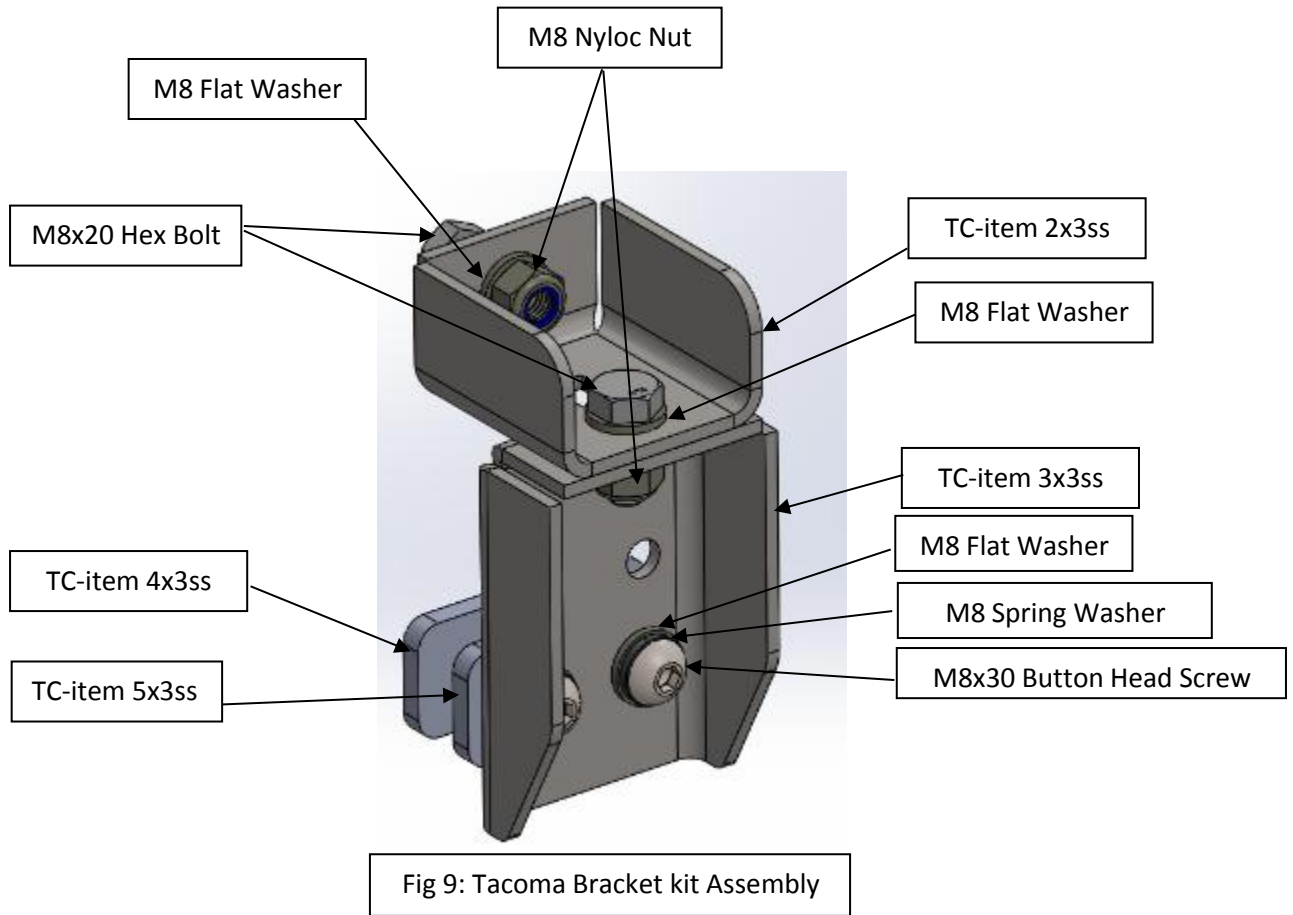


Fig 10: Tacoma Bracket kit Assembly Front View

3.1 Mounting the Support Brackets to the Load Bin

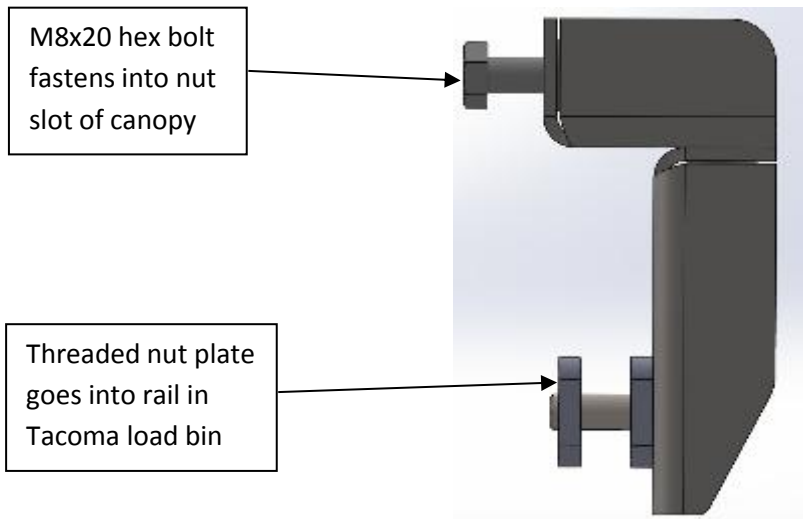


Fig 11: Tacoma Bracket kit Assembly Side View

Figures 9 and Figure 10 shows where the mounting brackets are fixed to the load bin.

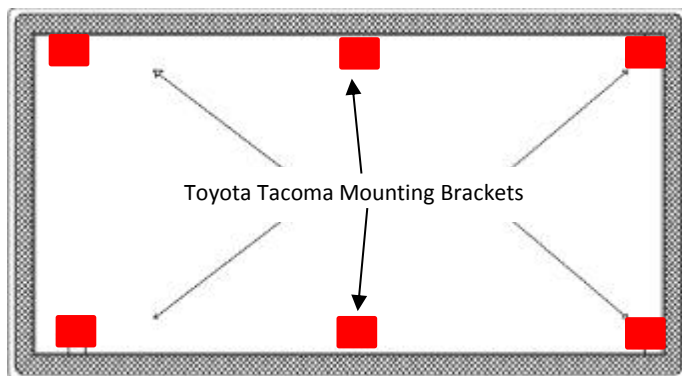


Fig 12: Top View of Load bin

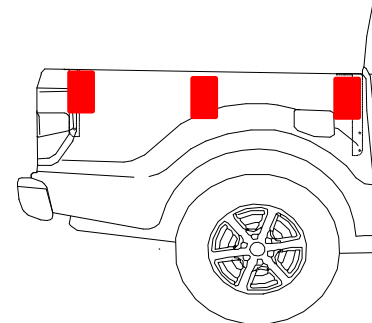


Fig 13: Side View of Load bin

Bolting the brackets to the load bin

For each bracket assembly, first slide the threaded nut plate into the Toyota Tacoma load bin rail. TC-item 5x3ss will be sandwiched between TC-item 3x3ss and the load bin rail as a spacer if needed. TC-item 3x3ss will be bolted to the thread nut plate using the M8x30 Button head screws with M8 flat washers and M8 spring washers. TC-item 2x3ss bolts to bracket TC-item 3x3ss and the nut slot in the canopy frame to secure the canopy.

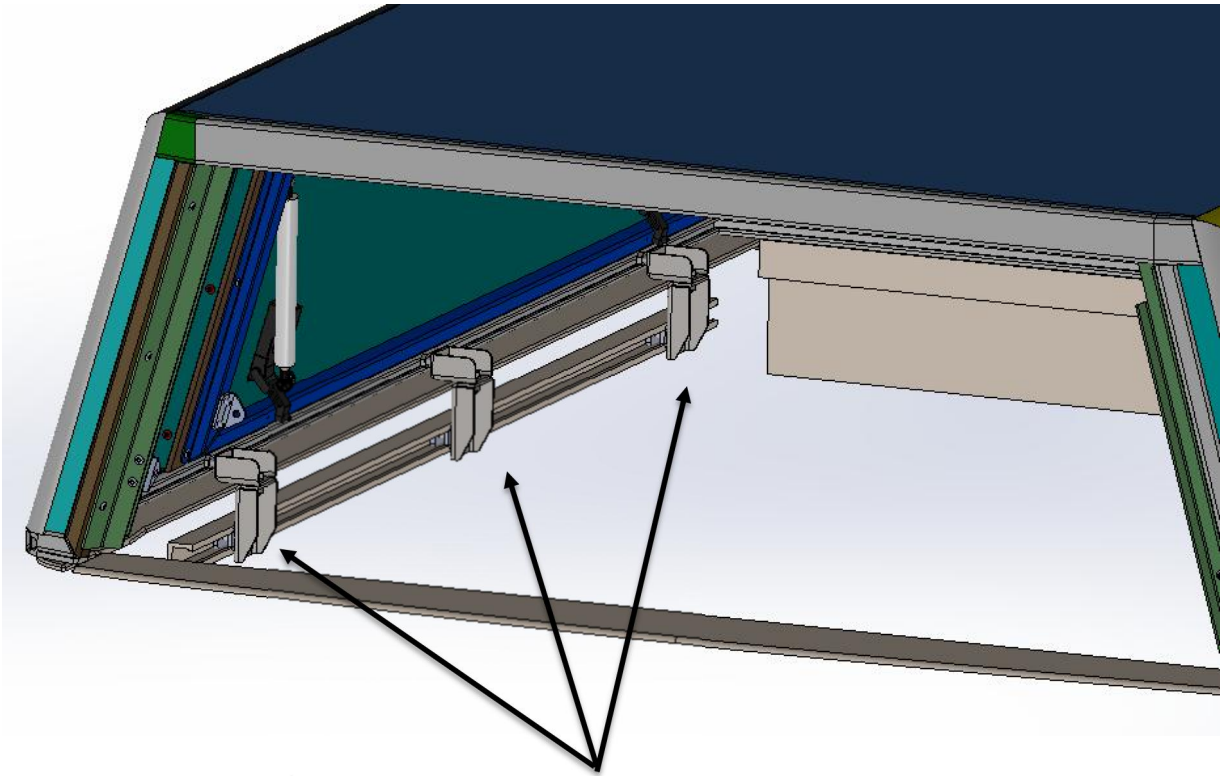


Fig 14: Tacoma Bracket kits



Fig 15: Photos of Bracket kit assembled in Tacoma Load Bin

4. Canopy Installation

Before placing the canopy onto the load bin, check that the D-Rubber is intact on the canopy. If this is not done, the canopy and/or load bin could be damaged or can cause leaks into the canopy.

To position the canopy, ensure that it is flush with the load bin on the inside.

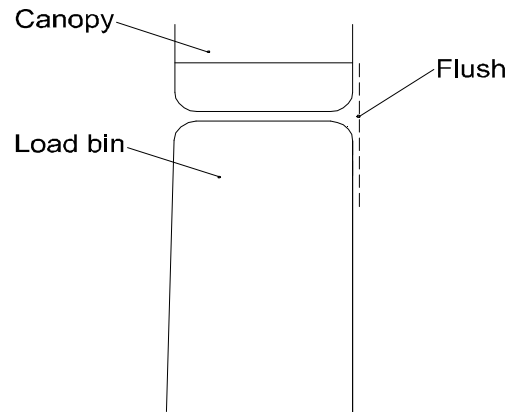


Figure 16: Canopy and Load Bin Alignment

4.1. Canopy Fitment to Load bin

Keep all the doors of the canopy open besides the rear door when placing it onto the load bin. Check alignment before bolting down.