

FITMENT INSTRUCTIONS

Alu-Cab™

Gen 3 Tent Condensation Skirting

All rights reserved. No part of this document may be reproduced, translated, stored in a retrieval system, or transmitted, in any form or by any means, electronic, mechanical, photocopying, recording or otherwise, without prior written permission of the owner.

Review all instructions information carefully before installation.

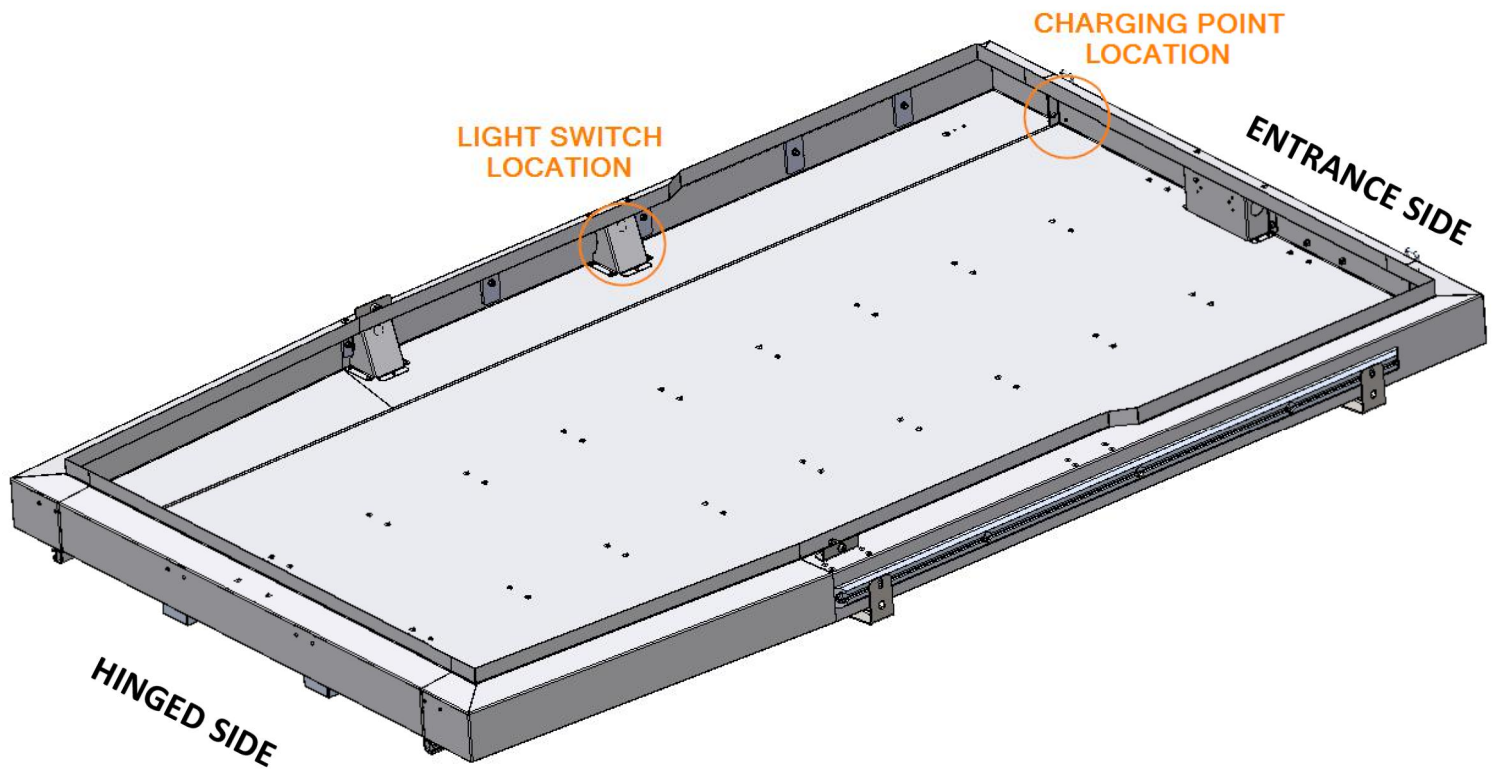
Any damages, direct or incidental to the installer and/or property due to incorrect installation of any parts are the responsibility of the installer. Due to the various applications and fitment options available, the responsibility lies with the user to ensure all mounting points are secure and tight before every trip. If unsure, consult with your Distributor regarding the operations of our products.

Users are advised to be mindful of the load they are carrying and drive in accordance with road conditions.

DISCLAIMER

Alu-Cab

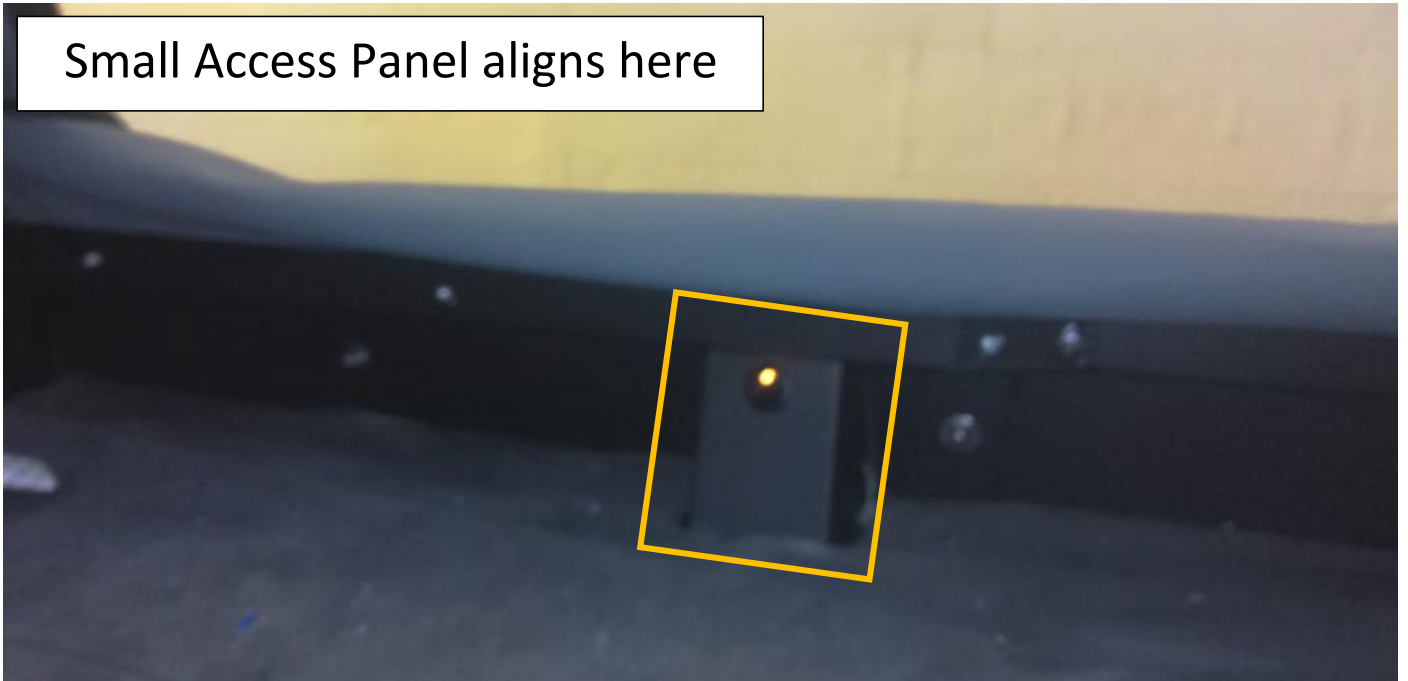
General Arrangement of Gen 3 Tent Base for Reference Purposes



The above image has been included as reference, for added clarity when performing the Condensation Skirting fitment.

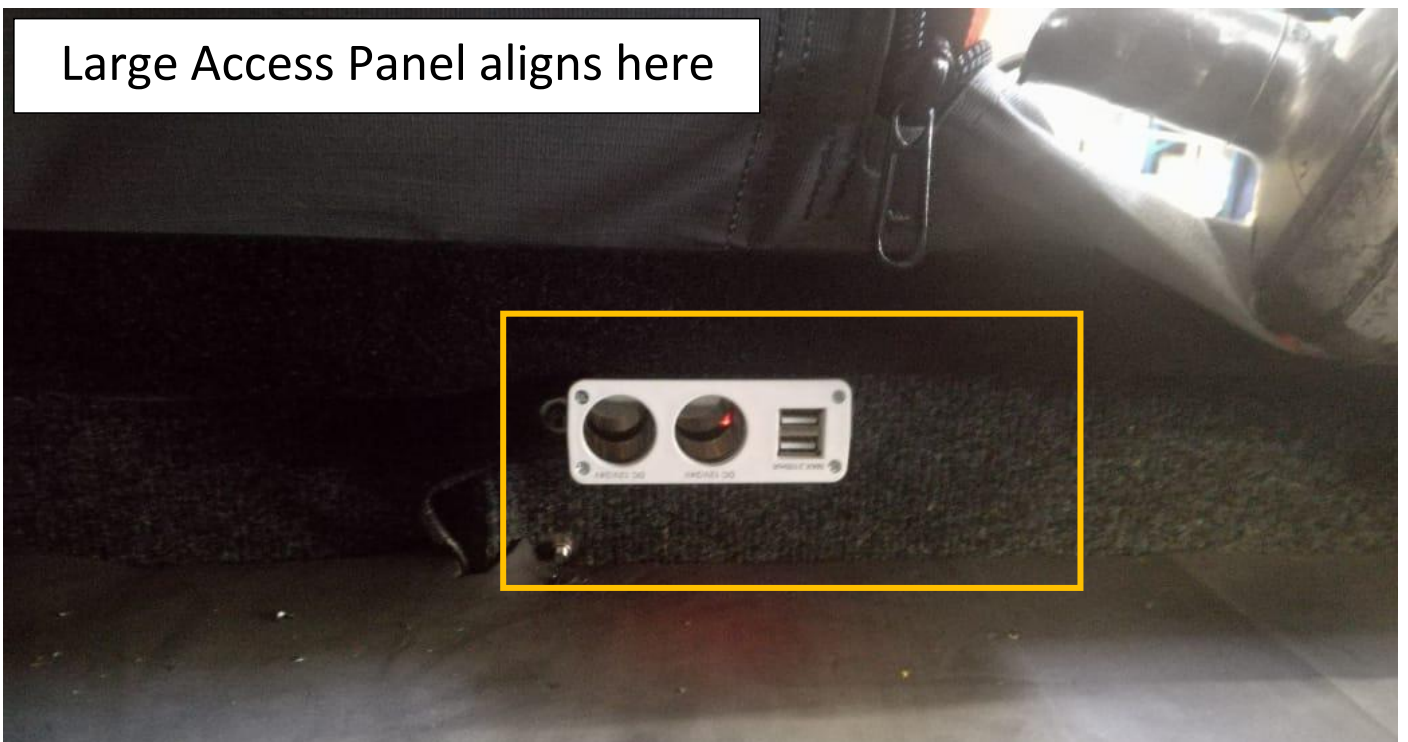
Remove the mattress from you Gen 3 Tent and start fitting the condensation skirting from the light switch point. Make sure that the access panel in the skirting lines up with with the light switch and start sticking the skirting along the Velcro strap.

Small Access Panel aligns here



Make sure that the 2nd access panel lines up with the power socket too.

Large Access Panel aligns here



As you move around the base with the skirting, make sure that you press the skirting firmly into place, folding the edges in an overlapping fashion, in the corners. The excess skirting lies underneath the mattress.



Continue all the way around until you reach the light switch point again.

Once you have fitted the skirting, you may fit the mattress back into your Gen 3 Tent. See images of the completed install, below:



