

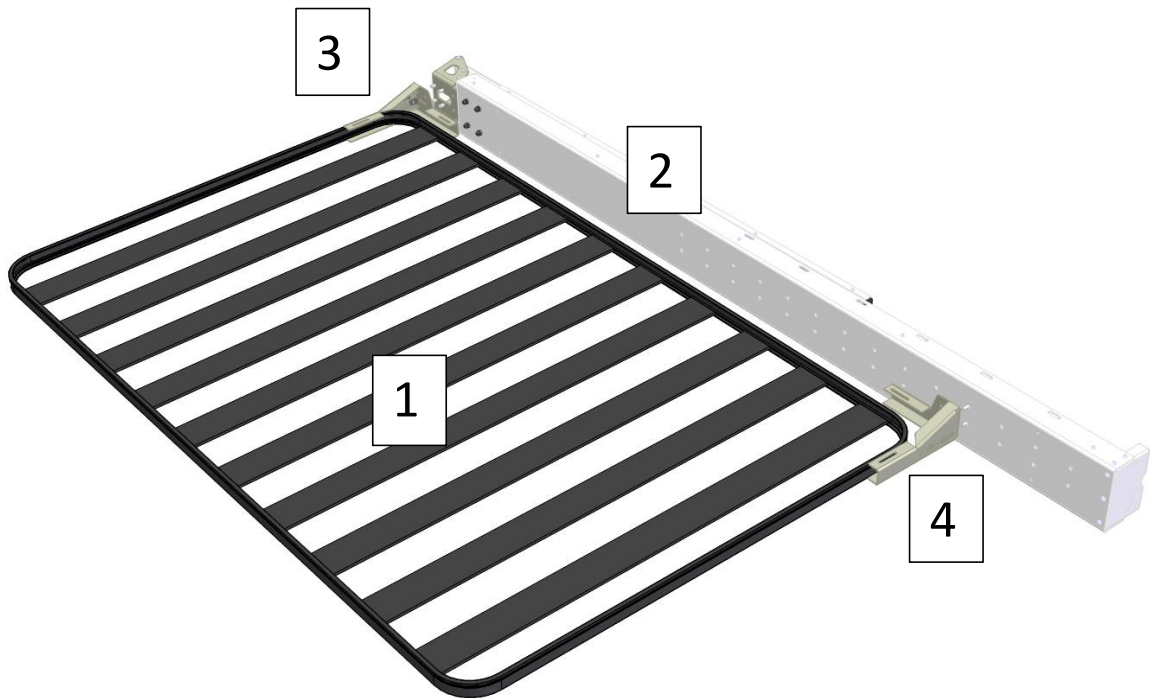


# AWNING TO K-9 ROOF RACK

## FITMENT INSTRUCTION



## LIST OF COMPONENTS:

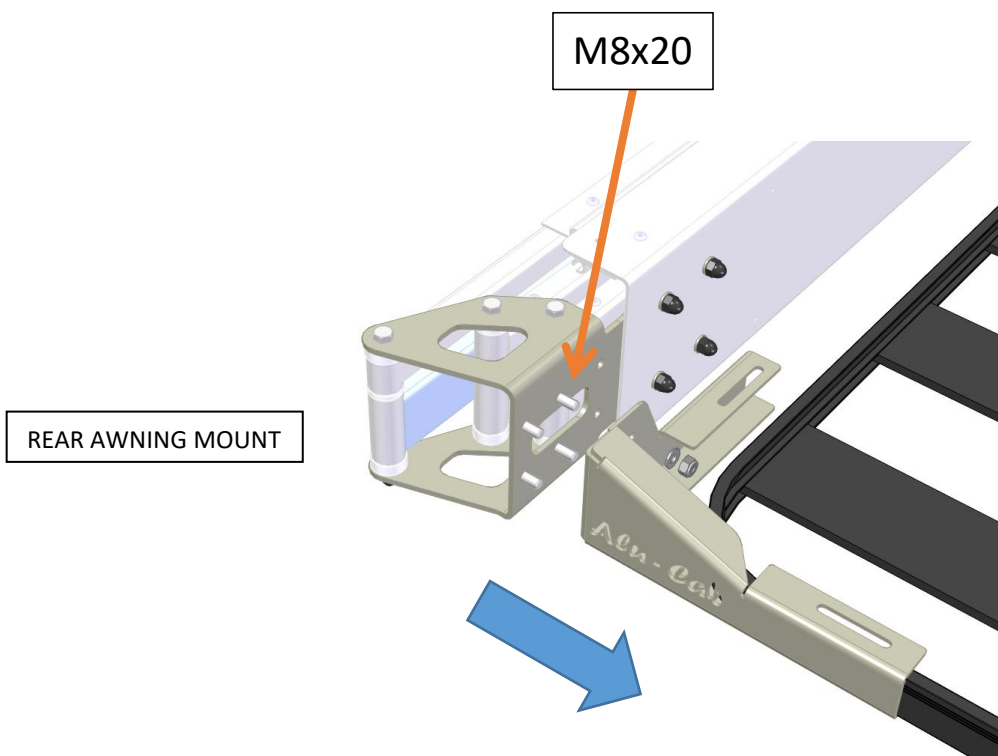


### Part Identification

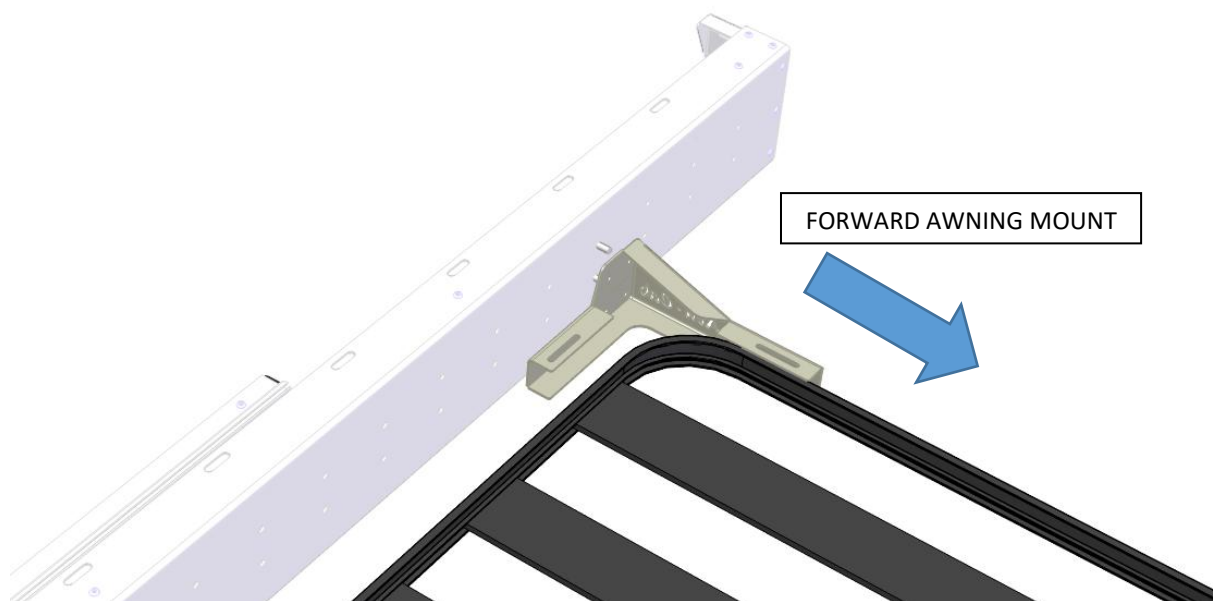
<u>ITEM NO.</u>	<u>PART NUMBER</u>	<u>QTY.</u>
1	K-9 roof rack	1
2	Awning Assembly	1
3	RHS Awning Bracket	1
4	LHS Awning Bracket	1

### Parts & Fasteners supplied

<u>ITEM</u>	<u>QTY</u>
RHS Awning Bracket	1 off
LHS Awning Bracket	1 off
M8x20mm Hex Bolt	6 off
M8x25mm Hex Bolt	4 off
M8 Flat Washer	16 off
M8 Nylock Nut	10 off
M8 Nut Cap	10 off



Line up the supplied brackets and and the awning to check that the awning's 270deg arm clears the vehicle.



Test fit the front bracket supplied and mark the holes required to mount the awning. Drill through the awning with an 8mm drill bit

M8x20

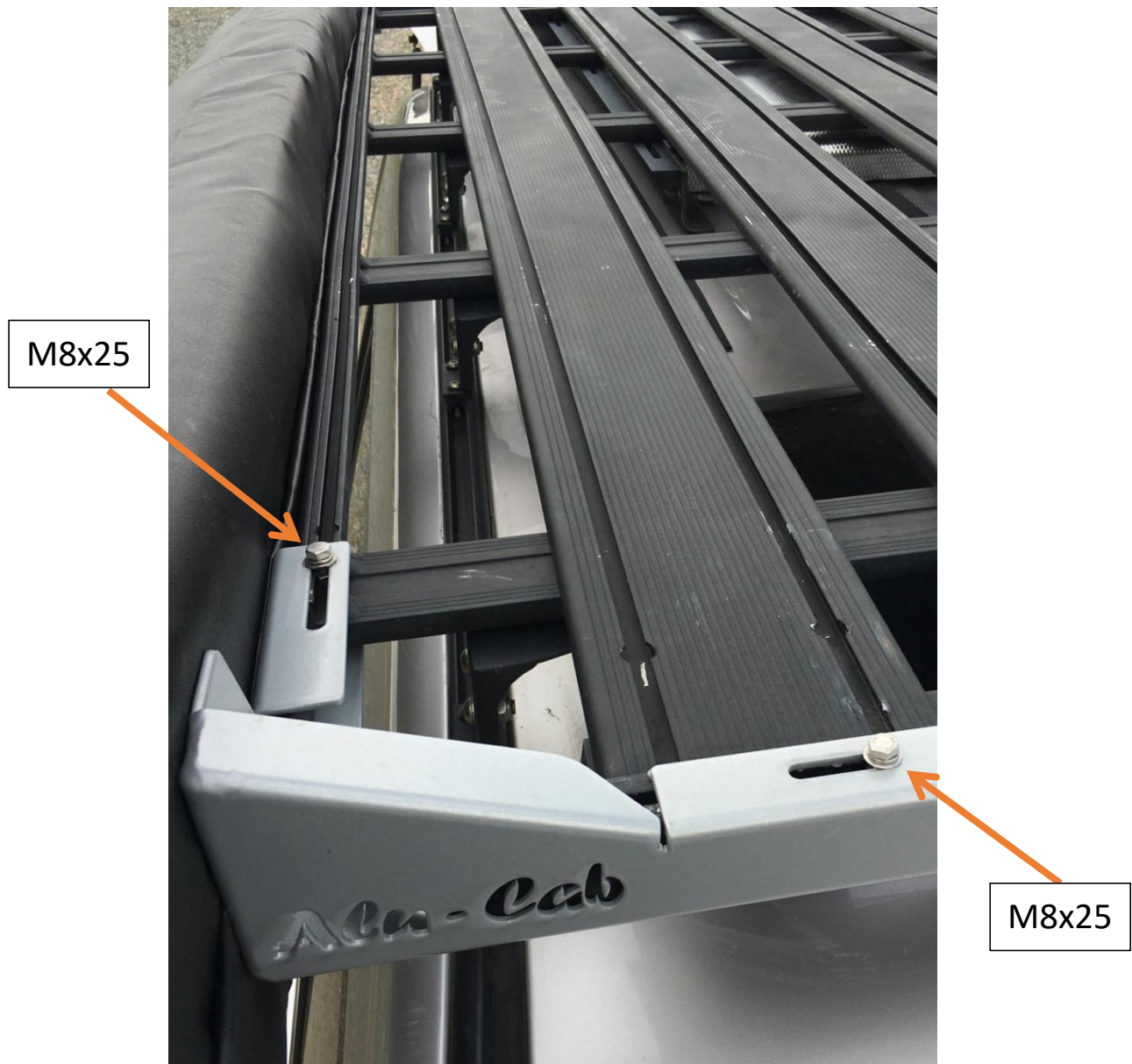


Premount and fasten the rear mounting bracket to the awning with the M8 fasteners supplied.



Premount and fasten the front mount to the drilled holes.

**Slide the nuts through the K-9 roof rack nut slot then slide the K-9 brackets onto the roof rack. Fasten the awning bracket with the M8 bolts supplied.**









**The K-9 brackets are universal and can be mounted either on the left or right side of the roof rack.**