

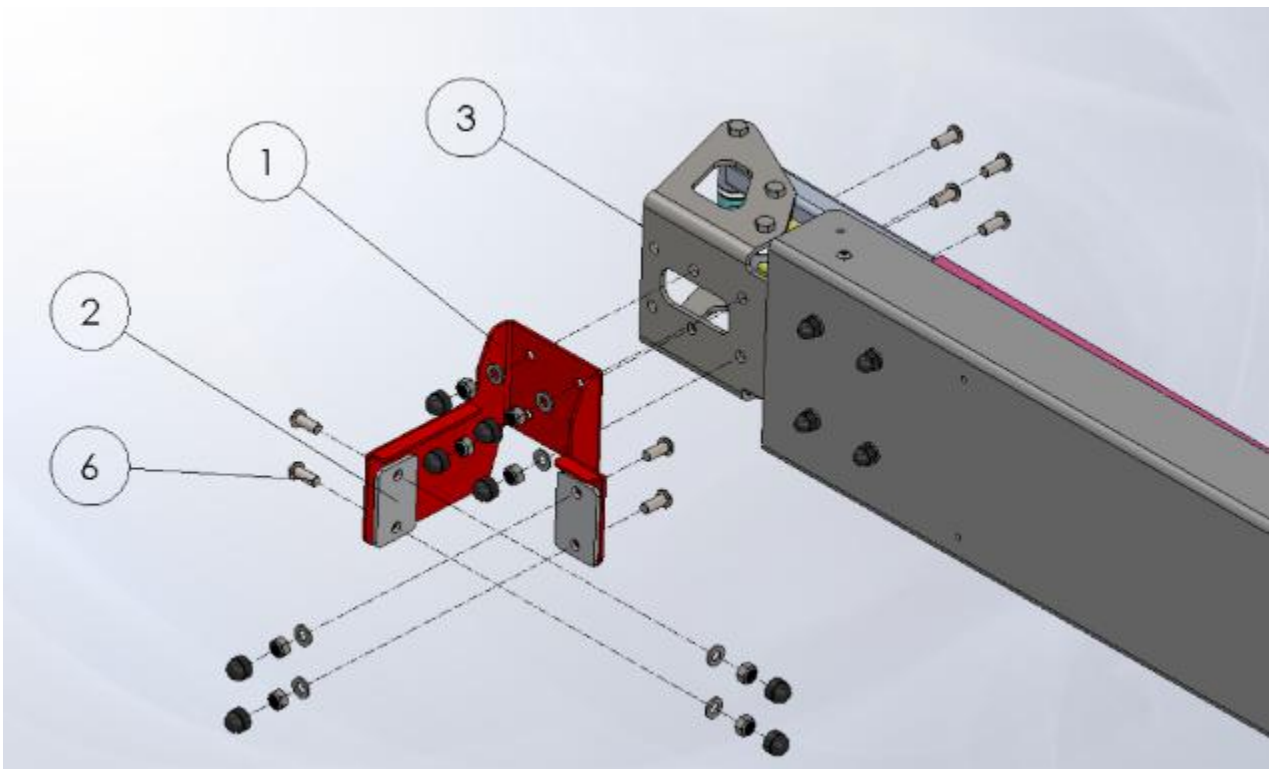


# Awning to Camper Fitment Instructions



## LIST OF COMPONENTS:

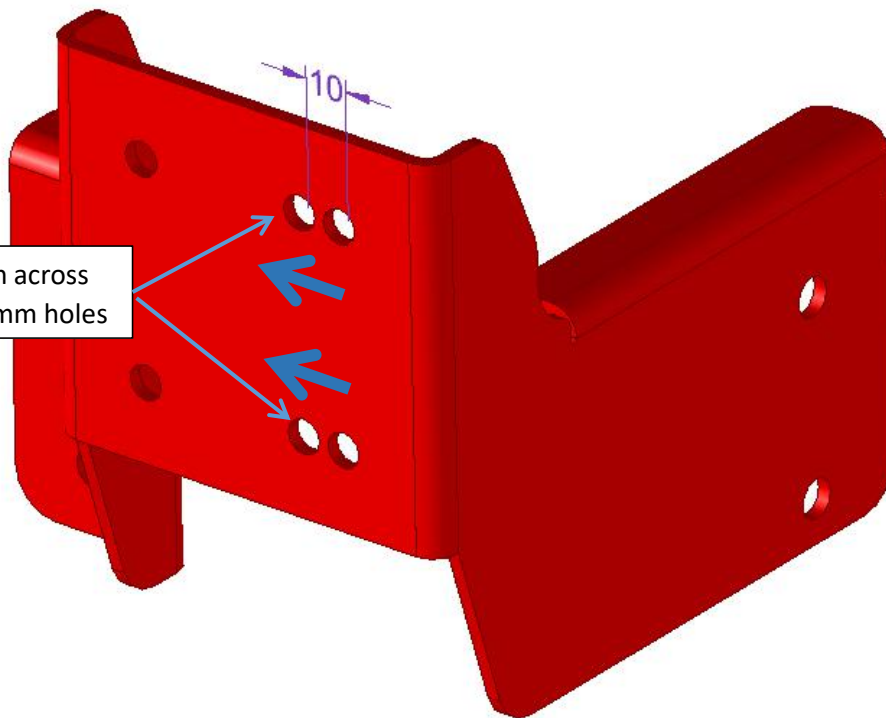
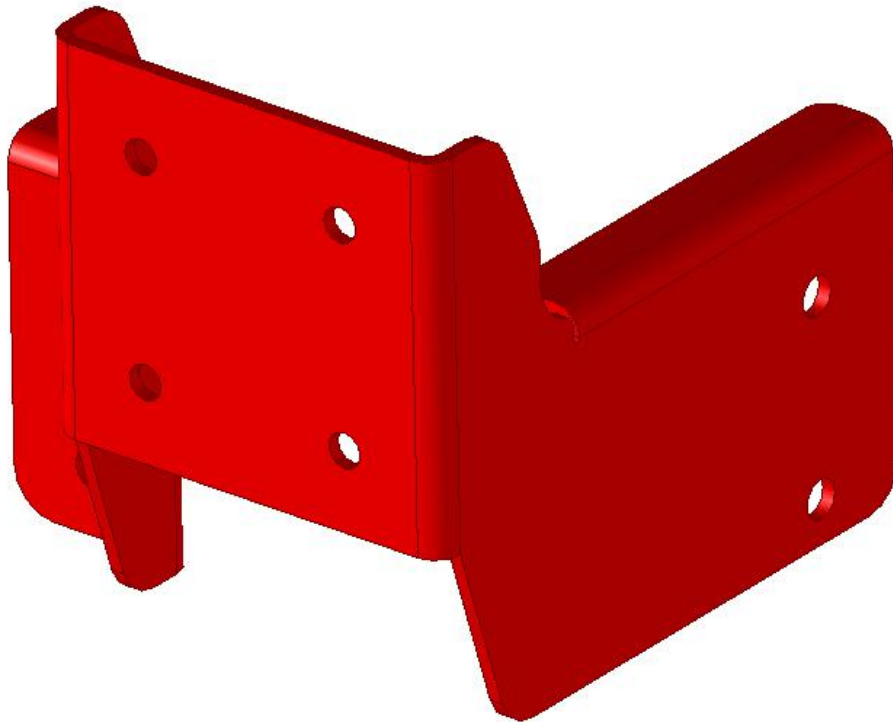
ITEM NO.	PART NUMBER	DESCRIPTION	QTY.
1	AWN-CPR-000-001	Rear Awning Bracket	1
2	AWN-CPR-000-003	Rear Awning backing plate	2
3	AWN-000-000 - V03	Shadow Awning	1
4	M8 Flat Washer	M8 Flat Washer	28
5	M8 Nyloc Nut	M8 Nyloc Nut	14
6	M8x20 button head screw	M8x20 button head screw	14
7	M8 Nut Cap	M8 plastic nut cap	14
8	AWN-CPR-000-002	Front Awning bracket	1
9	132-AWN-REIN-BRKT-01-00	Khaya Awning support brkt	1



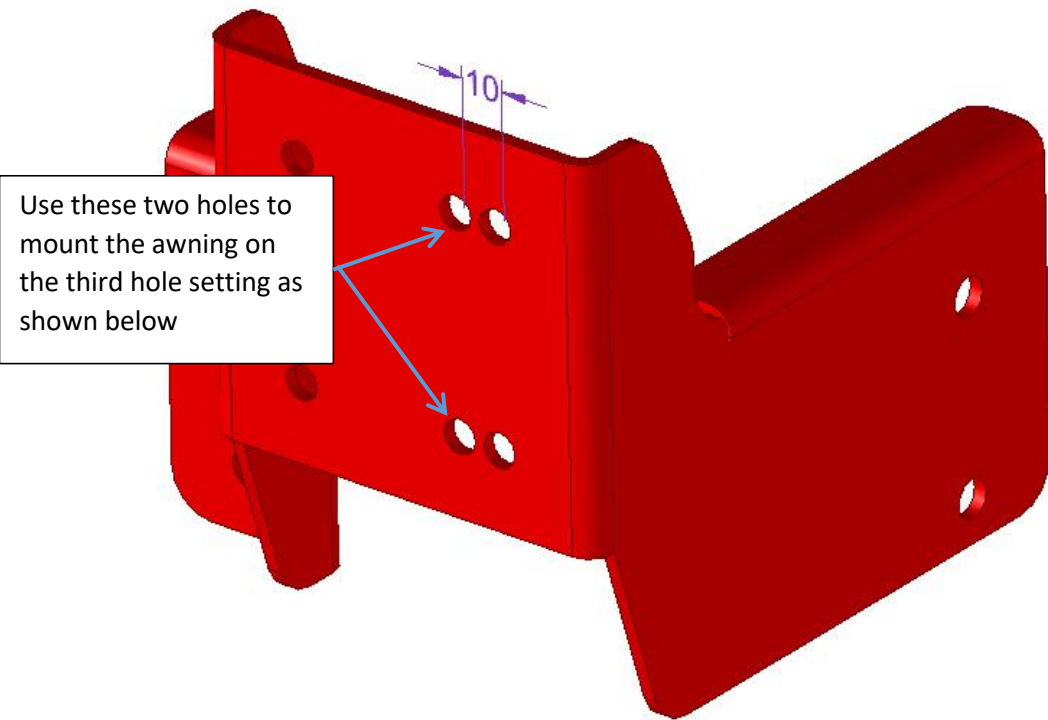
## DETAIL VIEW OF REAR AWNING BRACKET

**\*NOTE: Part Number 2 (AWN-CPR-000-003) is placed inside camper.**

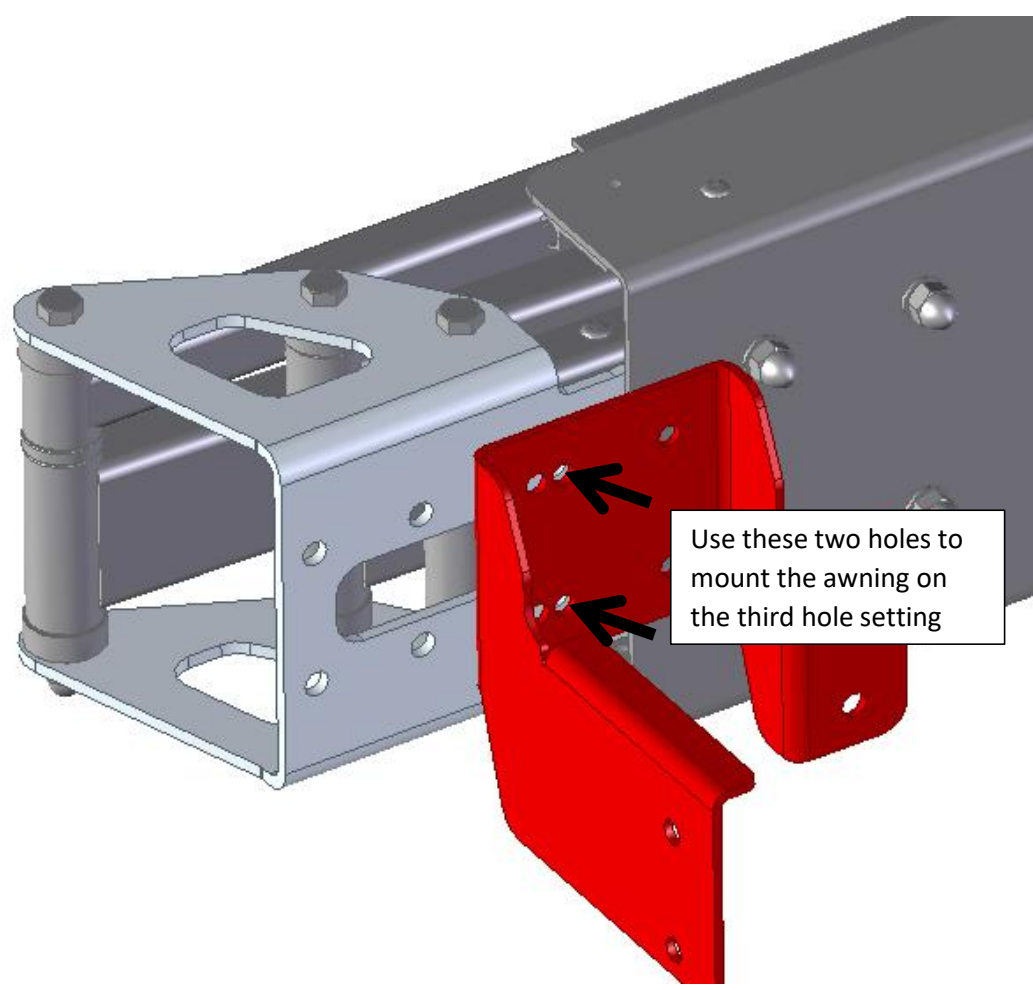
## REAR MOUNTING BRACKET



Measure 10mm across  
and drill two 8mm holes



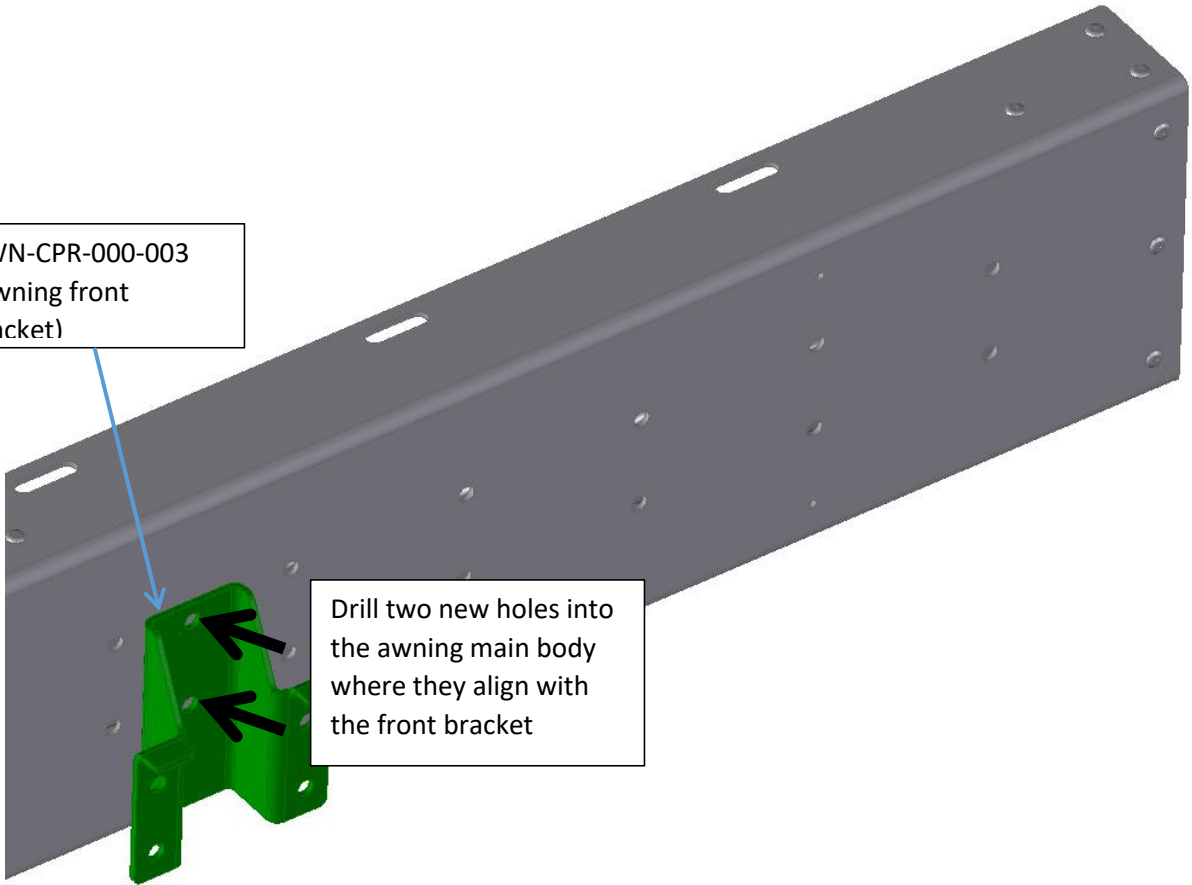
Use these two holes to mount the awning on the third hole setting as shown below



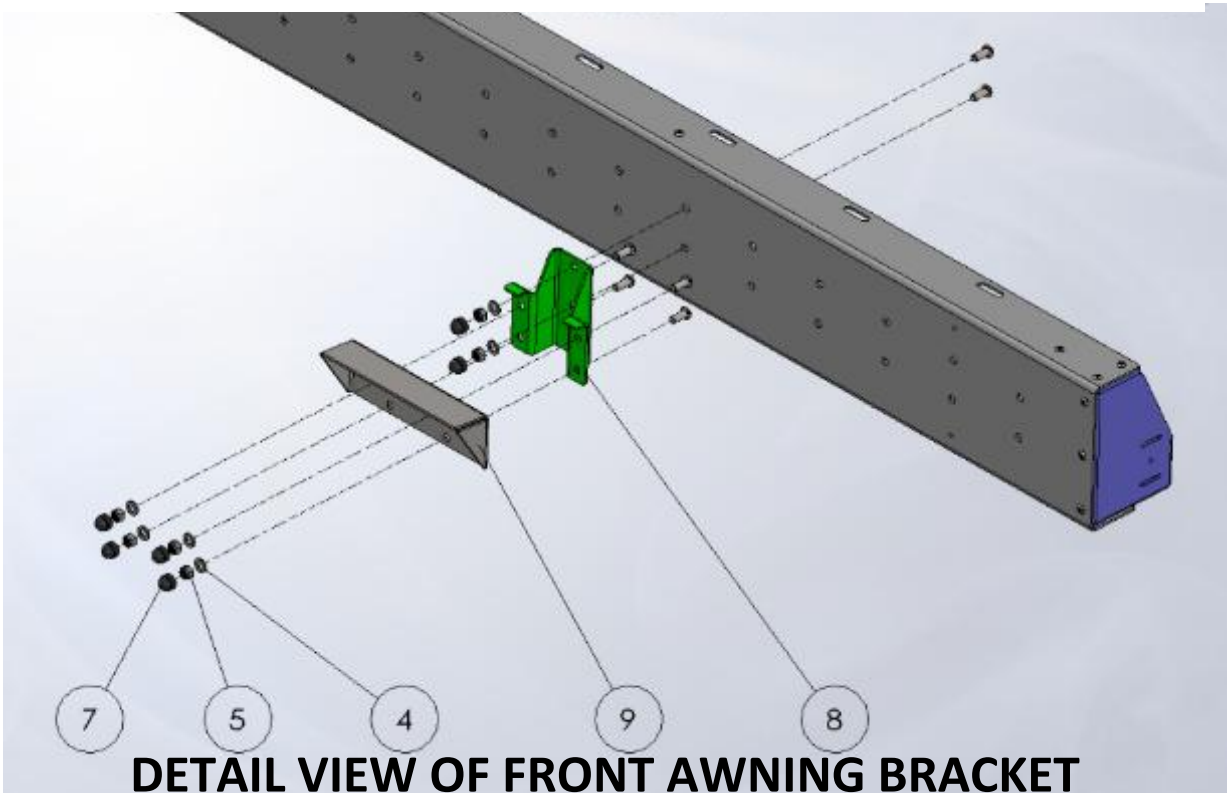
Use these two holes to mount the awning on the third hole setting

## FRONT MOUNTING BRACKET

AWN-CPR-000-003  
(Awning front  
bracket)



Drill two new holes into  
the awning main body  
where they align with  
the front bracket



### DETAIL VIEW OF FRONT AWNING BRACKET

\*NOTE: Part Number 9 (132-AWN-REIN-BRKT-01-00) is placed inside camper.