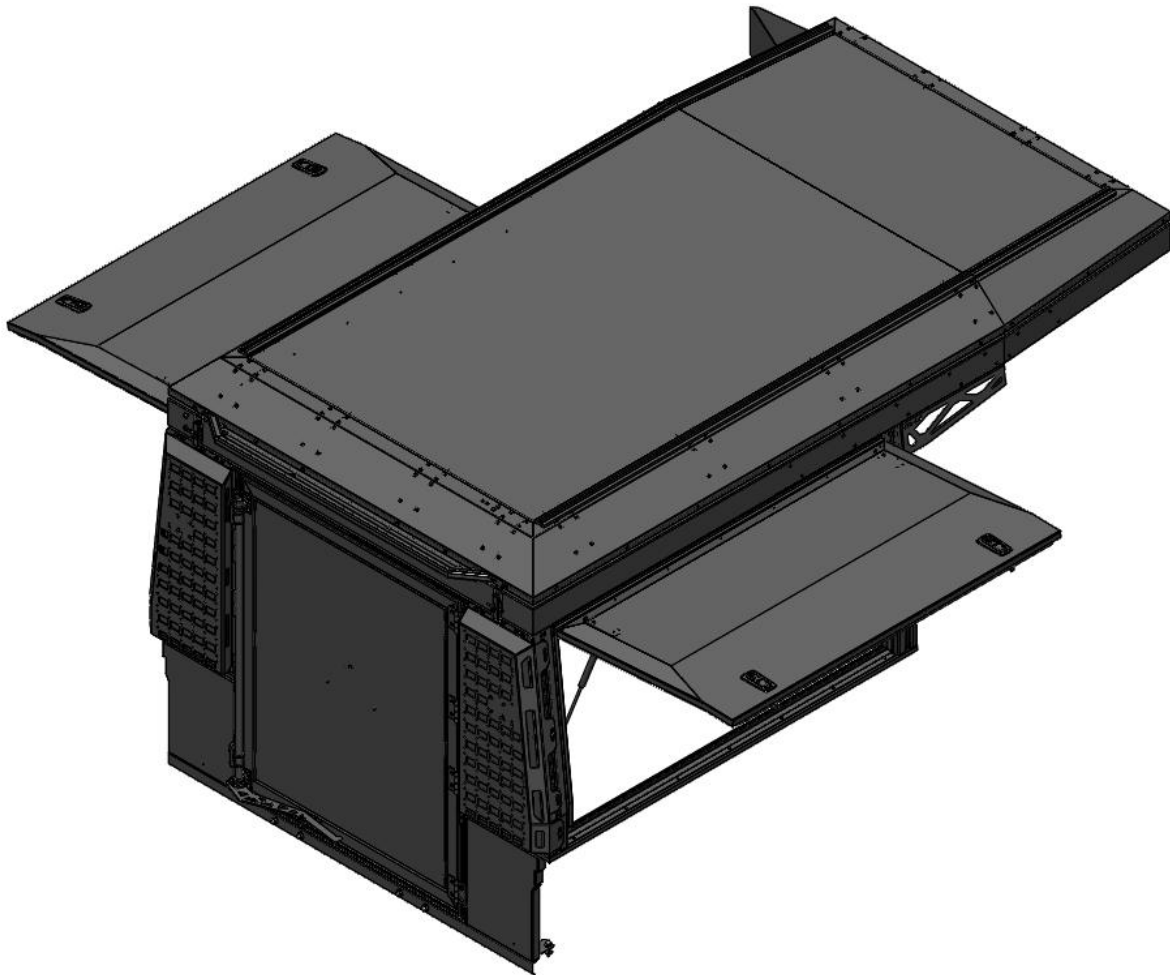


FITMENT INSTRUCTIONS

Alu-CabTM



CANOPY CAMPER TO TOYOTA LAND CRUISER DC & SC

All rights reserved. No part of this document may be reproduced, translated, stored in a retrieval system, or transmitted, in any form or by any means, electronic, mechanical, photocopying, recording or otherwise, without prior written permission of the owner.

Review all instructions information carefully before installation.

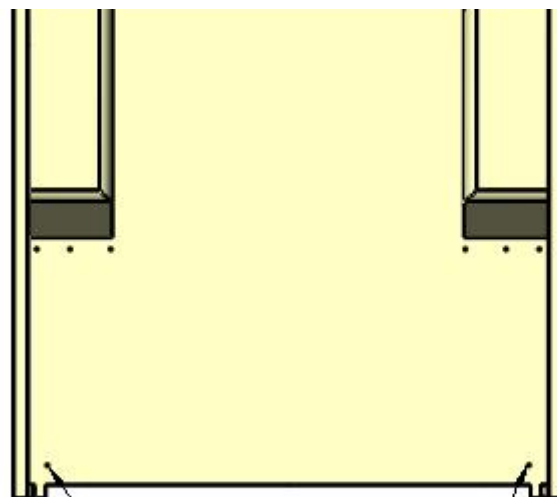
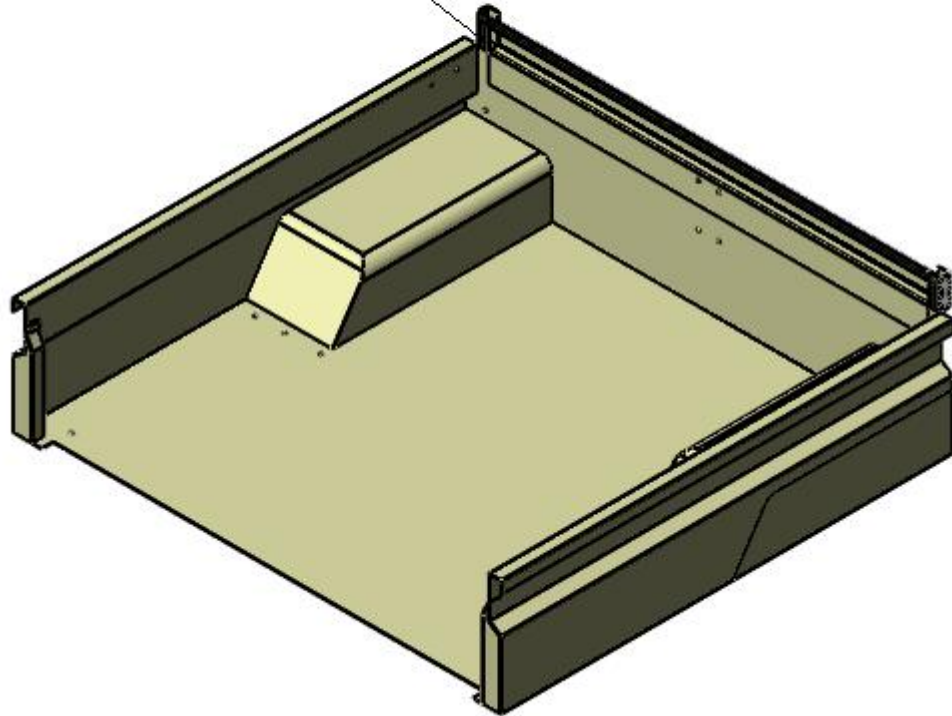
Any damages, direct or incidental to the installer and/or property due to incorrect installation of any parts are the responsibility of the installer. Due to the various applications and fitment options available, the responsibility lies with the user to ensure all mounting points are secure and tight before every trip. If unsure, consult with your Distributor regarding the operations of our products.

Users are advised to be mindful of the load they are carrying and drive in accordance with road conditions.

DISCLAIMER

Alu-Cab

FIT ABAND/PSA FOAM
ALL AROUND LOAD BIN
AS SHOWN TO SEAL
FRONT OF CANOPY CAMPER



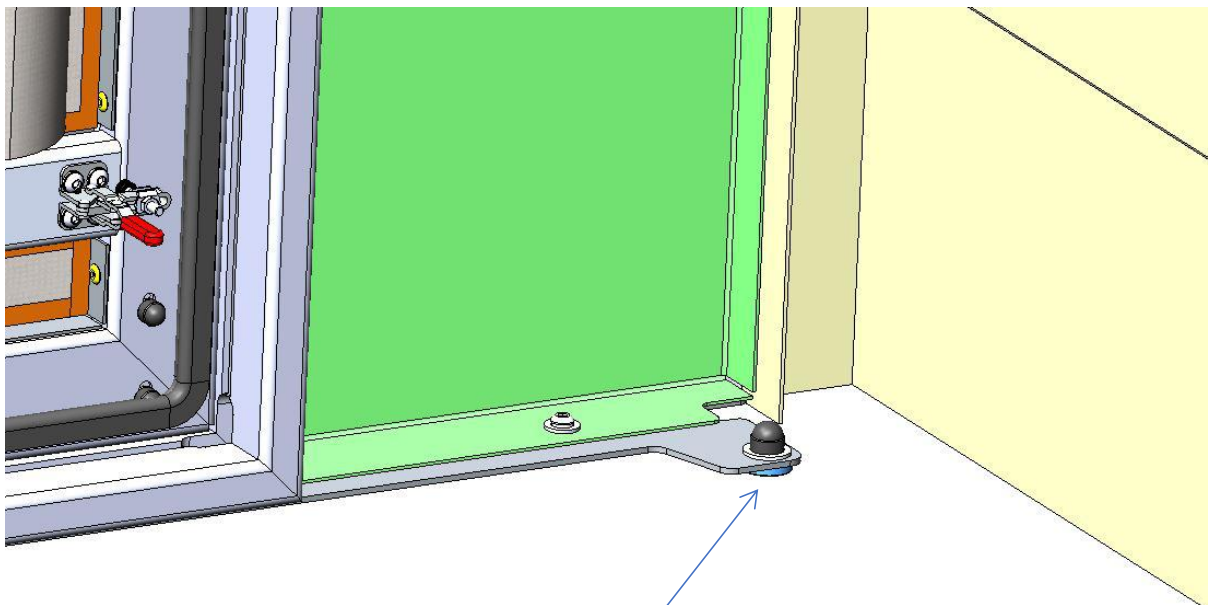
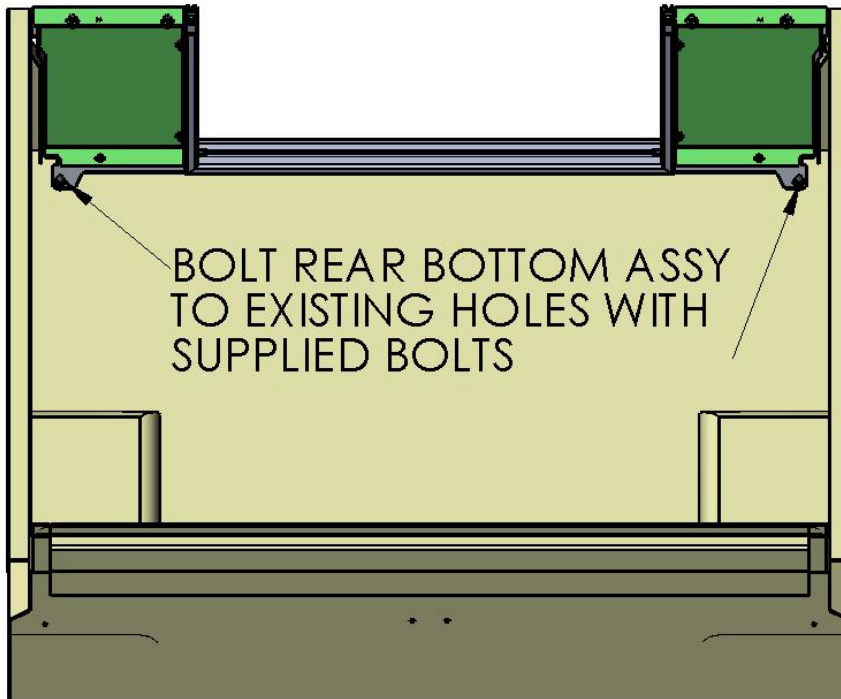
REMOVE EXISTING BOLTS
FROM LOAD BIN



WARNING

Always wear appropriate PPE (Personal protection equipment) when fitting this product. Although the mounting kit is designed to be DIY, if you have any doubts or concerns, contact an accredited fitment centre to carry out the work. Alu-Cab will not be liable for any injury to persons, and/or damage to products and/or vehicles.

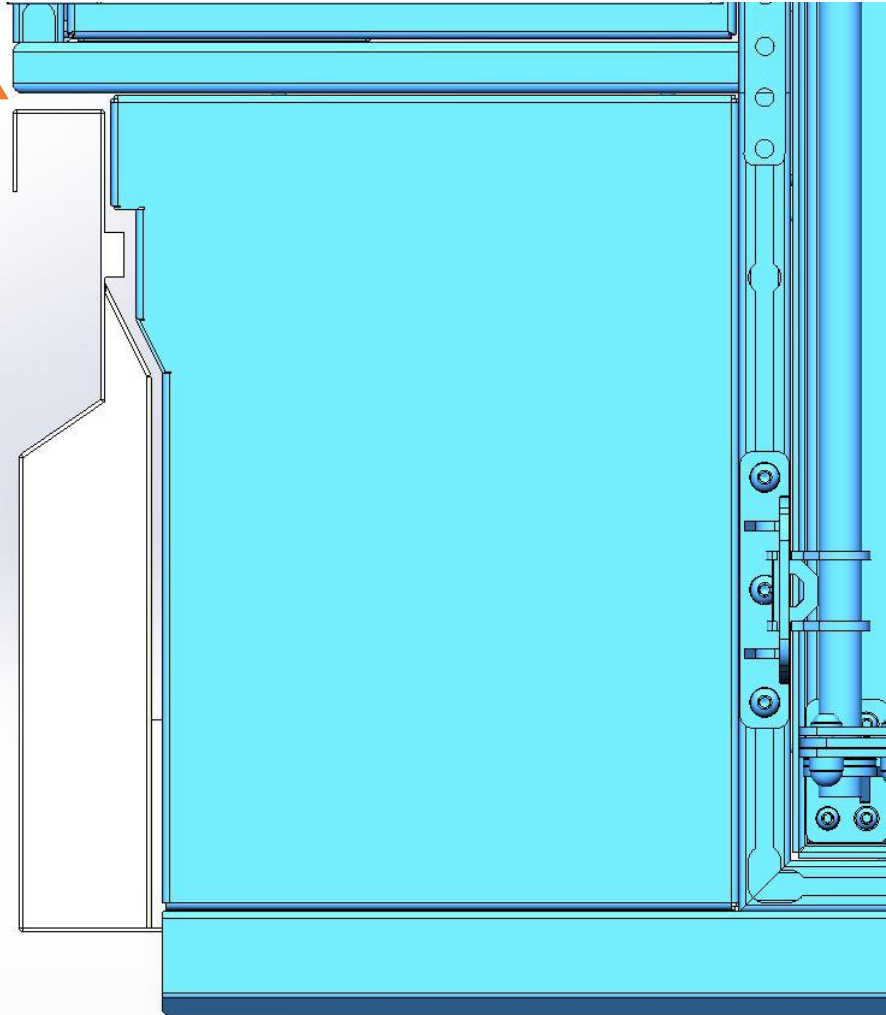
Roll bar and spare wheel bracket needs to be removed.

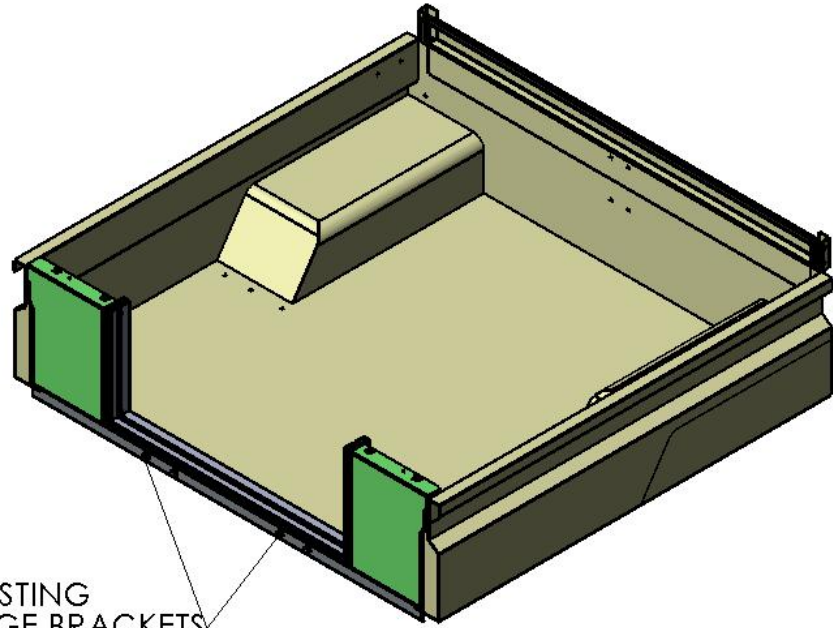


5mm nylon spacer (AWN-000-004)

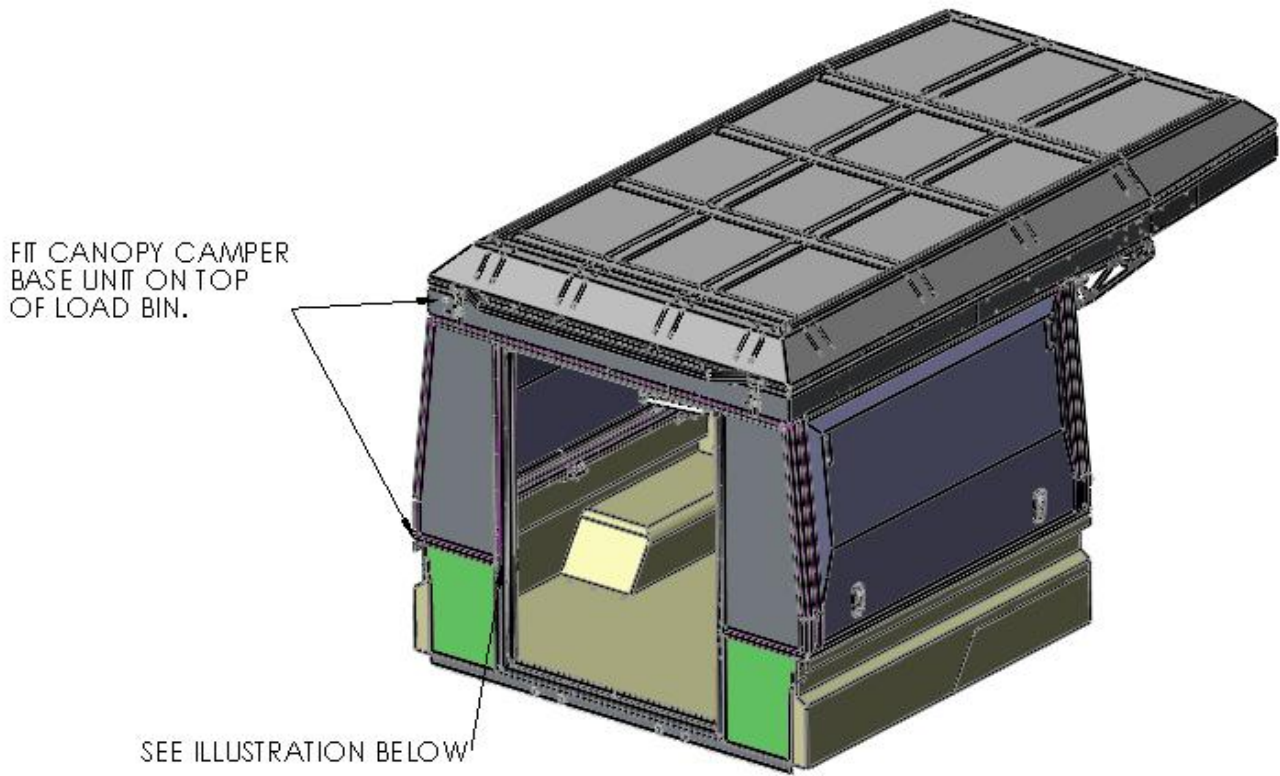
The 5mm spacer (AWN-000-004) elevates the filler panel and creates a $\pm 5\text{mm}$ gap between the load bin and camper which is sealed with the supplied D-Rubber

5mm gap
between load bin
lip and camper





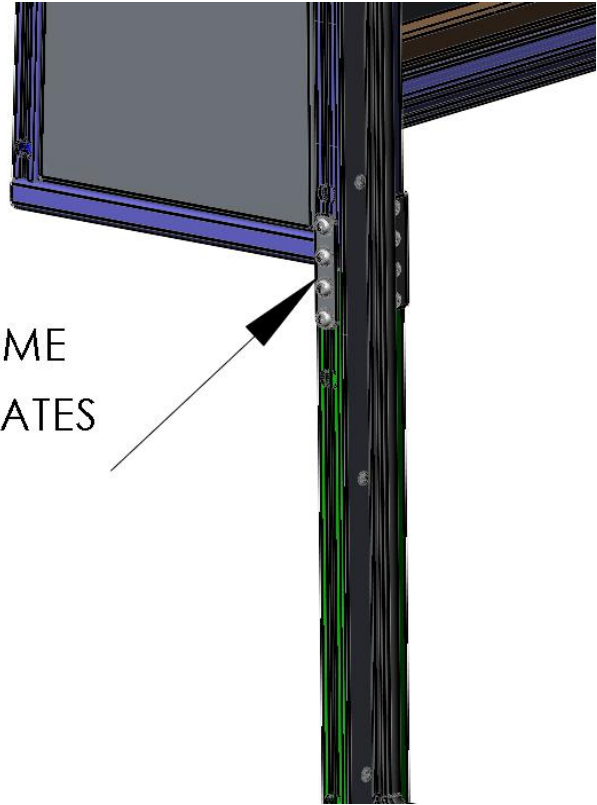
BOLT x4 TO EXISTING
TAIL GATE HINGE BRACKETS



FIT CANOPY CAMPER
BASE UNIT ON TOP
OF LOAD BIN.

SEE ILLUSTRATION BELOW

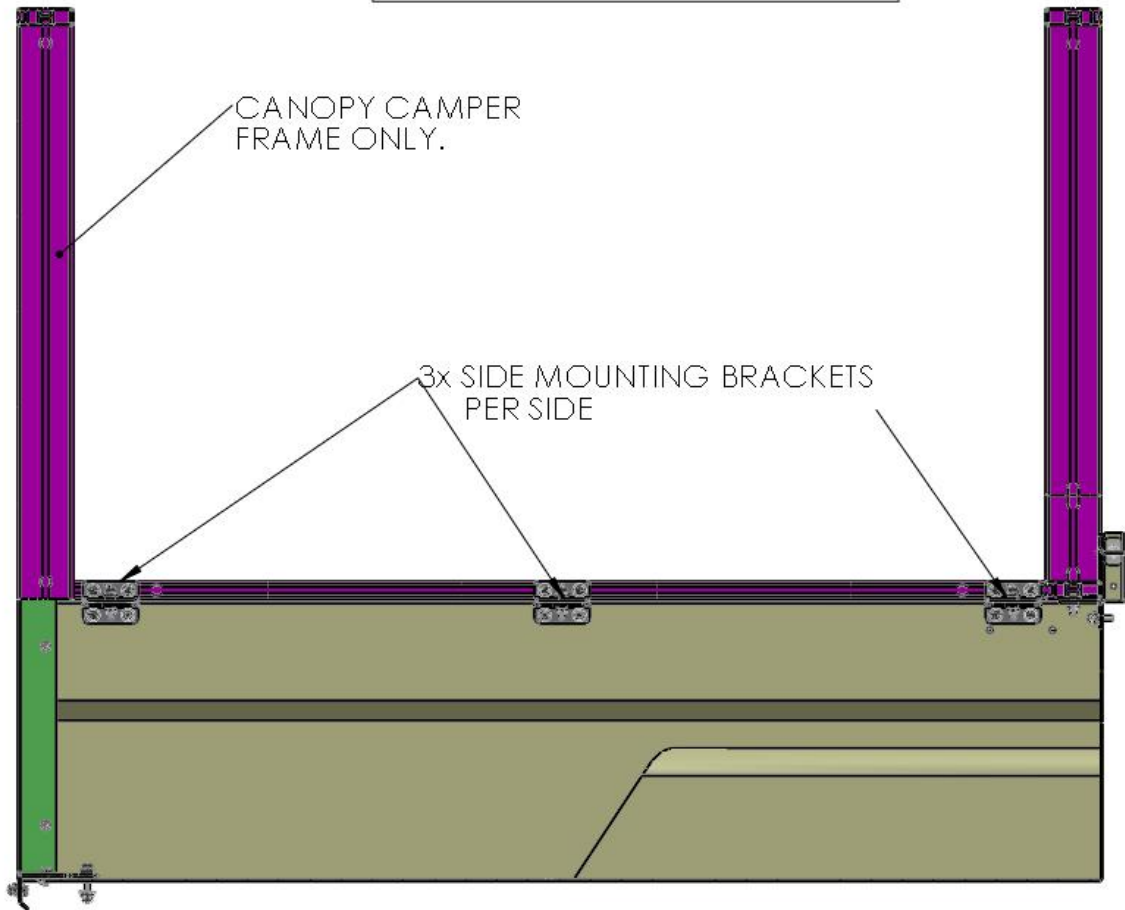
BOLT TOGETHER
BASE UNIT AND LOWER FRAME
USING THE CONNECTOR PLATES
SHOWN ON THE OUTSIDE

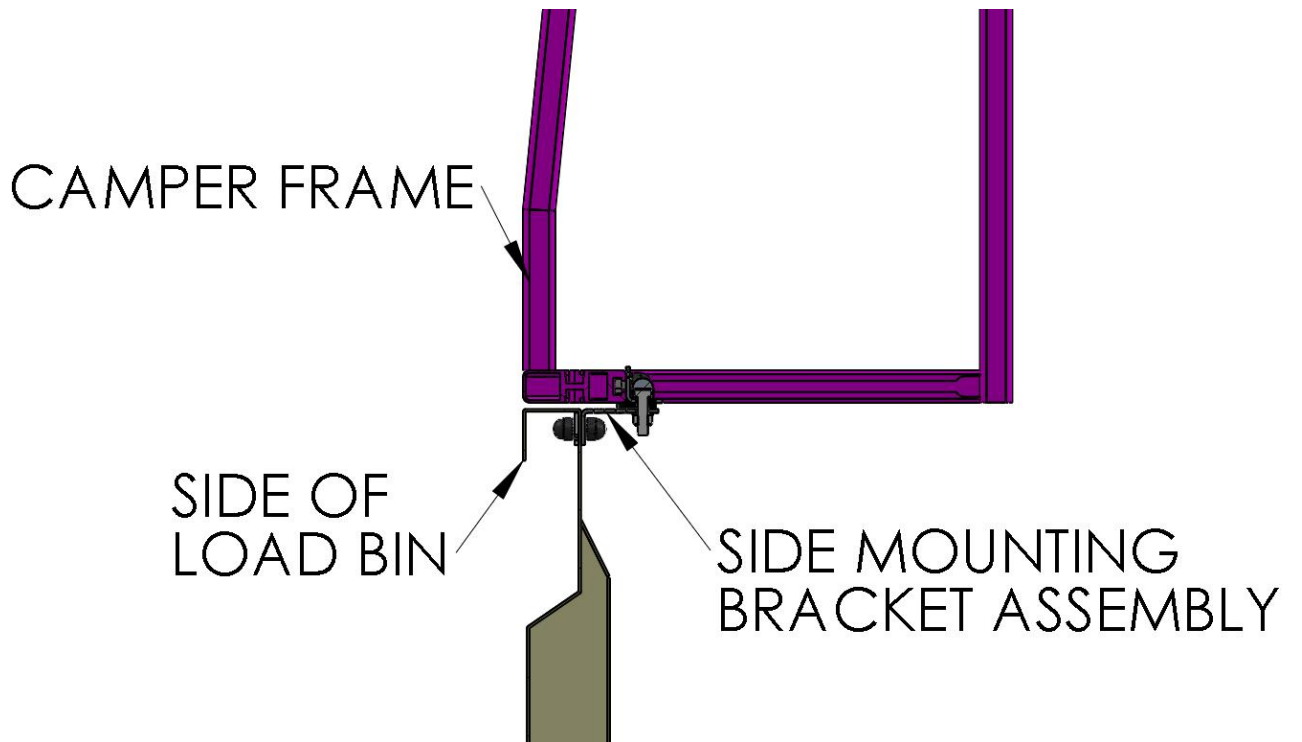


Do the above on both joints.

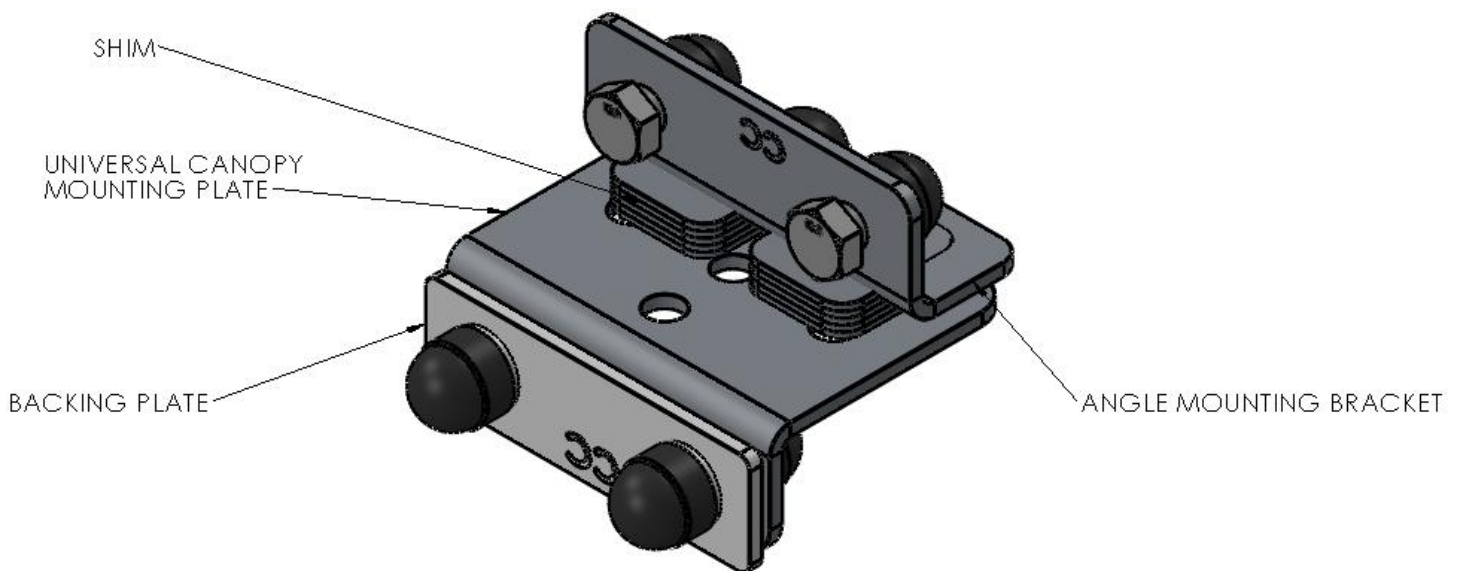
Once camper is aligned correctly it must be mounted to the load bin in 11 positions for the SC and 9 positions for DC as shown below.

CROSS SECTION OF
CANOPY CAMPER AND LOAD BIN

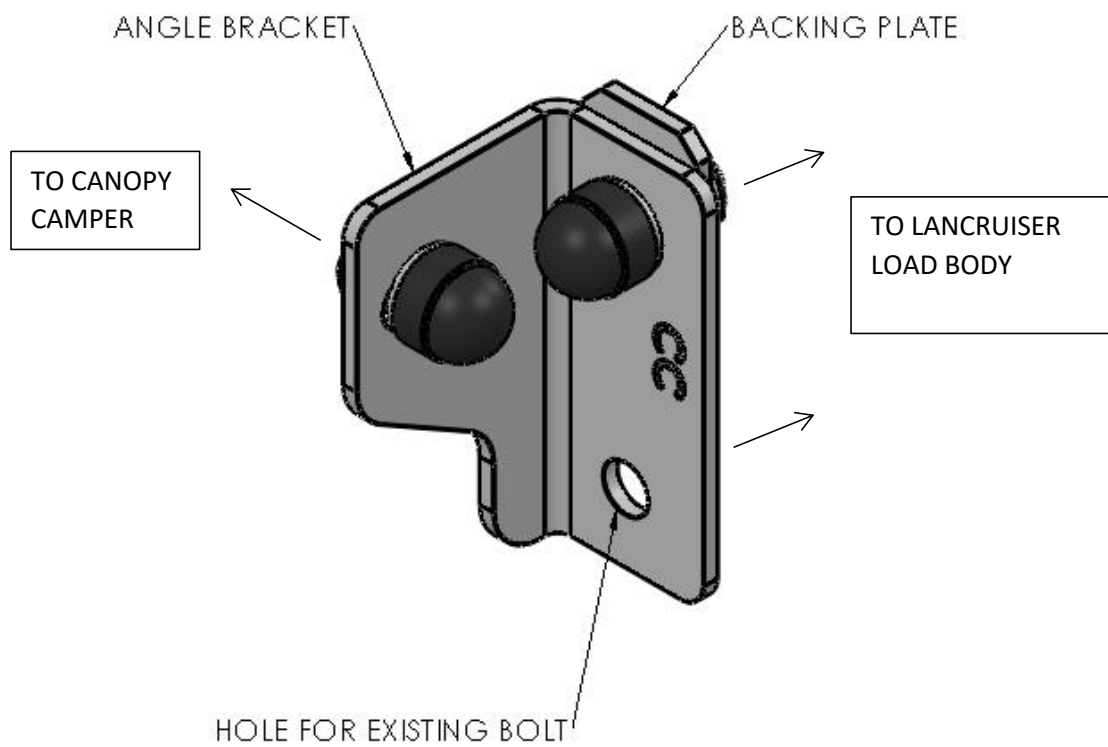
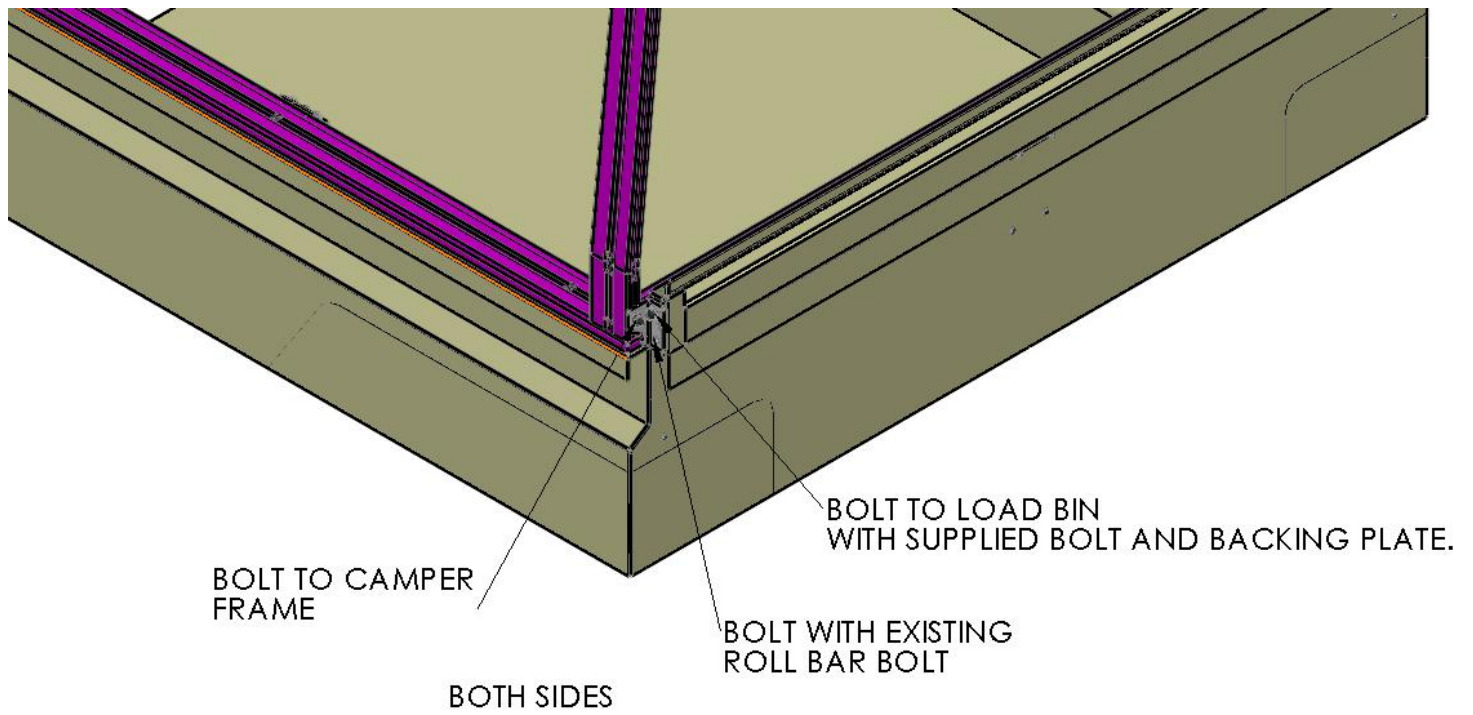




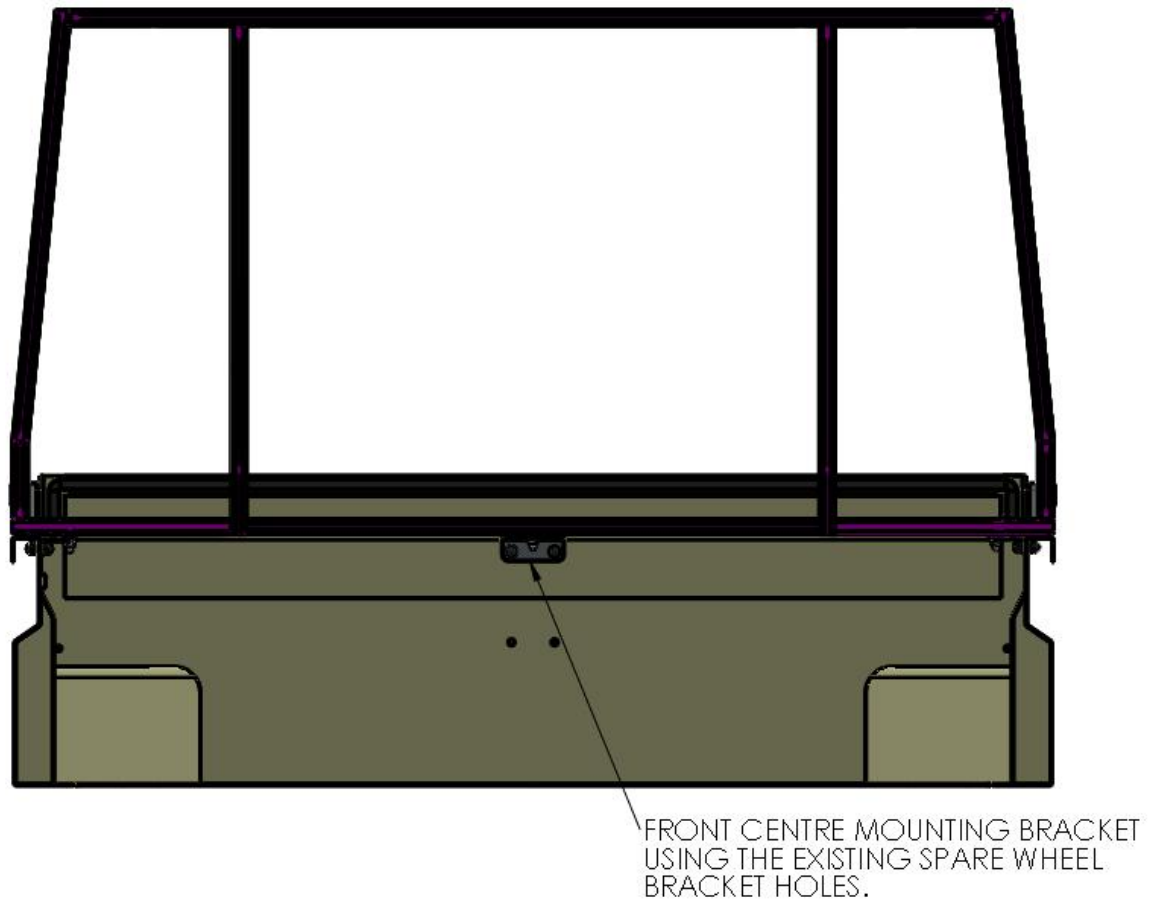
Side Mounting Bracket assembly with fasteners supplied. 6 sets for the DC and 8 sets for the SC.



Front mounting assembly.



The image below shows the mounting bracket position on DC, the SC position is slightly offset.



Cross section of centre mount.

