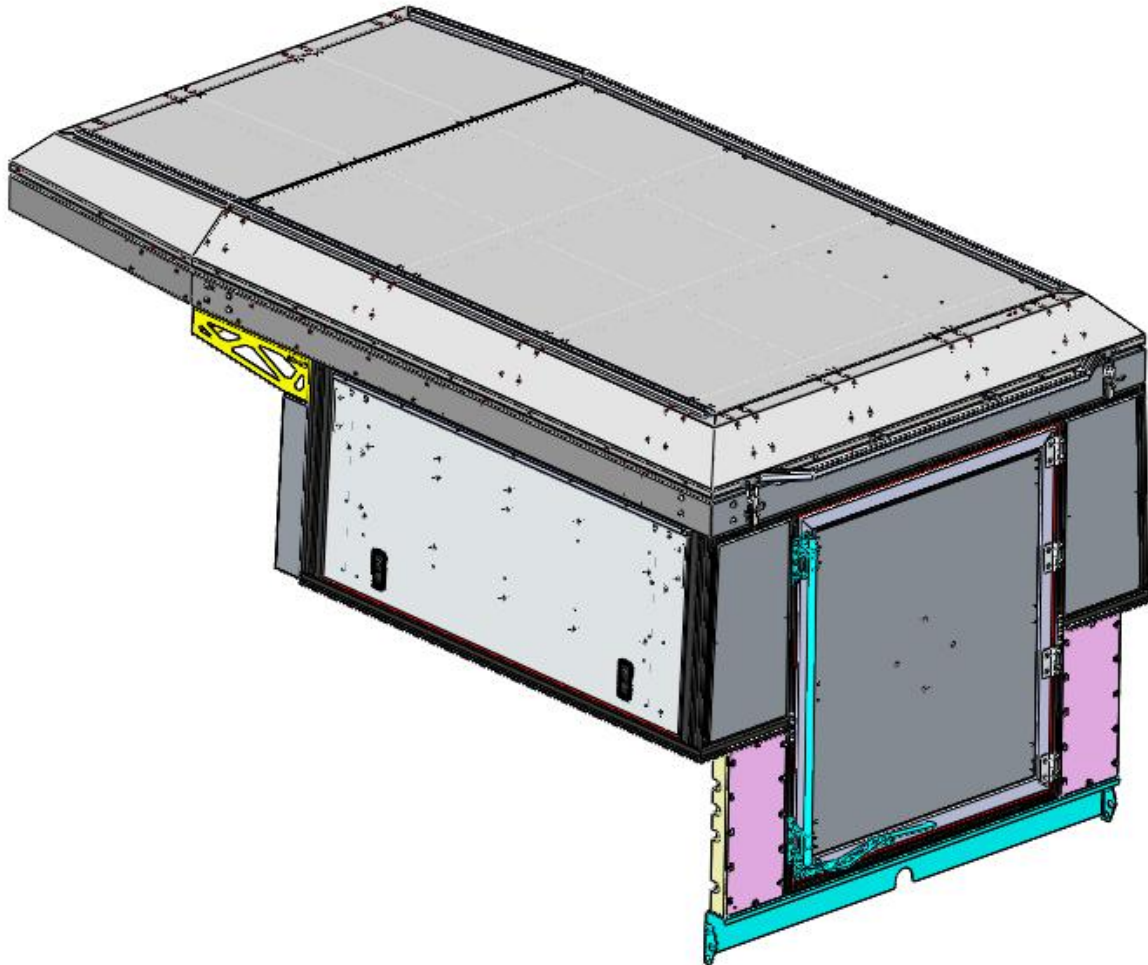


FITMENT INSTRUCTIONS

Alu-CabTM



CHEVROLET COLORADO CANOPY CAMPER

All rights reserved. No part of this document may be reproduced, translated, stored in a retrieval system, or transmitted, in any form or by any means, electronic, mechanical, photocopying, recording or otherwise, without prior written permission of the owner.

Review all instructions information carefully before installation.

Any damages, direct or incidental to the installer and/or property due to incorrect installation of any parts are the responsibility of the installer. Due to the various applications and fitment options available, the responsibility lies with the user to ensure all mounting points are secure and tight before every trip. If unsure, consult with your Distributor regarding the operations of our products.

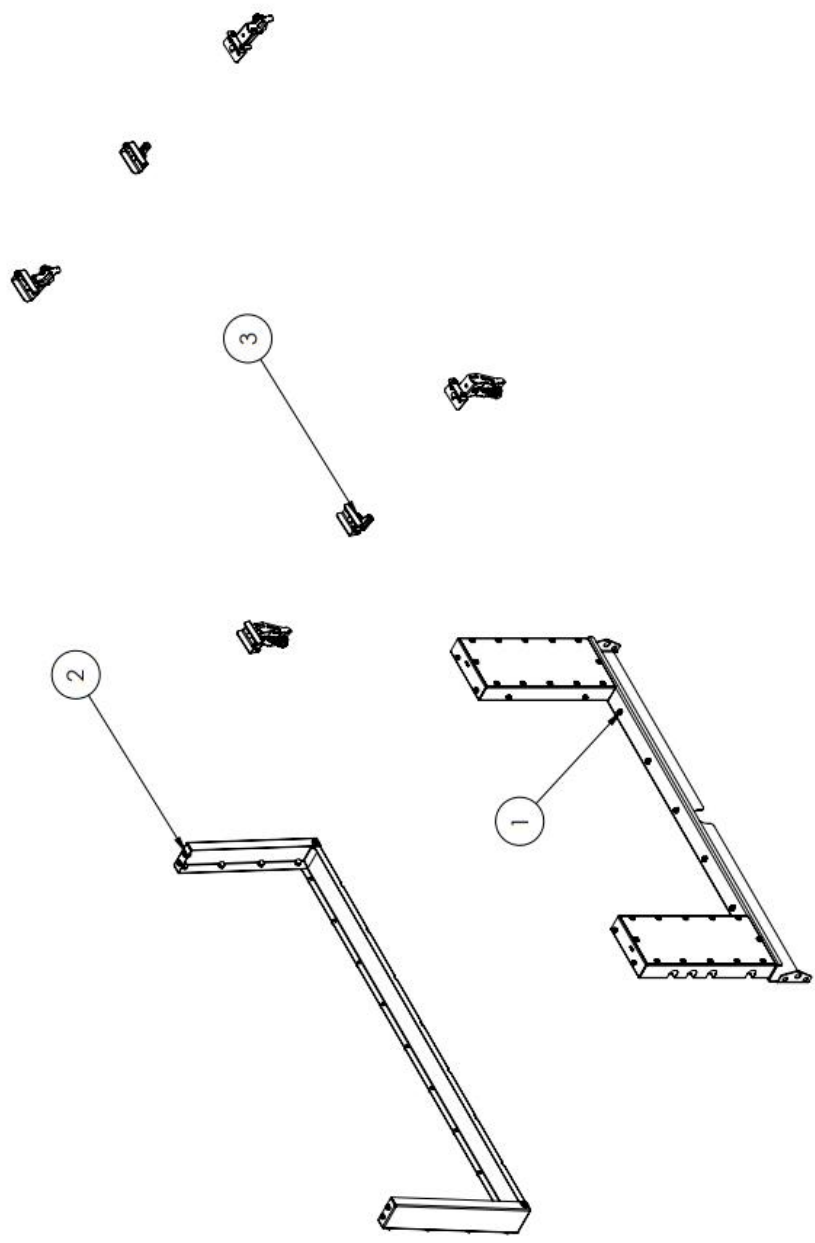
Users are advised to be mindful of the load they are carrying and drive in accordance with road conditions.

DISCLAIMER

Alu-Cab

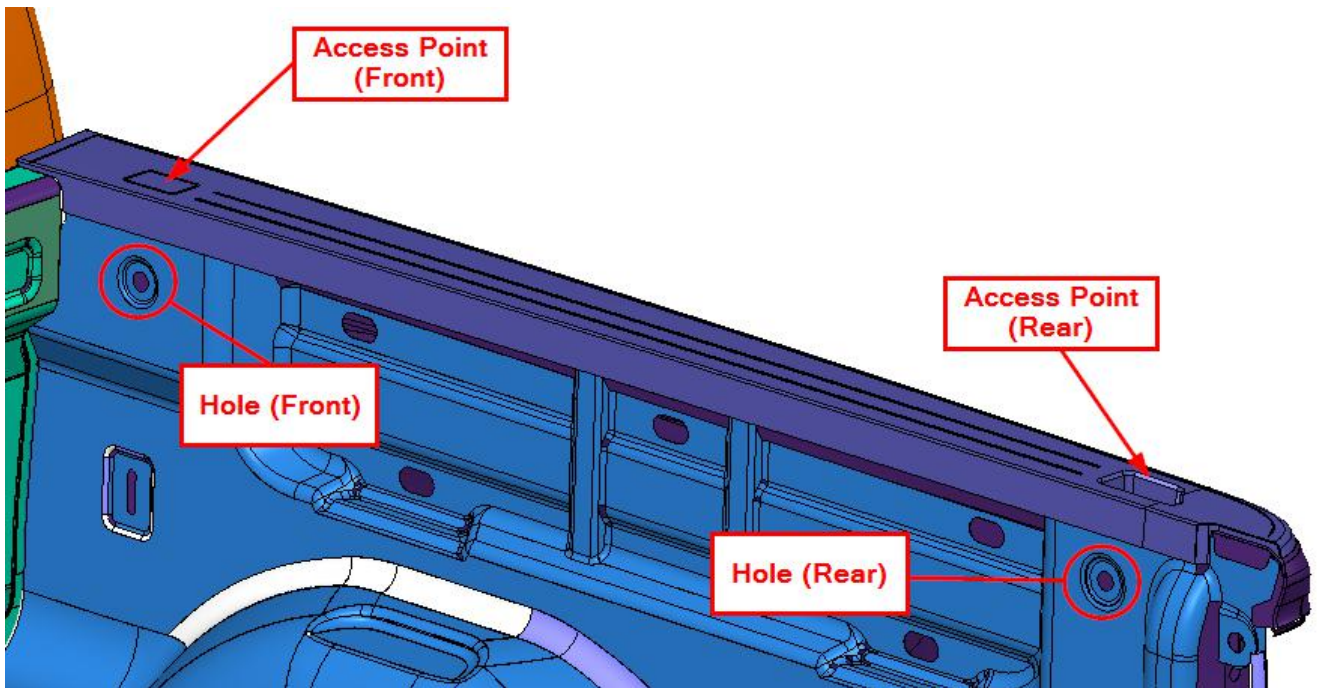
Mounting & Filler Kit - Component Identification

ITEM NO.	PART NUMBER	DESCRIPTION	QTY.
1	162-CHEV-DC-RER-FILLER-KIT-ASSY-01-00	CHEV COMPONENTS ASSEMBLY	1
2	162-TAC-FNT-FILLER-KIT-ASSY-01-00	TAC FRONT COMPONENT ASSEMBLY	1
3	MOUNTING BRACKETS ASSY	MOUNTING BRACKETS ASSY	1



Important Note - Load Bin Preparation:

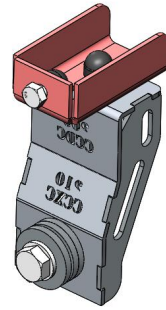
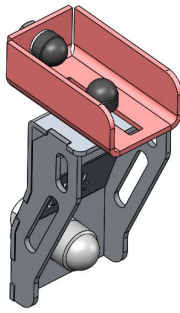
The first step in this installation, is to gain access to the load bin holes, to be used for attaching the mounting brackets, shown in the image below.



The front and rear mounting brackets must be installed at this stage, as there will be no access to the fasteners once the Canopy Camper is seated on the load bin.

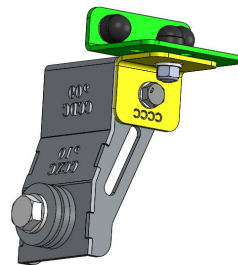
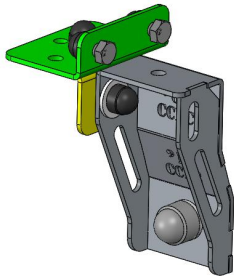
Take note of the sub-assemblies, shown on the next page, components from these sub-assemblies will be needed at this initial stage.

Rear Mounting Bracket Sub-Assembly (2 supplied in Mounting Kit)



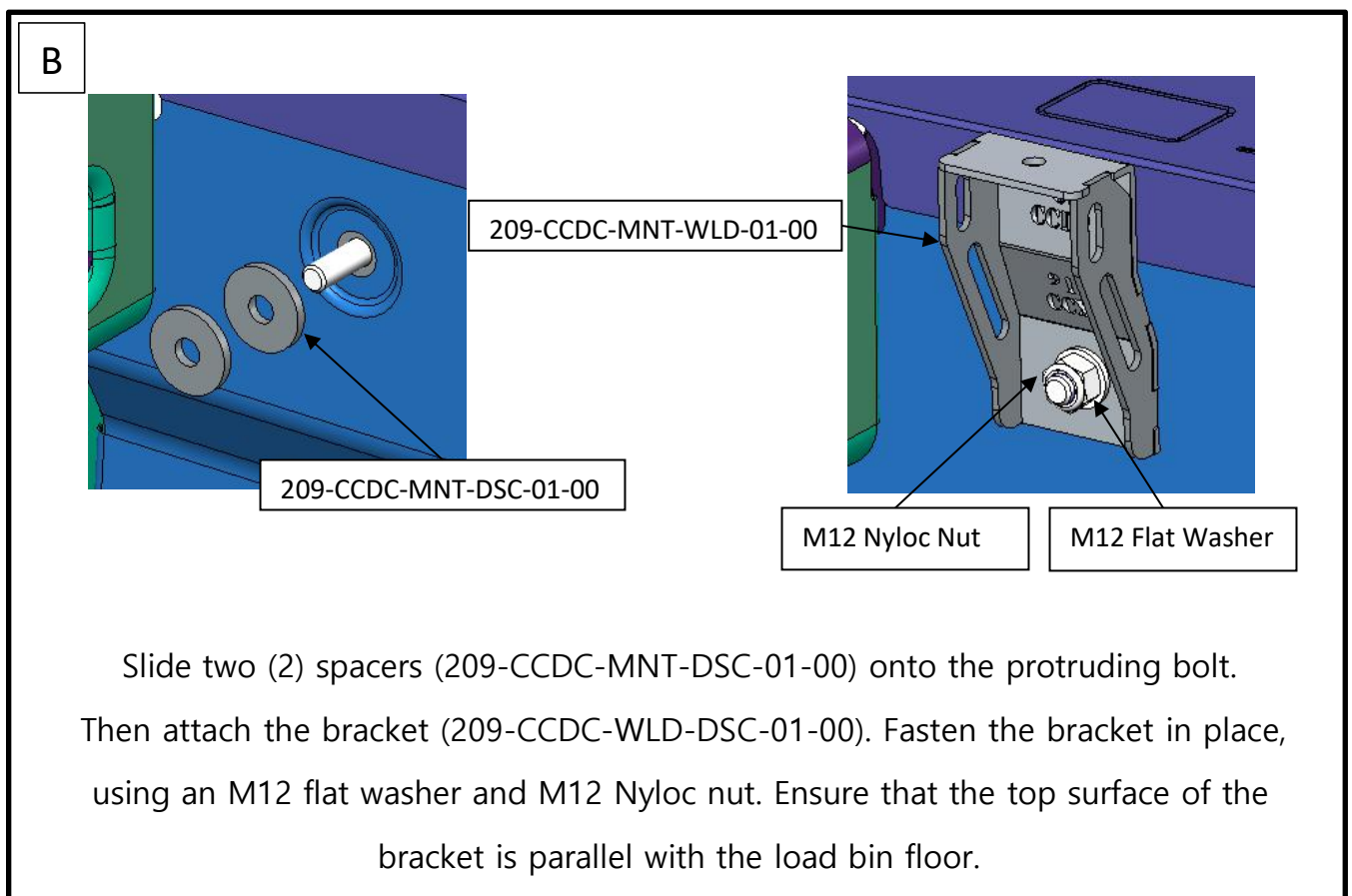
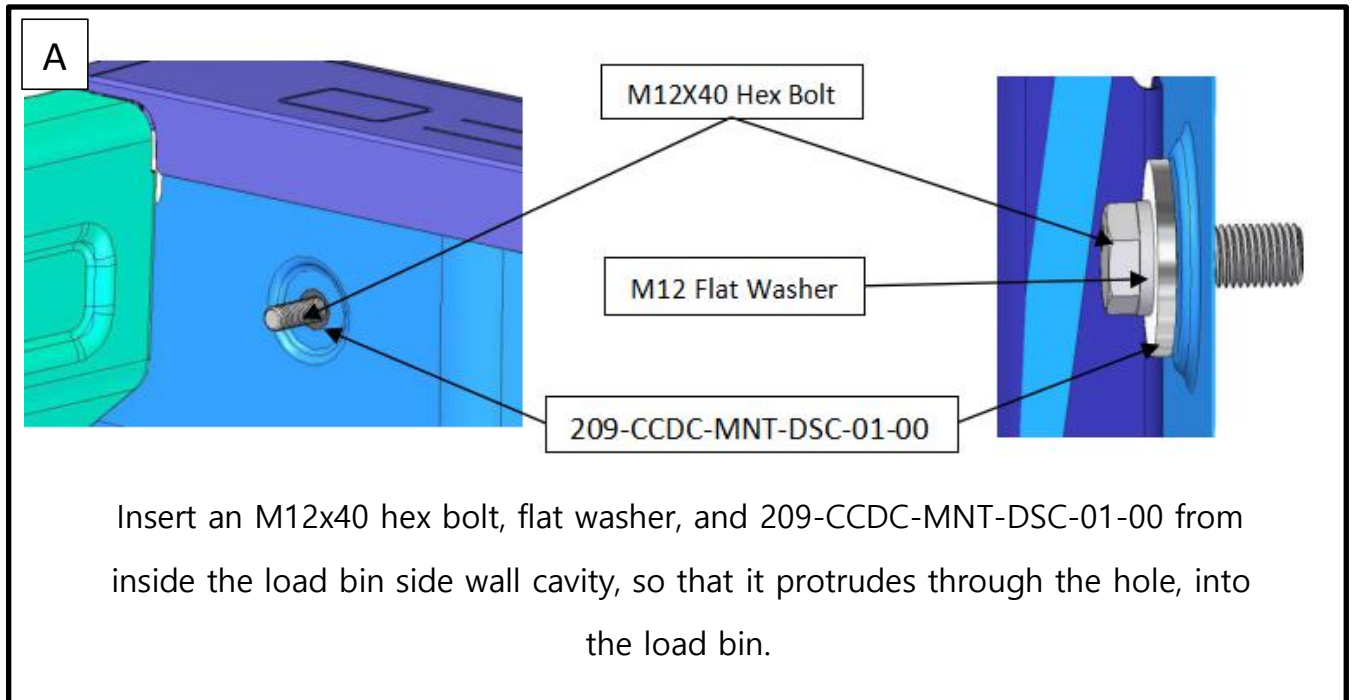
ITEM NO.	PART NUMBER	DESCRIPTION	MATERIAL	QTY.
1	209-CCDC-MNT-BRK-01-00	MOUNTING BRACKET	AISI 304 (3mm)	1
2	209-CCDC-MNT-DSC-01-00	MOUNTING BRACKET DISC	AISI 304 (4mm)	3
3	209-CCDC-MNT-BRK-02-00	MOUNTING BRACKET SIDE	AISI 304 (3mm)	2
4	TT-2016-TOP-MNT-BRKT-01-00	TOP MOUNTING BRACKET	AISI 304 (3mm)	1
5	M12 Flat Washer	Flat Washer	AISI 316	2
6	M12 Nut Cap	Plastic Nut Cap	PE Low/Medium Density	1
7	M12x40 Hex Head Bolt	Hex Head Bolt	AISI 316	1
8	M12 Nyloc Nut	Nyloc Nut	AISI 316	1
9	M8 Nut Cap	Plastic Nut Cap	PE Low/Medium Density	3
10	DIN 125 M8 Flat Washer	Flat Washer	AISI 316	2
11	DIN 985 M8 Nyloc Nut	Nyloc Nut	AISI 316	2
12	M8x20 Hex Head Bolt	Hex Head Bolt	AISI 316	2

Front Mounting Bracket Sub-Assembly (2 supplied in Mounting Kit)

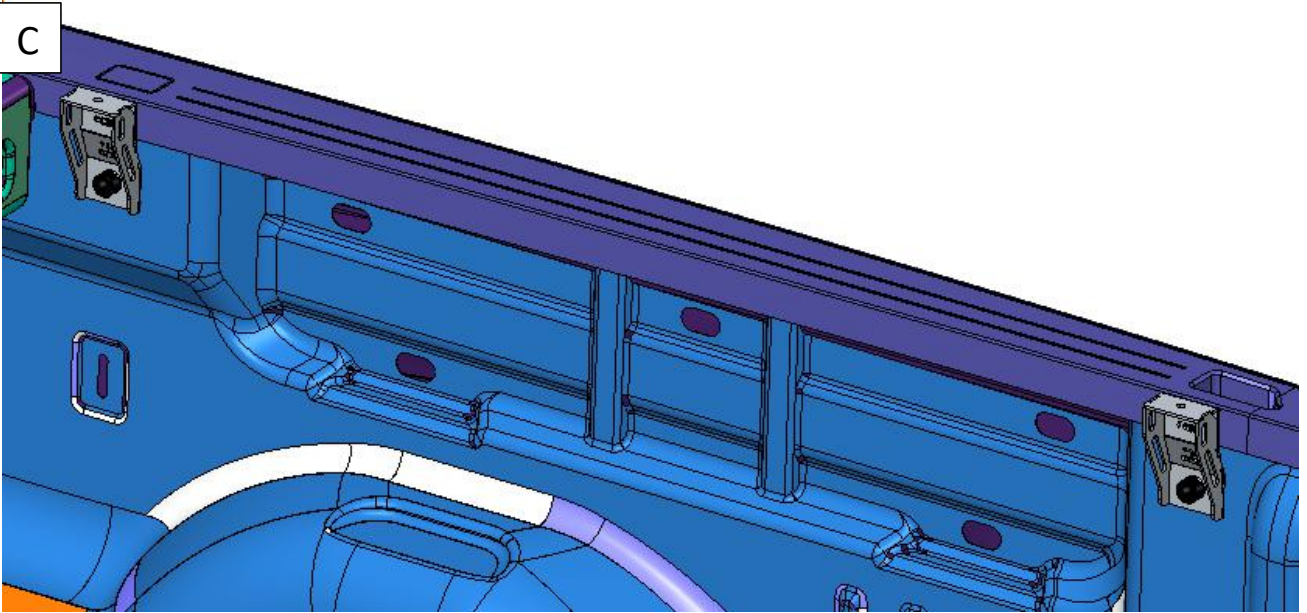


ITEM NO.	PART NUMBER	DESCRIPTION	MATERIAL	QTY.
1	209-CCDC-MNT-BRK-01-00	MOUNTING BRACKET	AISI 304 (3mm)	1
2	209-CCDC-MNT-DSC-01-00	MOUNTING BRACKET DISC	AISI 304 (4mm)	3
3	209-CCDC-MNT-BRK-02-00	MOUNTING BRACKET SIDE	AISI 304 (3mm)	2
4	DIN 9021 M8x24 Flat Washer	Flat Washer	AISI 316	1
5	M12 Flat Washer	Flat Washer	AISI 316	2
6	M12 Nut Cap	Plastic Nut Cap	PE Low/Medium Density	1
7	M12x40 Hex Head Bolt	Hex Head Bolt	AISI 316	1
8	M12 Nyloc Nut	Nyloc Nut	AISI 316	1
9	162-CHEV-CC-FNT-MNT-BRKT-01-00	FRONT MOUNTING BRACKET	AISI 304 (3mm)	1
10	Universal Canopy Mount Bracket REV A	CANOPY MOUNTING BRACKET	AISI 304 (3mm)	1
11	DIN 125 M8 Flat Washer	Flat Washer	AISI 316	5
12	M8x20 Hex Head Bolt	Hex Head Bolt	AISI 316	4
13	DIN 985 M8 Nyloc Nut	Nyloc Nut	AISI 316	4
14	M8 Nut Cap	Plastic Nut Cap	PE Low/Medium Density	4

For the front and rear holes, on both the left hand and right hand side of the load bin, install the fasteners and other components in the order indicated in the images below:

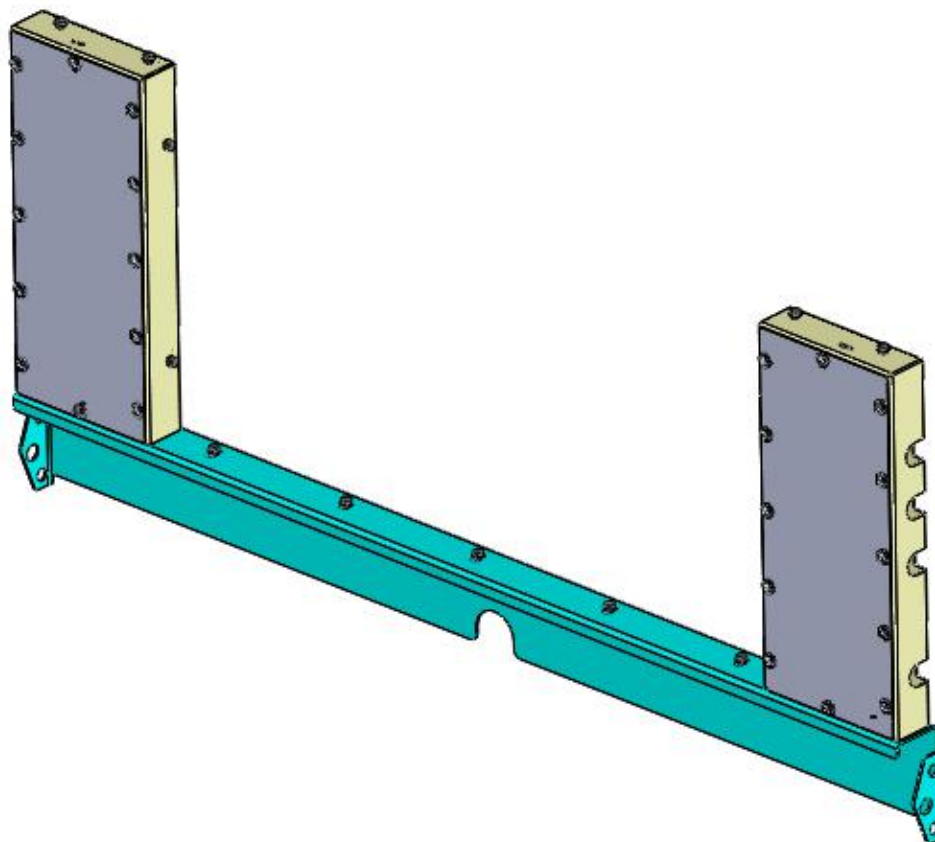


C



Add M8 nut caps, to finish off the bracket installation. You will now have four brackets installed at the front and rear, on both the LHS and RHS. You can now continue with the rest of the fitment.

1. Rear Filler Panel Assembly.



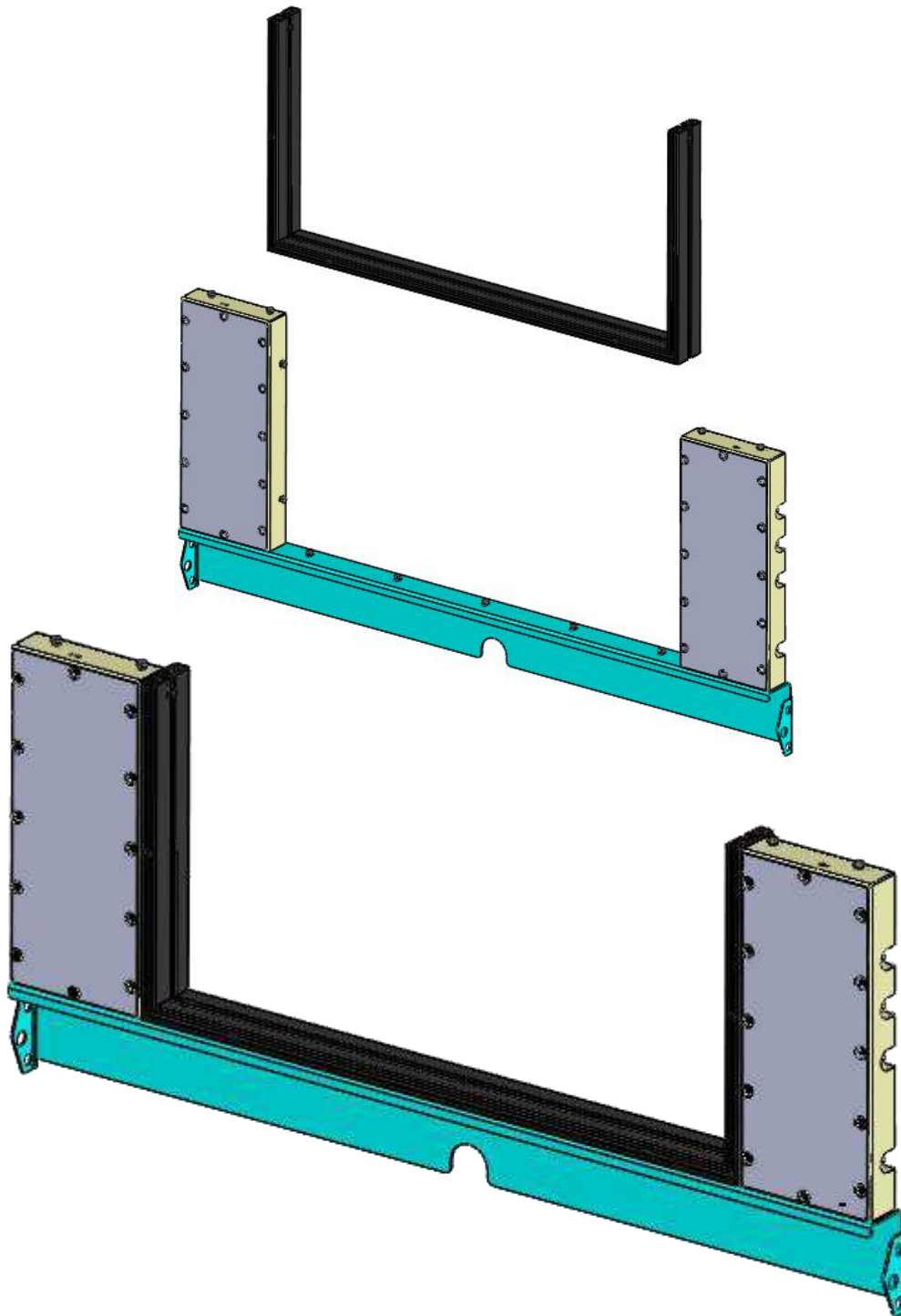
ITEM NO.	PART NUMBER	DESCRIPTION	MATERIAL	QTY.
1	162-CHEV-BOT-MINT-SUPP-BRKT-01-00	BOTTOM SUPPORT BRACKET	1060 Alloy (3mm)	1
2	162-CHEV-INNER-BOX-LH-01-00	INNER BOX LH	1060 Alloy (2mm)	1
3	162-CHEV-RER-BOT-COV-PLT-01-00	REAR BOTTOM COVER PLATE	1060 Alloy Tread Plate (1.6mm)	2
4	162-CHEV-INNER-BOX-RH-01-00	INNER BOX RH	1060 Alloy (2mm)	1
5	M6 Cage Nut	M6 Cage Nut	Zinc Plated Steel	26
6	DIN 9021 M8x24 Flat Washer	Flat Washer	AISI 316	13
7	DIN 985 M8 Nyloc Nut	Nyloc Nut	AISI 316	13
8	M8x20 Hex Head Bolt	Hex Head Bolt	AISI 316	13
9	M6x16 Button Head Hex Socket Screw	Button Head Hex Socket Screw	AISI 316	2
10	M6x18 Flat Washer	Oversized M6 Flat Washer	AISI 316	26
11	483-060	SPRING WASHER - M6	AISI 316	26
12	ISO 7380 M6x12 Button Head Hex Socket Screw	Button Head Hex Socket Screw	AISI 316	24
13	M8 Nut Cap	Plastic Nut Cap	PE Low/Medium Density	13



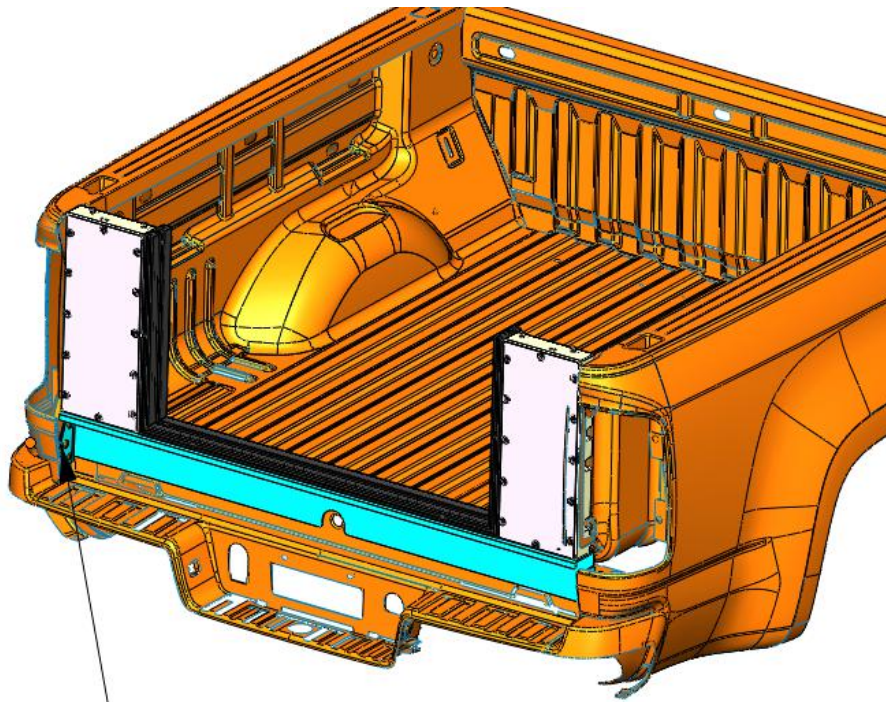
WARNING

Always wear appropriate PPE (Personal protection equipment) when fitting this product. Although the mounting kit is designed to be DIY, if you have any doubts or concerns, contact an accredited fitment centre to carry out the work. Alu-Cab will not be liable for any injury to persons, and/or damage to products and/or vehicles.

2. Fit lower door frame to Filler Panel Assembly as shown.

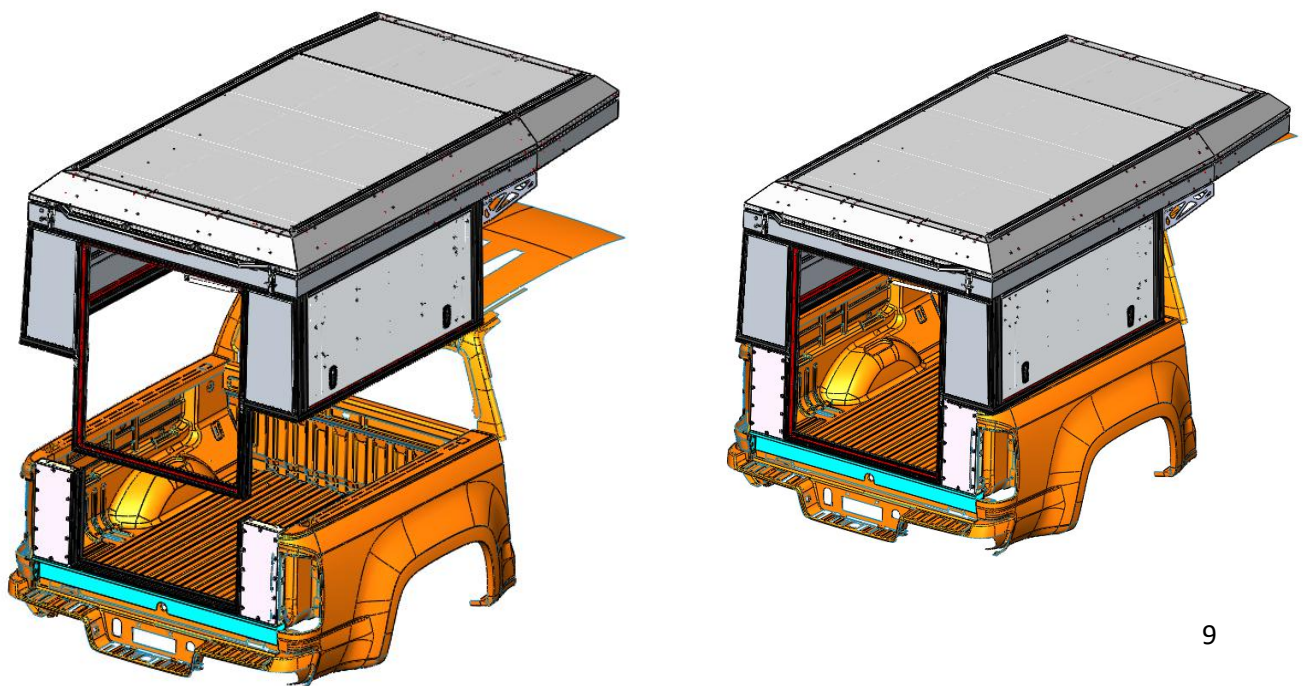


3. Mount filler panel assembly to load bin as shown.



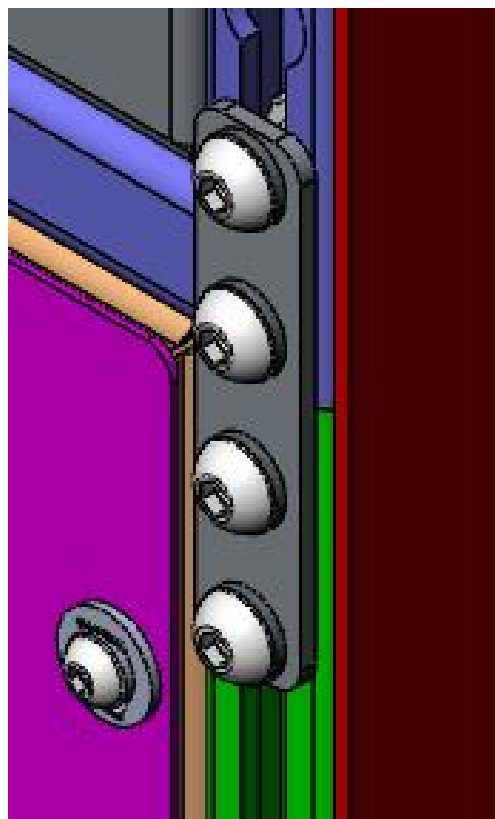
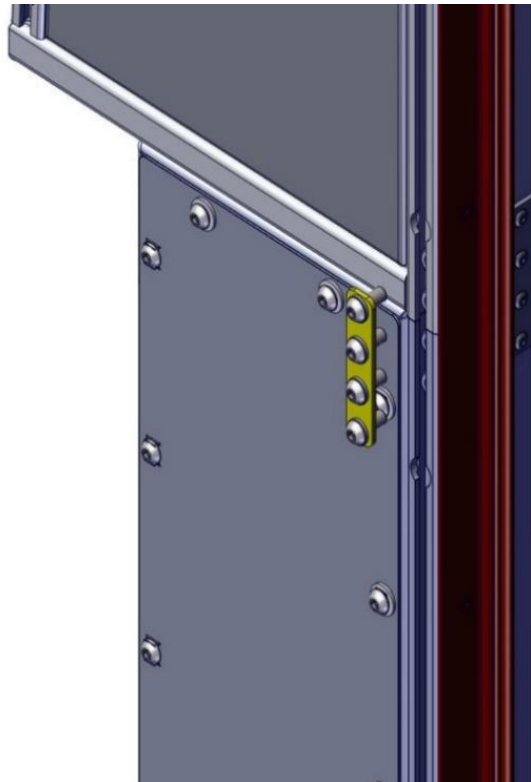
BOLT REAR BOTTOM ASSEMBLY
TO LOAD BIN BOTH SIDES.

4. Then mount canopy camper base unit on top of load bin.

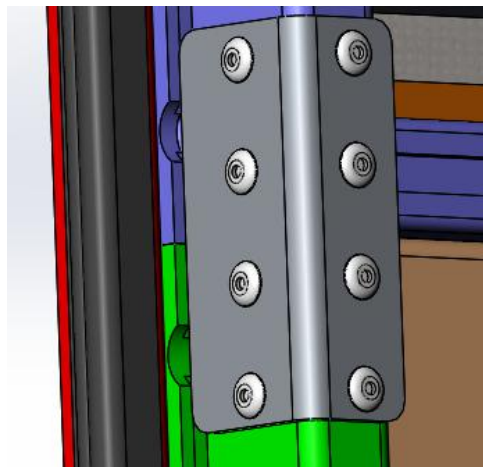
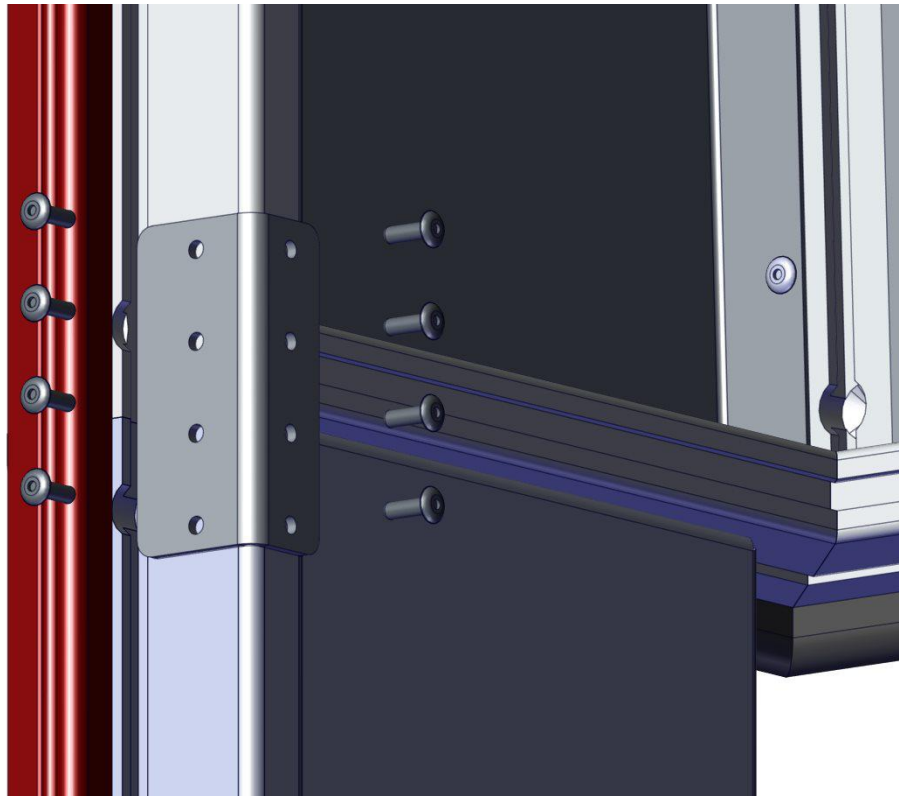


5. Connect rear filler panel assembly and base unit as shown.

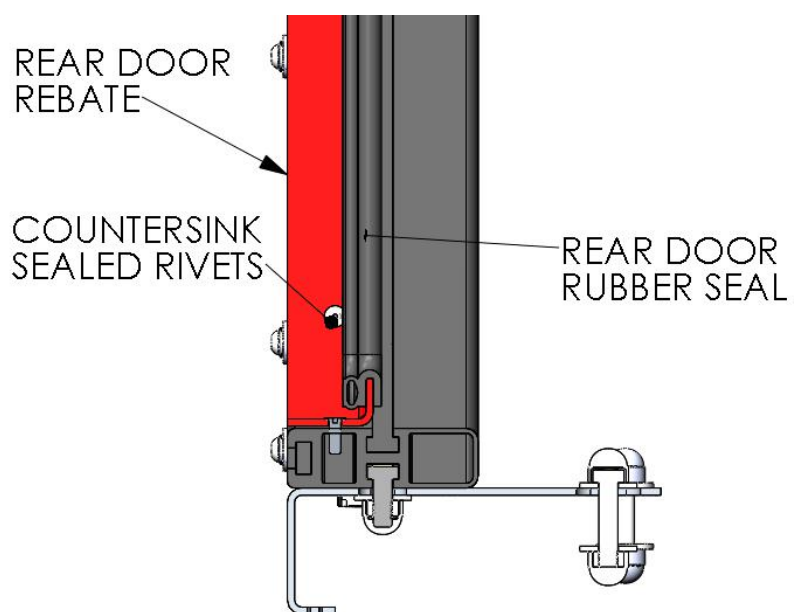
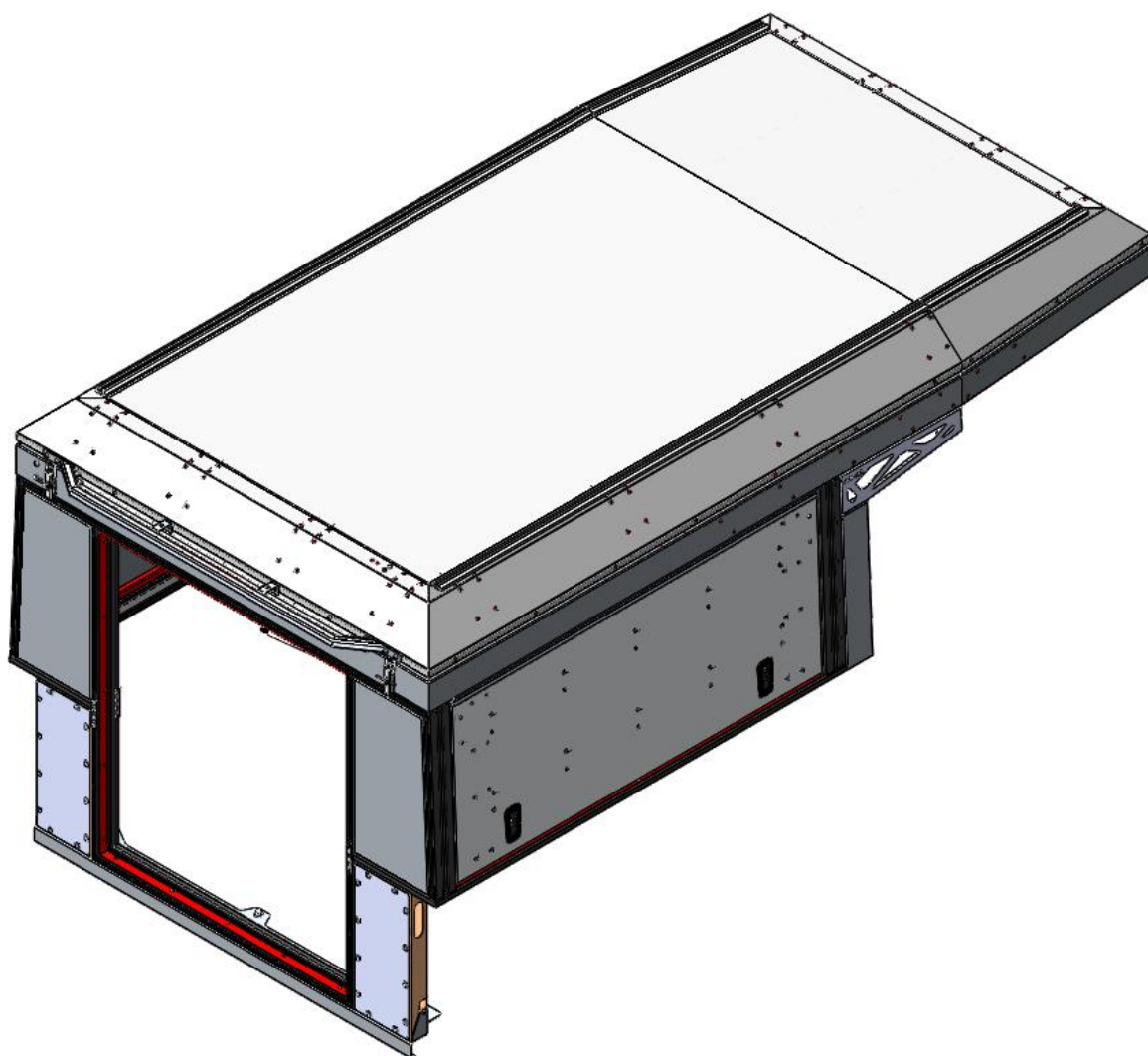
OUTER MOUNTING ON BOTH JOINTS



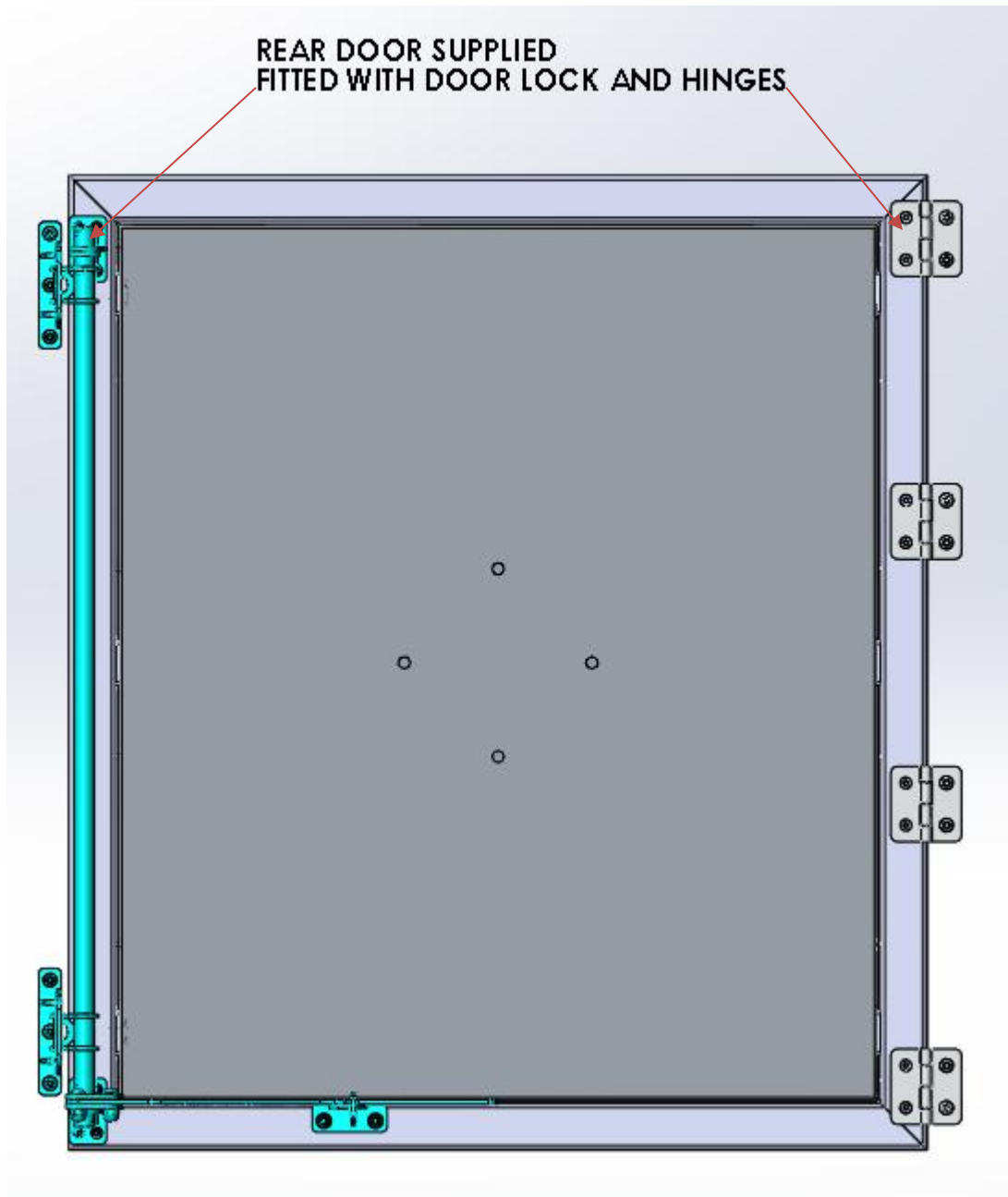
INNER MOUNTING ON BOTH JOINTS



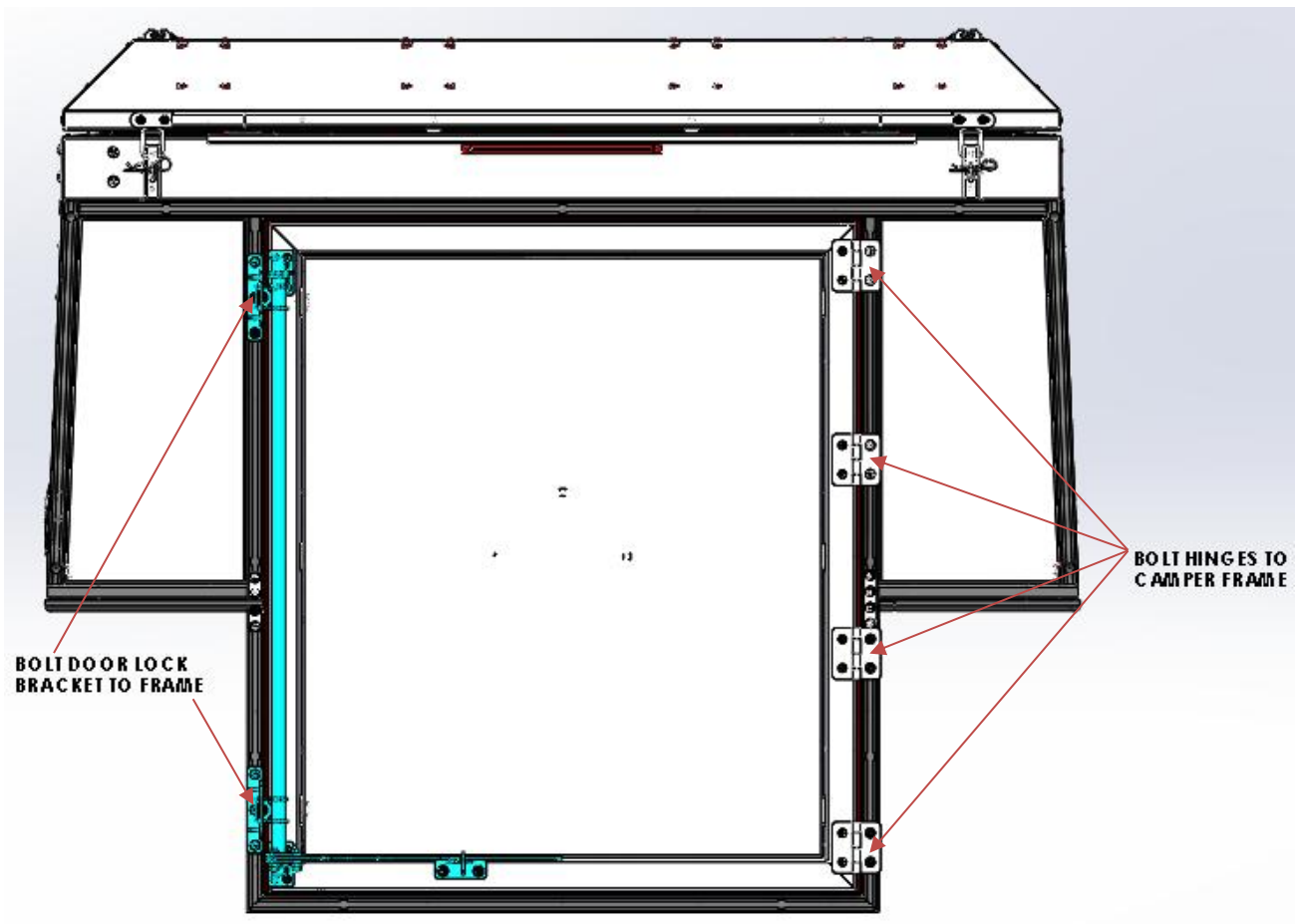
6. Fit rear door rebate with $\text{Ø}4.8 \times 15$ sealed countersink rivets as shown.



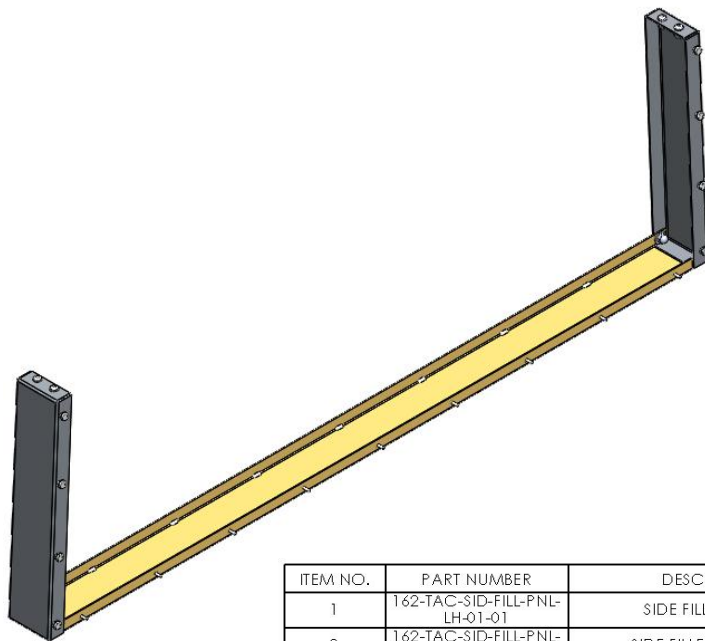
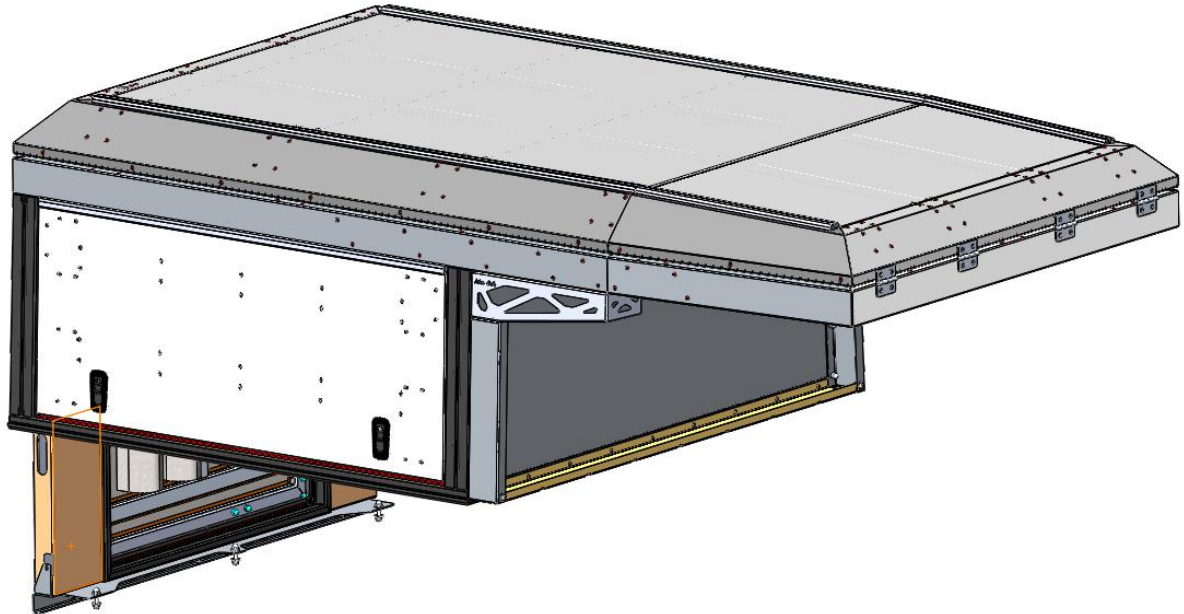
7. Fit rear door by mounting 4 x Butt hinges to camper frame as shown. Centre rear door, top to bottom and the hinge centres left to right. Also mount the door lock to the camper frame.



8. Attach hinges and lock to camper frame.



9. Fitting of front filler panels.



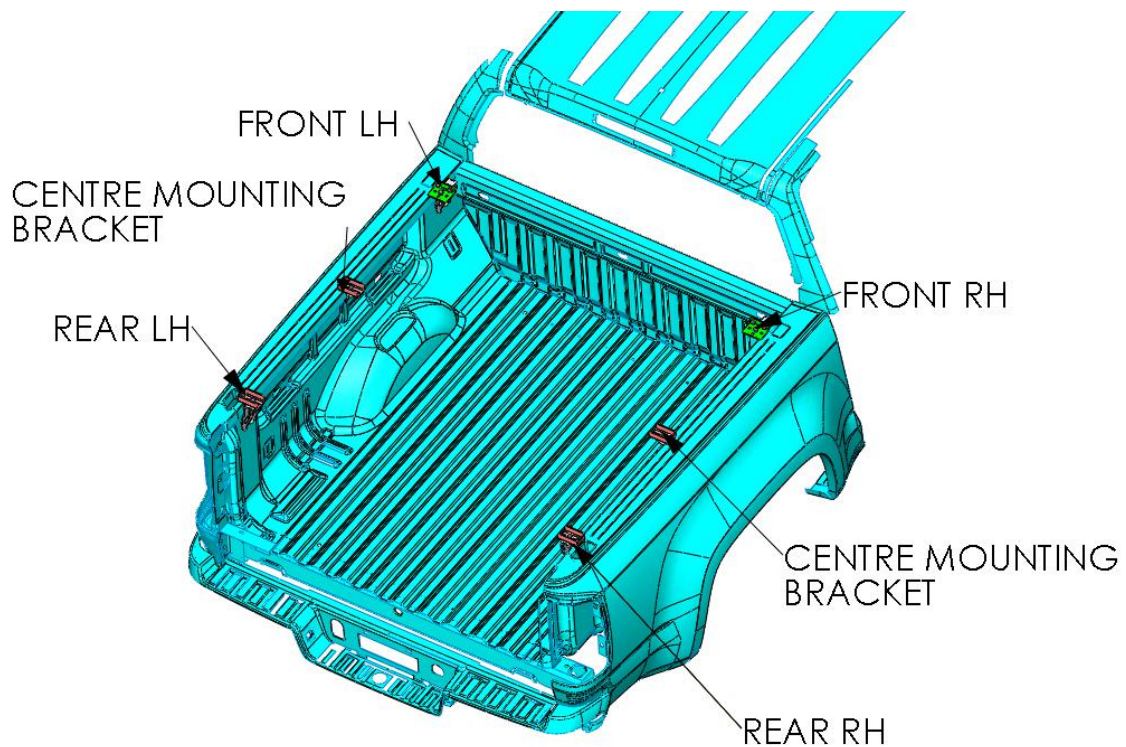
ITEM NO.	PART NUMBER	DESCRIPTION	MATERIAL	QTY.
1	162-TAC-SID-FILL-PNL-LH-01-01	SIDE FILLER PANEL	1060 Alloy (2mm)	1
2	162-TAC-SID-FILL-PNL-RH-01-00	SIDE FILLER PANEL RH	1060 Alloy (2mm)	1
3	162-TAC-BOT-FILL-PLT-01-01	BOTTOM FILLER PLATE	1060 Alloy (2mm)	1
4	DIN 9021 M8x24 Flat Washer	M8x24 Flat Washer	AISI 316	4
5	ISO 7380 M8x20 Button Head Hex Socket Screw	Button Head Hex Socket Screw	AISI 316	6
6	M8 Nut Cap	Plastic Nut Cap	PE Low/Medium Density	14
7	DIN 985 M8 Nyloc Nut	Nyloc Nut	AISI 316	14
8	ASS4815 Sealed Blind Rivet	Sealed Blind Rivet	AL5052	9
9	DIN 125 M8 Flat Washer	Flat Washer	AISI 316	16
10	DIN 933 M8x20 Hex Head Bolt	Hex Head Bolt	AISI 316	8

Canopy Camper Final Fitment

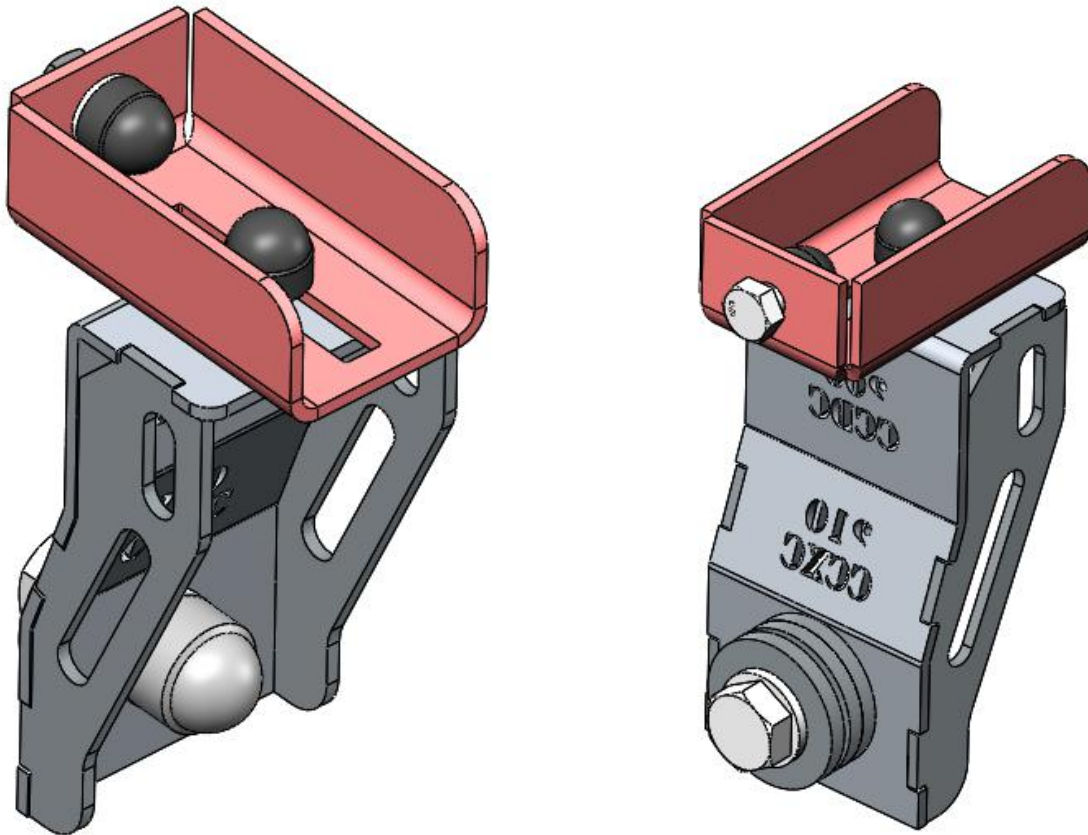
The tables below show the equipment, i.e. tools and fasteners required to start the final fitment.

Tools Required:

<u>TOOL</u>
• Ratchet
• T-40 Spline Socket
• 13mm Socket
• 13mm Ring Flat Spanner

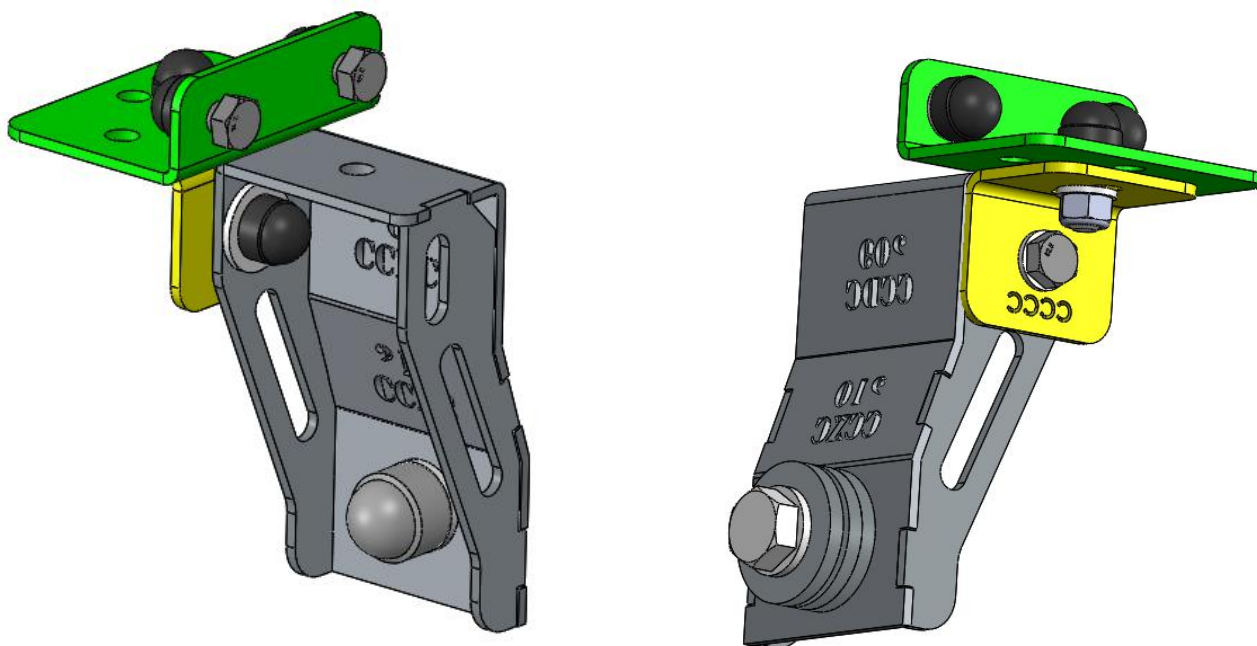


1. Rear left hand and right hand mounting bracket assemblies.



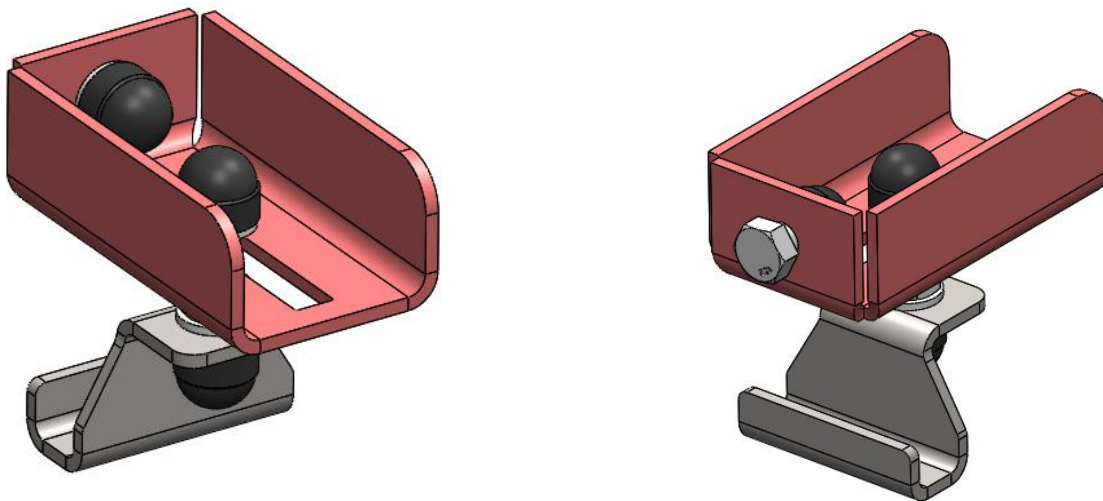
ITEM NO.	PART NUMBER	DESCRIPTION	MATERIAL	QTY.
1	209-CCDC-MNT-BRK-01-00	MOUNTING BRACKET	AISI 304 (3mm)	1
2	209-CCDC-MNT-DSC-01-00	MOUNTING BRACKET DISC	AISI 304 (4mm)	3
3	209-CCDC-MNT-BRK-02-00	MOUNTING BRACKET SIDE	AISI 304 (3mm)	2
4	TT-2016-TOP-MNT-BRKT-01-00	TOP MOUNTING BRACKET	AISI 304 (3mm)	1
5	M12 Flat Washer	Flat Washer	AISI 316	2
6	M12 Nut Cap	Plastic Nut Cap	PE Low/Medium Density	1
7	M12x40 Hex Head Bolt	Hex Head Bolt	AISI 316	1
8	M12 Nyloc Nut	Nyloc Nut	AISI 316	1
9	M8 Nut Cap	Plastic Nut Cap	PE Low/Medium Density	3
10	DIN 125 M8 Flat Washer	Flat Washer	AISI 316	2
11	DIN 985 M8 Nyloc Nut	Nyloc Nut	AISI 316	2
12	M8x20 Hex Head Bolt	Hex Head Bolt	AISI 316	2

2. Front left hand and right hand mounting brackets.



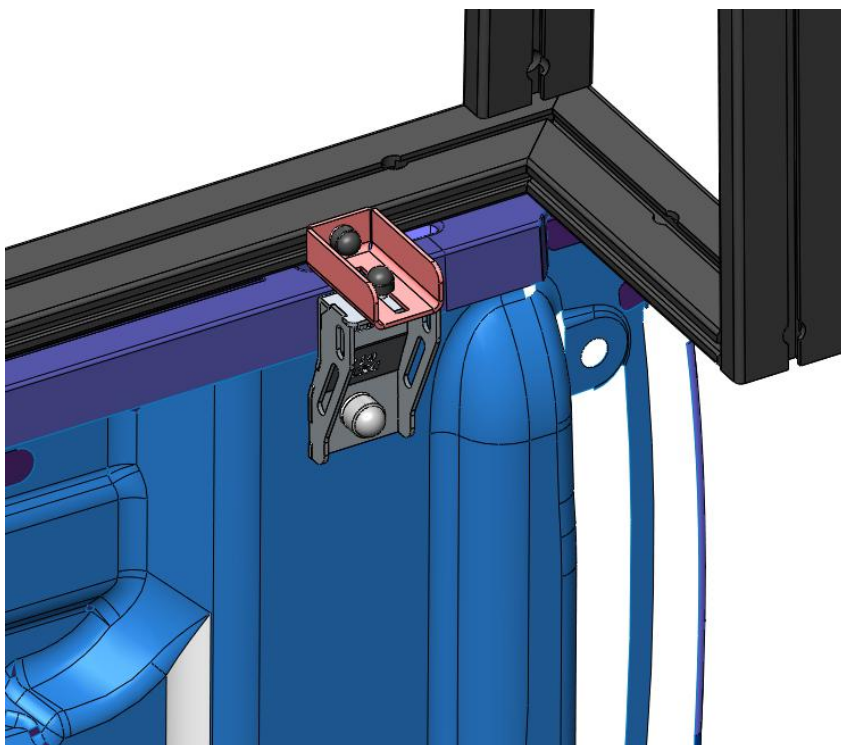
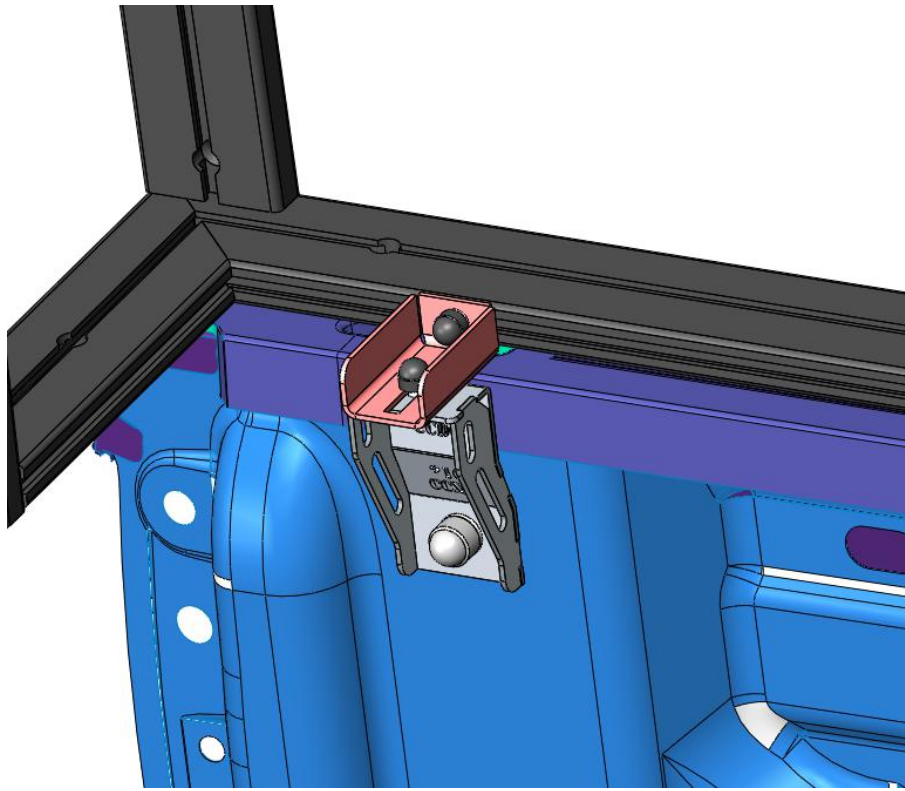
ITEM NO.	PART NUMBER	DESCRIPTION	MATERIAL	QTY.
1	209-CCDC-MNT-BRK-01-00	MOUNTING BRACKET	AISI 304 (3mm)	1
2	209-CCDC-MNT-DSC-01-00	MOUNTING BRACKET DISC	AISI 304 (4mm)	3
3	209-CCDC-MNT-BRK-02-00	MOUNTING BRACKET SIDE	AISI 304 (3mm)	2
4	DIN 9021 M8x24 Flat Washer	Flat Washer	AISI 316	1
5	M12 Flat Washer	Flat Washer	AISI 316	2
6	M12 Nut Cap	Plastic Nut Cap	PE Low/Medium Density	1
7	M12x40 Hex Head Bolt	Hex Head Bolt	AISI 316	1
8	M12 Nyloc Nut	Nyloc Nut	AISI 316	1
9	162-CHEV-CC-FNT-MNT-BRKT-01-00	FRONT MOUNTING BRACKET	AISI 304 (3mm)	1
10	Universal Canopy Mount Bracket REV A	CANOPY MOUNTING BRACKET	AISI 304 (3mm)	1
11	DIN 125 M8 Flat Washer	Flat Washer	AISI 316	5
12	M8x20 Hex Head Bolt	Hex Head Bolt	AISI 316	4
13	DIN 985 M8 Nyloc Nut	Nyloc Nut	AISI 316	4
14	M8 Nut Cap	Plastic Nut Cap	PE Low/Medium Density	4

3. Centre mounting bracket assembly.

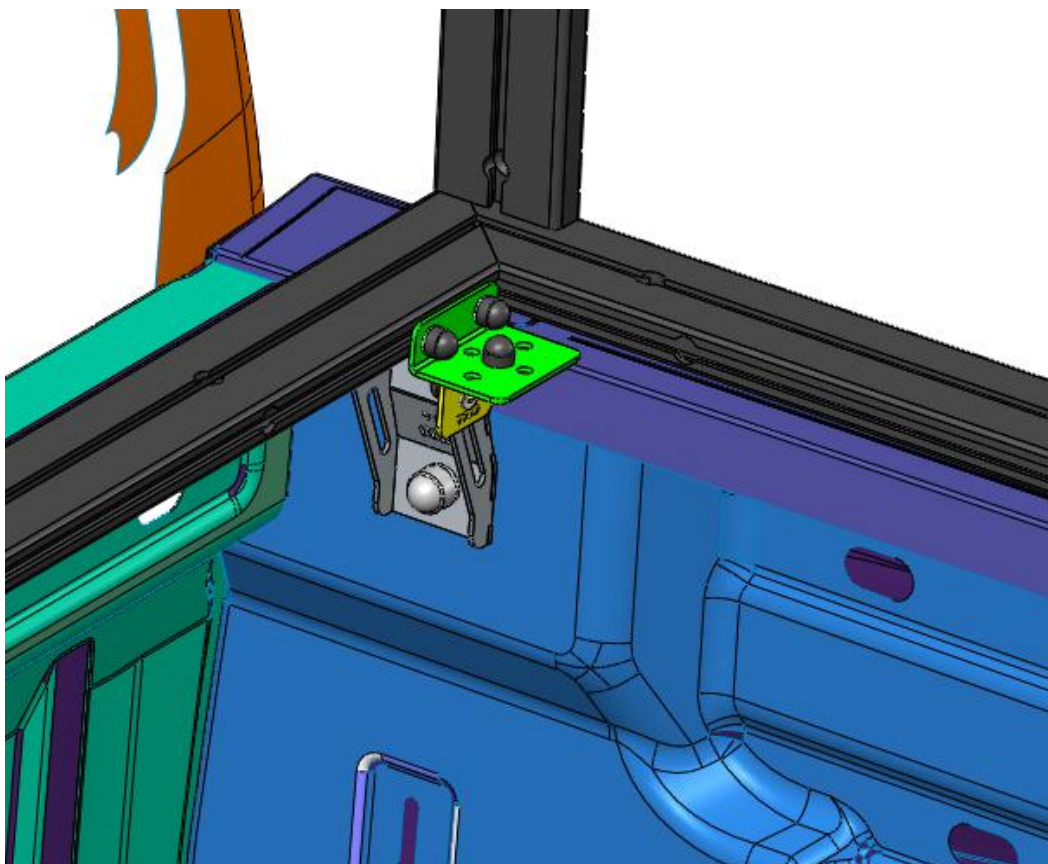
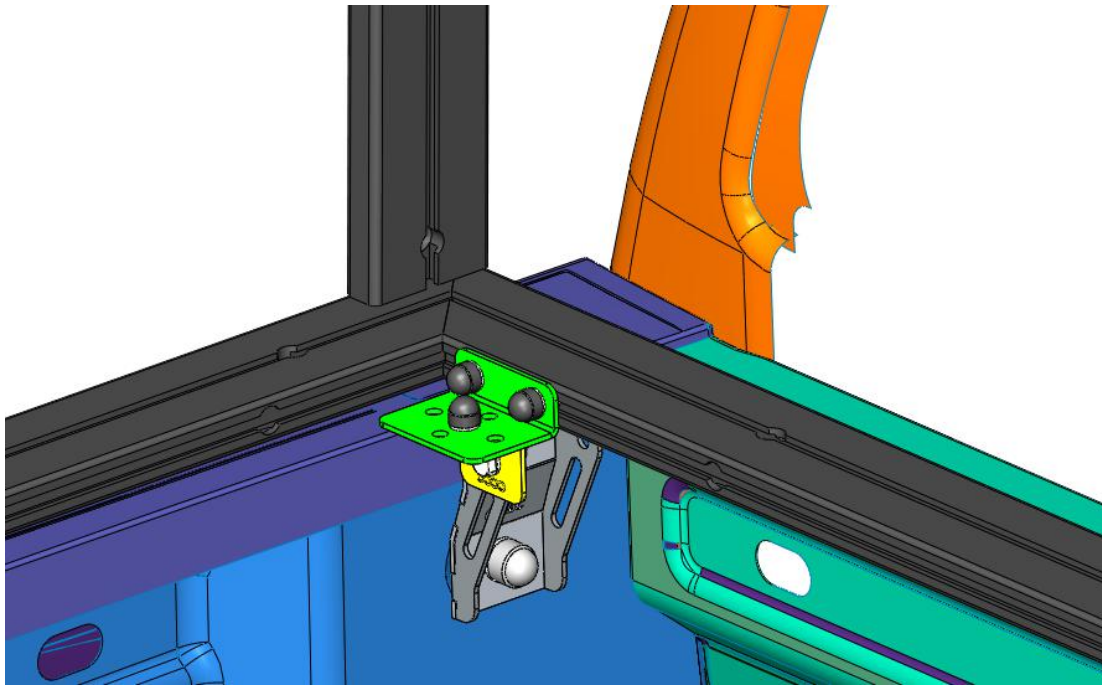


ITEM NO.	PART NUMBER	DESCRIPTION	MATERIAL	QTY.
1	CMB-000-002	BOTTOM CLAMP BRACKET	AISI304	1
2	TT-2016-TOP-MNT-BRKT-01-00	TOP MOUNTING BRACKET	AISI304 (3mm)	1
3	DIN 933 M8x140 Hex Head Bolt	Hex Head Bolt	AISI316	1
4	M8 Hex Head Nut	Hex Head Nut	AISI316	2
5	DIN 933 M8x20 Hex Head Bolt	Hex Head Bolt	AISI316	1
6	DIN 125A M8 Flat Washer	Flat Washer	AISI316	4
7	ISO 7040 M8 Nylac Nut	Nylac Nut	AISI316	1
8	M8 Nut Cap	Plastic Nut Cap	PE Low/Medium Density	3

4. Images below showing rear left & right hand mounting in position.



5. Images below showing front left & right hand mounting in position.



6. Images showing centre mounting bracket in position.

