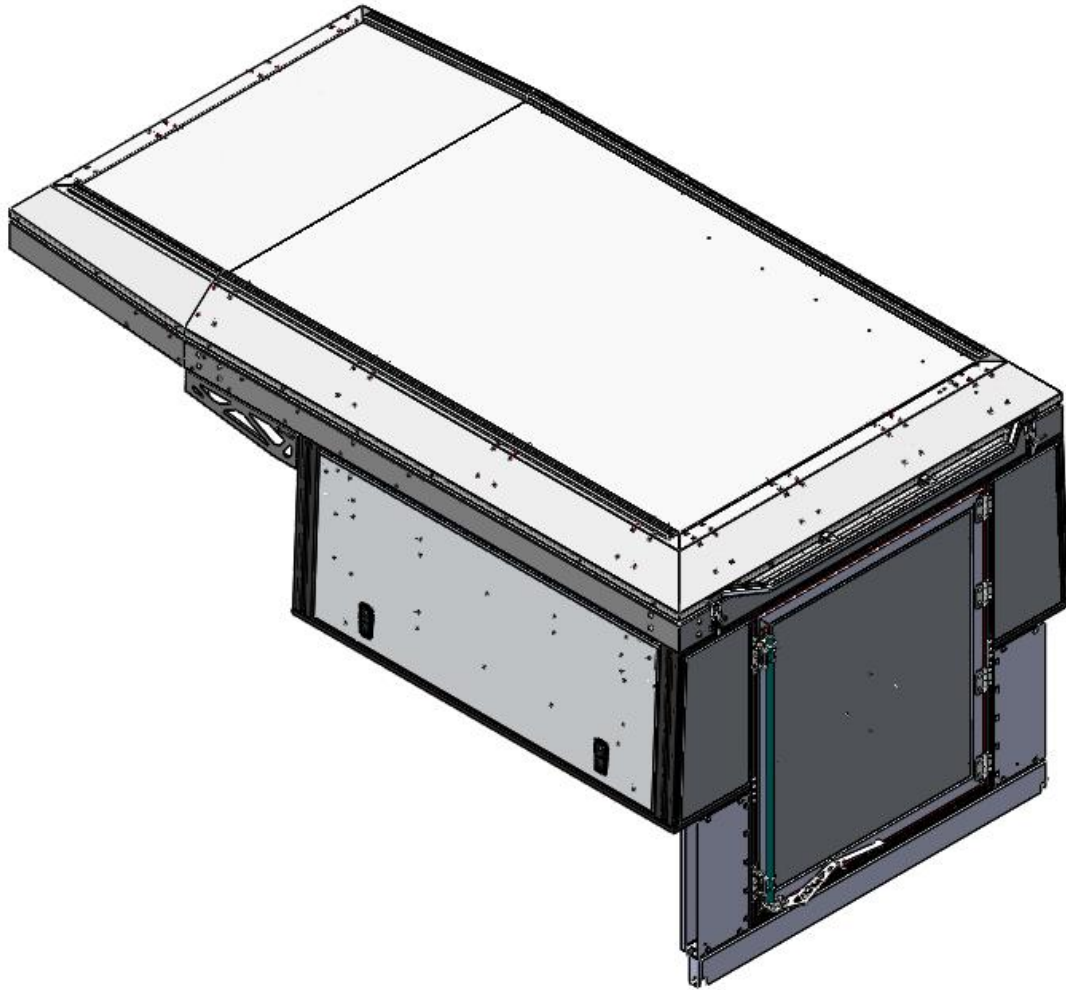


FITMENT INSTRUCTIONS

Alu-CabTM



IMPORTANT INFORMATION CANOPY CAMPER FITMENT

All rights reserved. No part of this document may be reproduced, translated, stored in a retrieval system, or transmitted, in any form or by any means, electronic, mechanical, photocopying, recording or otherwise, without prior written permission of the owner.

Review all instructions information carefully before installation.

Any damages, direct or incidental to the installer and/or property due to incorrect installation of any parts are the responsibility of the installer. Due to the various applications and fitment options available, the responsibility lies with the user to ensure all mounting points are secure and tight before every trip. If unsure, consult with your Distributor regarding the operations of our products.

Users are advised to be mindful of the load they are carrying and drive in accordance with road conditions.

DISCLAIMER

Alu-Cab



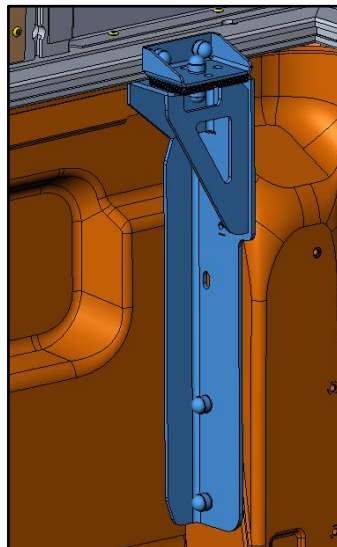
WARNING

Always wear appropriate PPE (Personal protection equipment) when fitting this product. Although the mounting kit is designed to be DIY, if you have any doubts or concerns, contact an accredited fitment centre to carry out the work. Alu-Cab will not be liable for any injury to persons, and/or damage to products and/or vehicles.

It is important to note that all Alu-Cab Mounting Kits, to fit Alu-Cab Canopy Campers to the various base vehicles, are designed with specific mating tolerances. This allows the load to be evenly distributed, and not cause damage to the base vehicle and/or the Canopy Camper unit.

The Canopy Camper should never lie directly on the load bin wall lips. Certain mounting kits make use of spacing shims - Always ensure that the brackets are correctly spaced, to not allow the camper to lie directly on the load bin wall lips.

The mass of the Canopy Camper is transferred through the mounting brackets, and into the load bin at predetermined points (anchor points). See example below (note the shims):



All of the Mounting and Filler Kits, for Canopy Campers, are designed to locate the unit slightly proud of the load bin wall lips, allowing only enough clearance to compress the gasket material between the unit, and the load bin wall lips.

Always ensure that the installation is done correctly, preferably by an accredited fitment centre, referencing the specific Alu-Cab Fitment Instruction intended for the base vehicle.