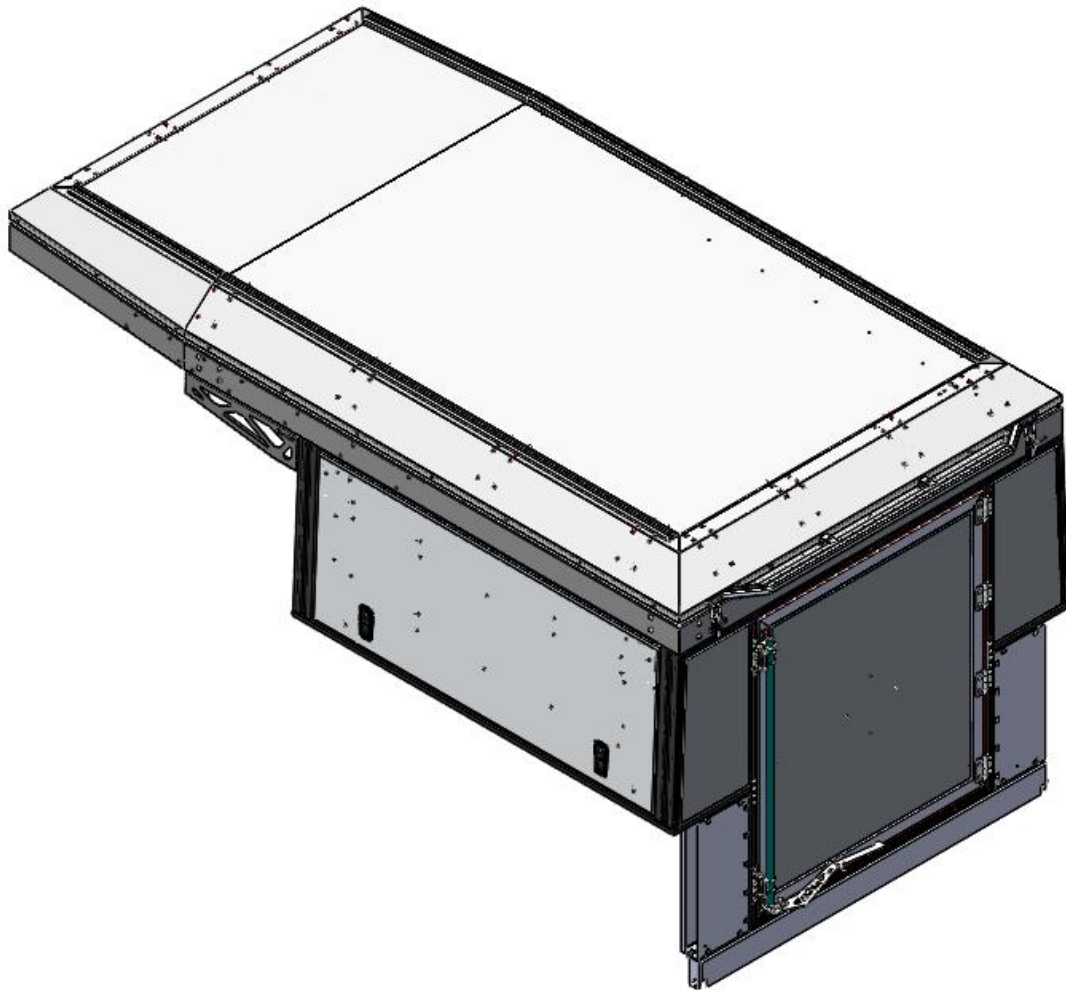


FITMENT INSTRUCTIONS

Alu-CabTM



VOLKSWAGEN AMAROK CANOPY CAMPER

All rights reserved. No part of this document may be reproduced, translated, stored in a retrieval system, or transmitted, in any form or by any means, electronic, mechanical, photocopying, recording or otherwise, without prior written permission of the owner.

Review all instructions information carefully before installation.

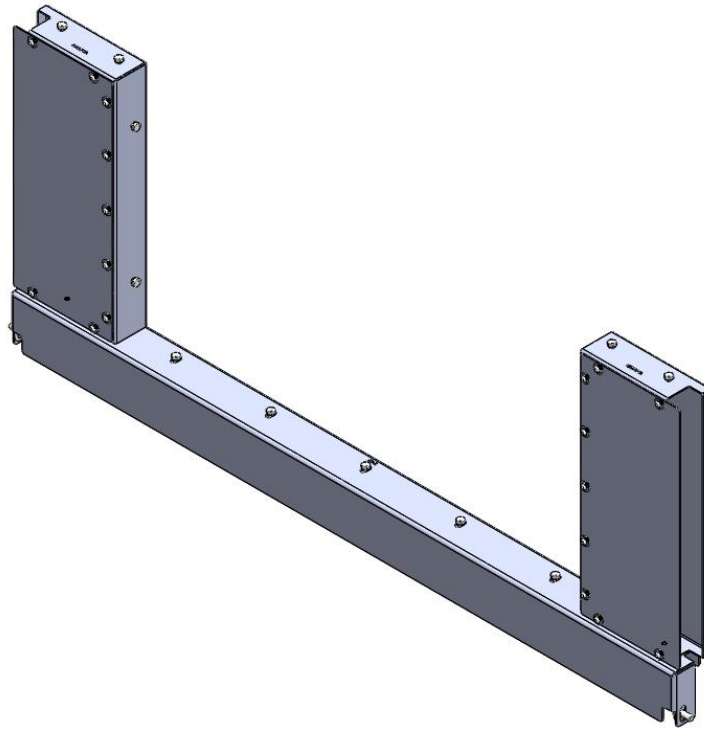
Any damages, direct or incidental to the installer and/or property due to incorrect installation of any parts are the responsibility of the installer. Due to the various applications and fitment options available, the responsibility lies with the user to ensure all mounting points are secure and tight before every trip. If unsure, consult with your Distributor regarding the operations of our products.

Users are advised to be mindful of the load they are carrying and drive in accordance with road conditions.

DISCLAIMER

Alu-Cab

1.Rear filler panel assembly.



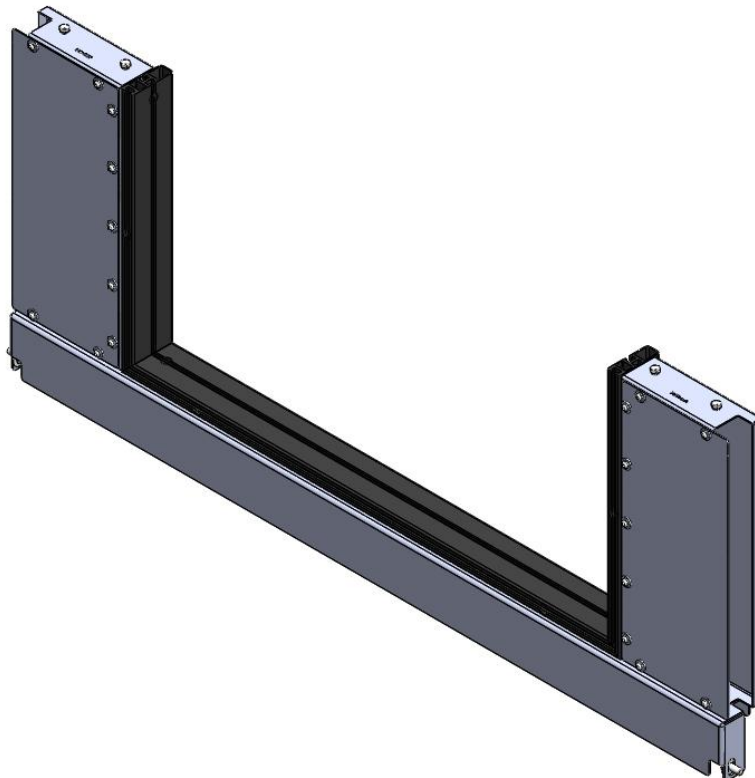
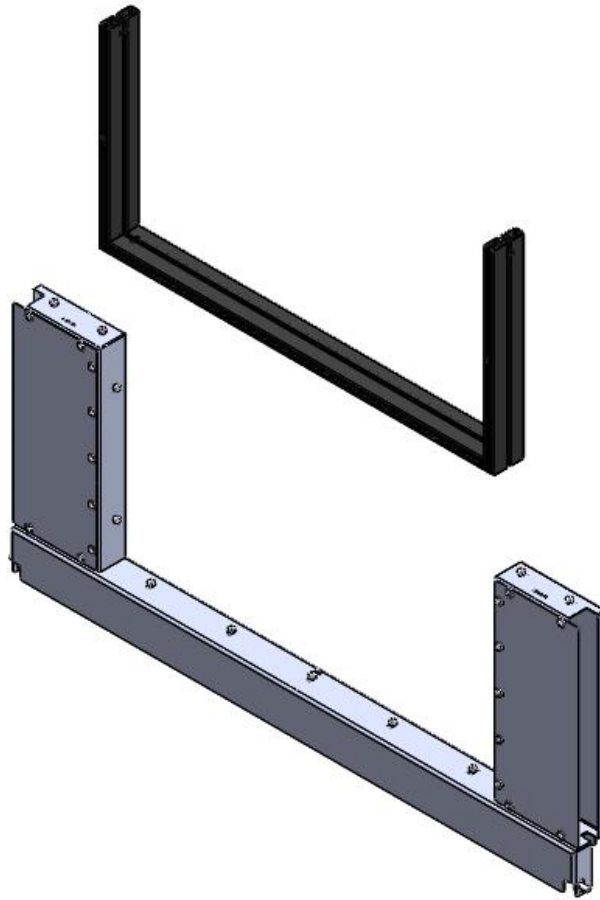
ITEM NO.	PART NUMBER	DESCRIPTION	MATERIAL	QTY.
1	162-AMAROK-BOT-SUPP-BRKT-01-02	BOTTOM SUPPORT BRACKET	1060 Alloy (3mm)	1
2	162-AMAROK-INNER-BOX-LH-01-00	FILLER BOX	1060 Alloy (2mm)	1
3	162-AMAROK-INNER-BOX-RH-01-00	INNER BOX RH	1060 Alloy (2mm)	1
4	162-AMAROK-RER-BOT-COV-PLT-LH-01-00	REAR BOTTOM COVER PLATE LH	1060 Alloy Tread Plate (1.6mm)	1
5	162-AMAROK-RER-BOT-COV-PLT-RH-01-00	REAR BOTTOM COVER PLATE RH	1060 Alloy Tread Plate (1.6mm)	1
6	M6 Cage Nut	M6 Cage Nut	Zinc Plated Steel	20
7	DIN 9021 M8x24 Flat Washer	M8x24 Flat Washer	AISI 316	13
8	DIN 985 M8 Nyloc Nut	Nyloc Nut	AISI 316	13
9	M8x20 Hex Head Bolt	Hex Head Bolt	AISI 316	13
10	M6x16 Button Head Hex Socket Screw	Button Head Hex Socket Screw	AISI 316	2
11	M6x18 Flat Washer	Oversized M6 Flat Washer	AISI 316	20
12	483-060	SPRING WASHER - M6	AISI 316	20
13	483-100	SPRING WASHER - M10	Material <not specified>	2
14	ISO 7380 M6x12 Button Head Hex Socket Screw	Button Head Hex Socket Screw	AISI 316	18
15	M8 Nut Cap	Plastic Nut Cap	PE Low/Medium Density	13
16	DIN 933 M10x23 Hex Head Bolt	Hex Head Bolt	AISI 316	2
17	M10x30 Flat Washer	Oversized Flat Washer	AISI 316	2



WARNING

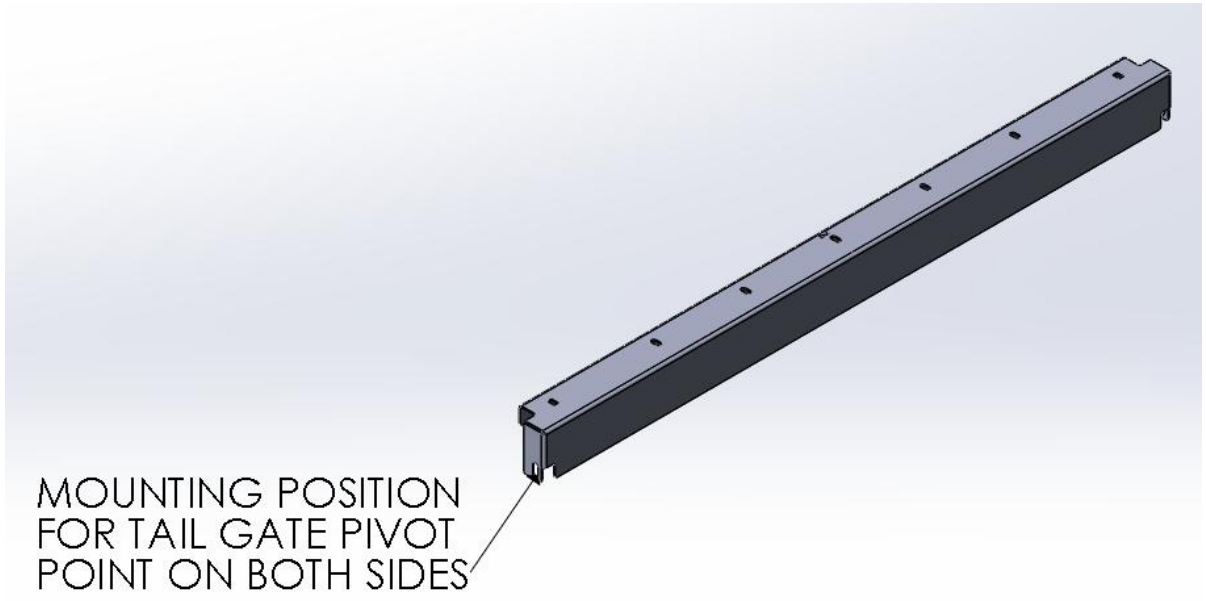
Always wear appropriate PPE (Personal protection equipment) when fitting this product. Although the mounting kit is designed to be DIY, if you have any doubts or concerns, contact an accredited fitment centre to carry out the work. Alu-Cab will not be liable for any injury to persons, and/or damage to products and/or vehicles.

2. Fit lower door frame to filler panel assembly as shown.

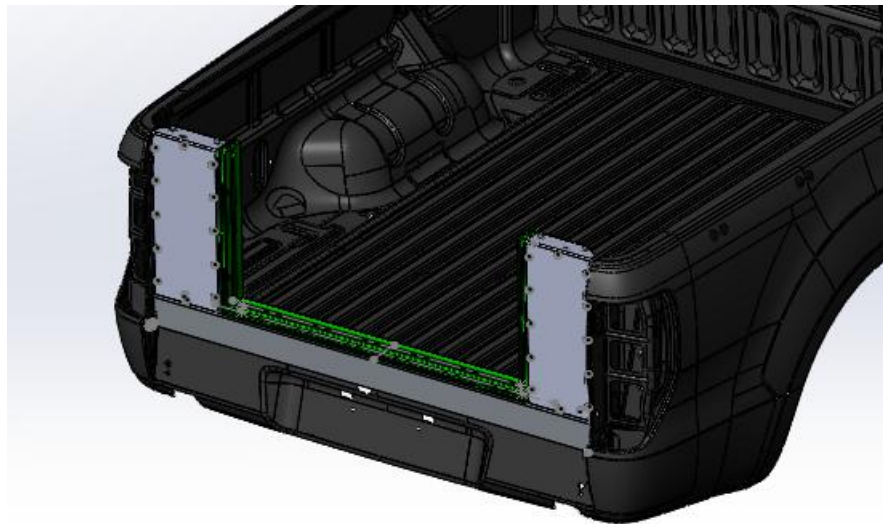


1. VW Amarok load bin.

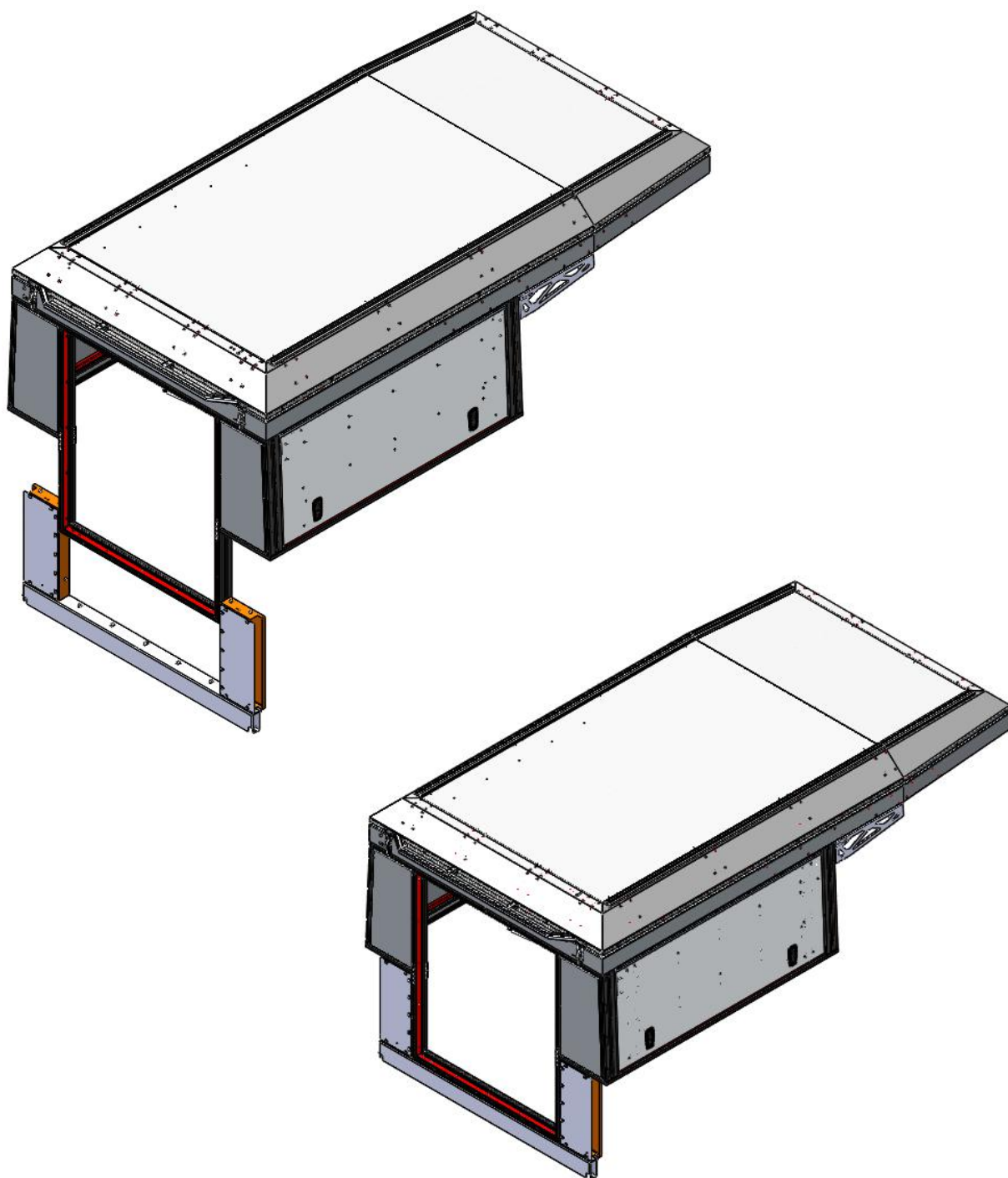




2. Mount filler panel assembly to load bin as shown.

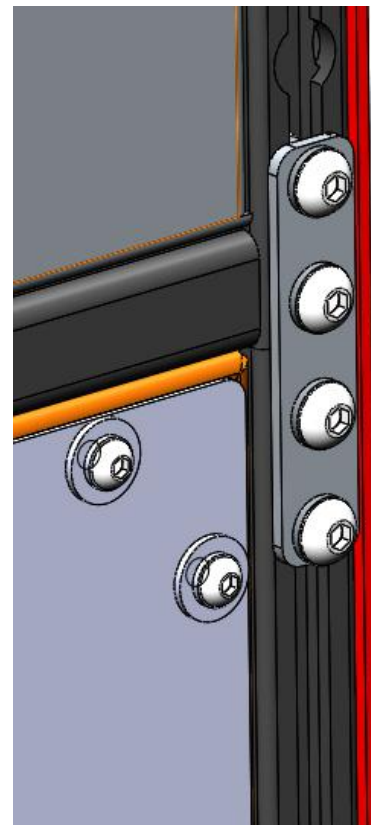
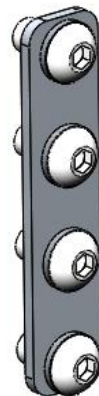
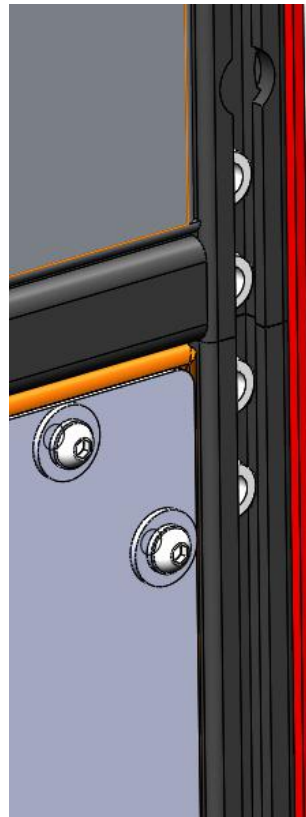


3. Then mount canopy camper base unit on top of load bin.



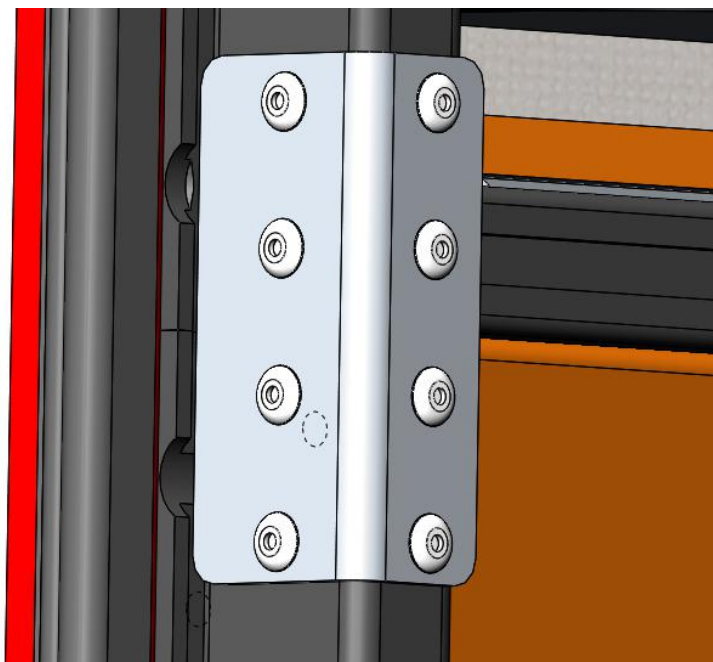
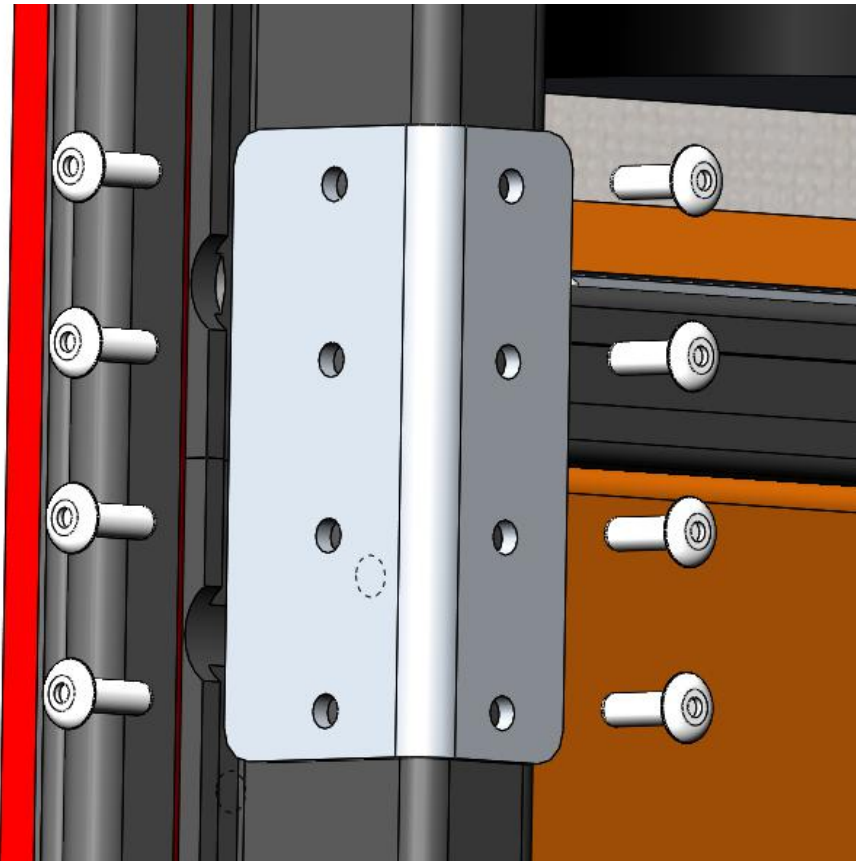
3.1. Connect rear filler panel assembly and base unit as shown. Bolt connector plate 1 across camper joint into already inserted M8 nuts on both sides.

OUTER MOUNTING ON BOTH JOINTS

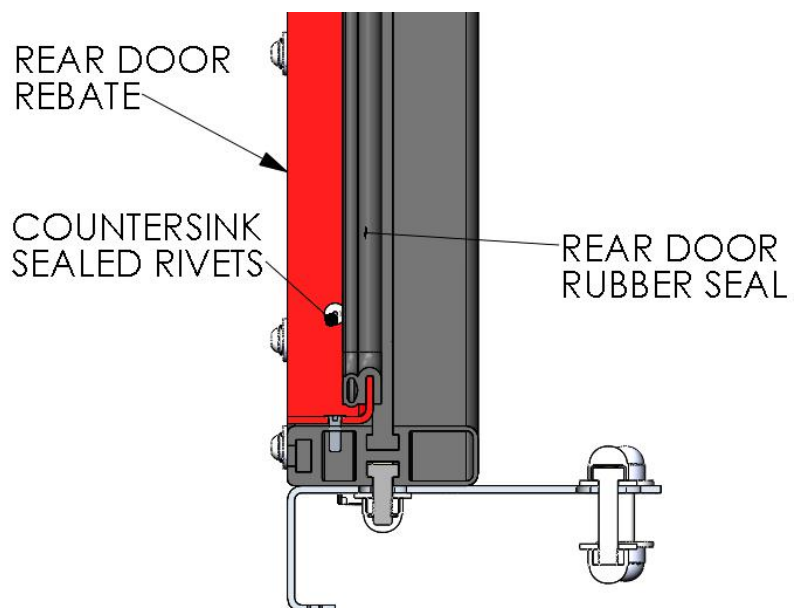
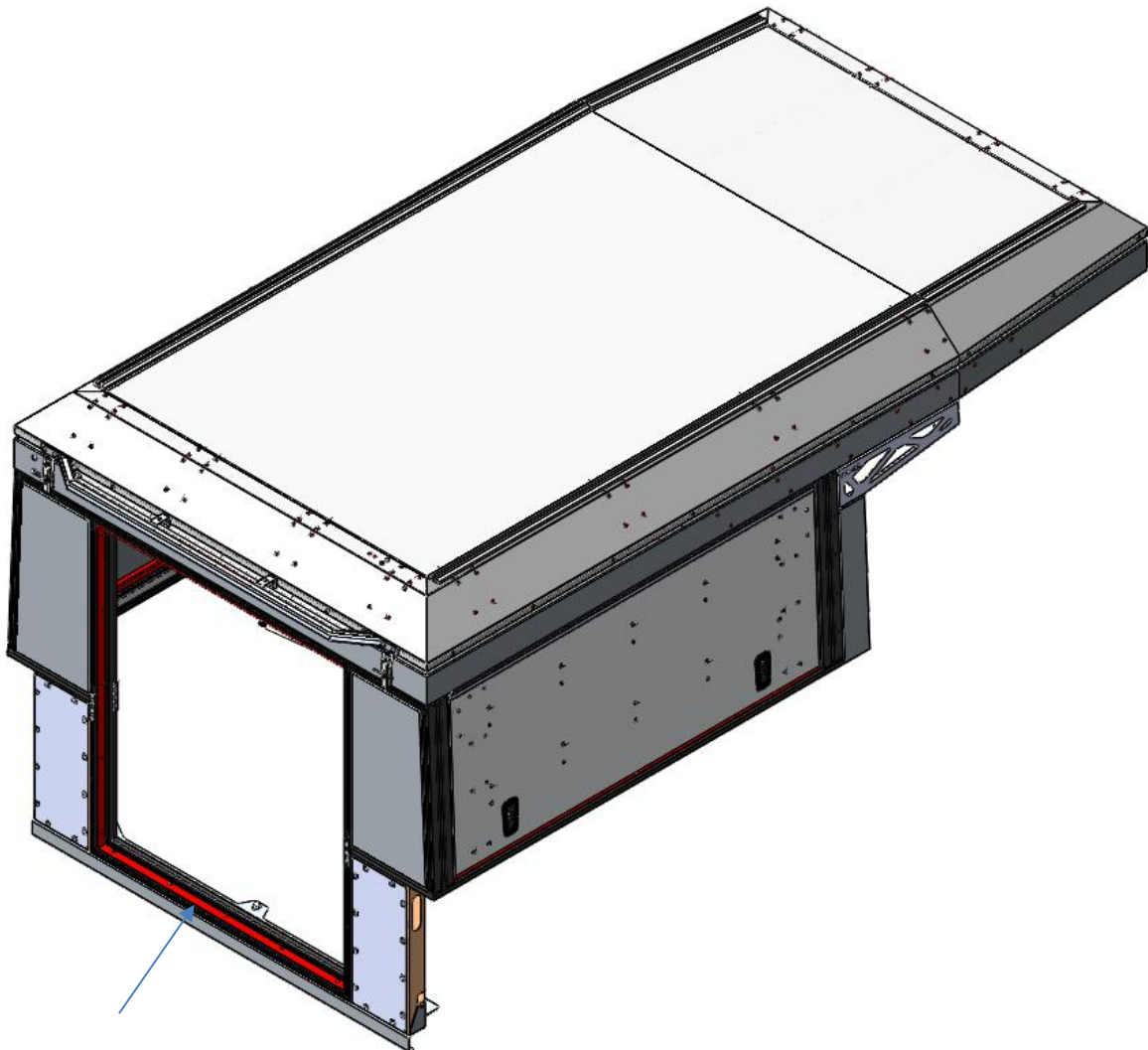


3.2 Rivet connector angle to camper joint on the inside with supplied $\text{Ø}4.8 \times 15$ sealed rivets.

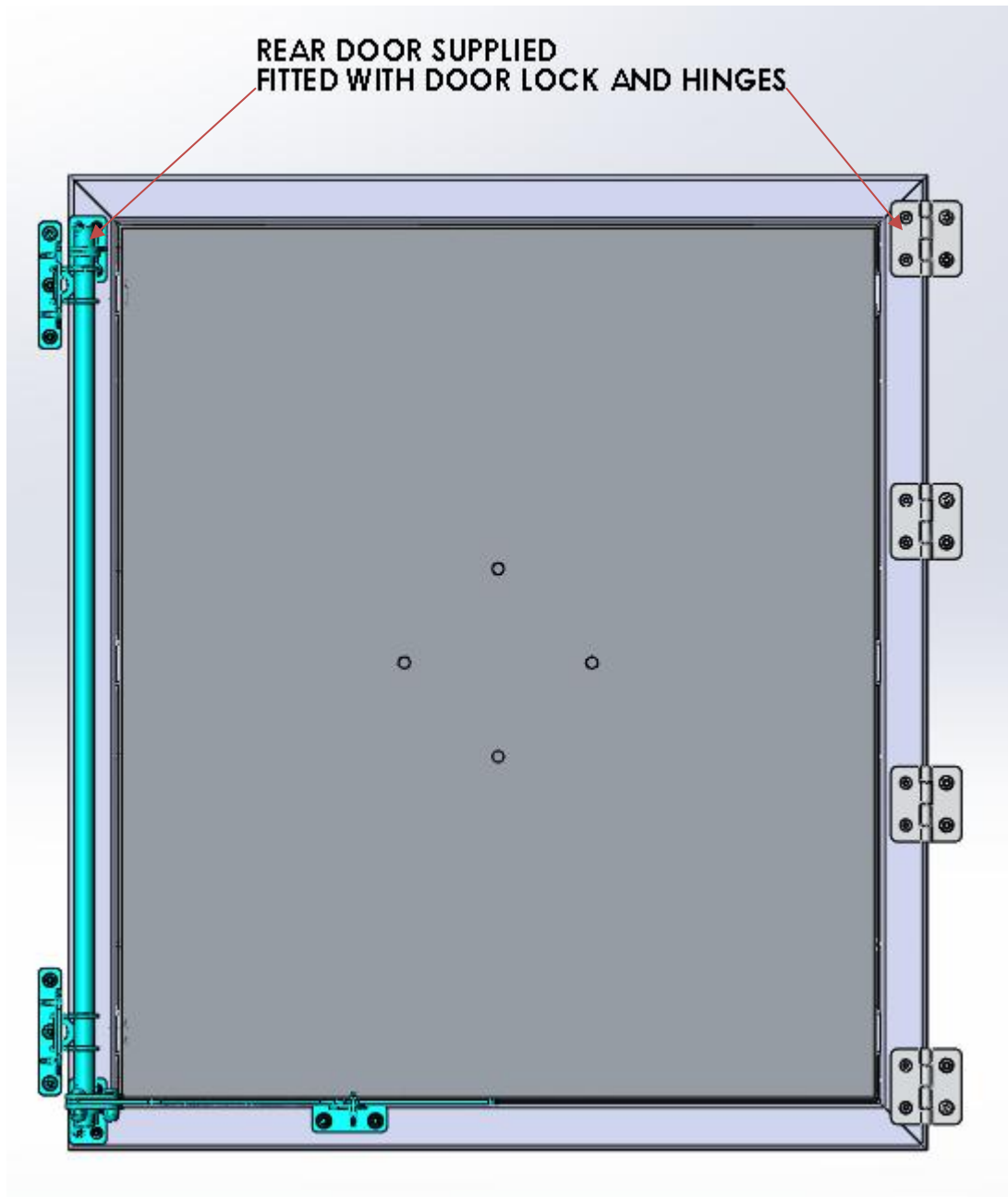
INNER MOUNTING ON BOTH JOINTS



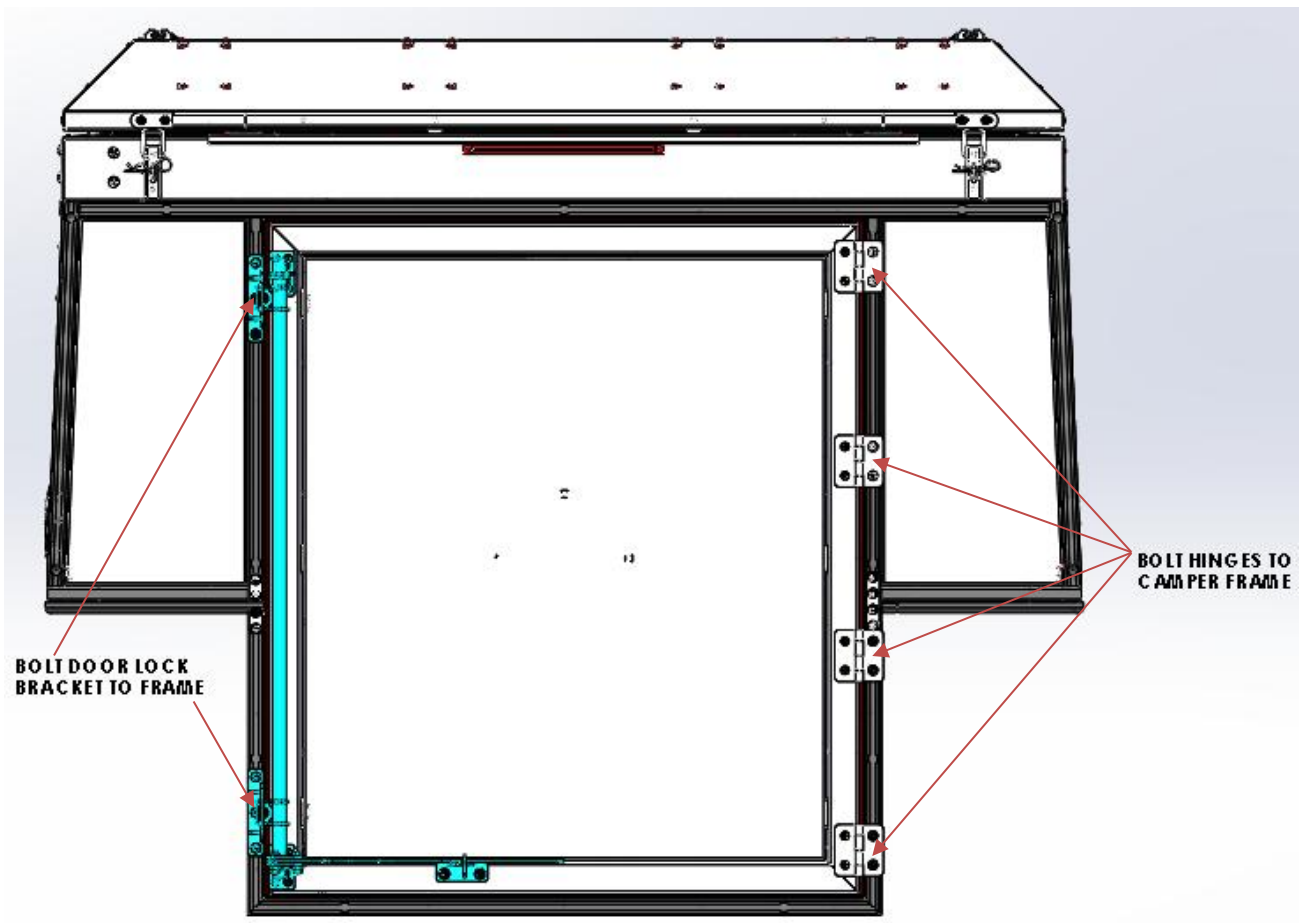
6. Fit rear door rebate with $\text{Ø}4.8 \times 15$ sealed countersink rivets as shown.



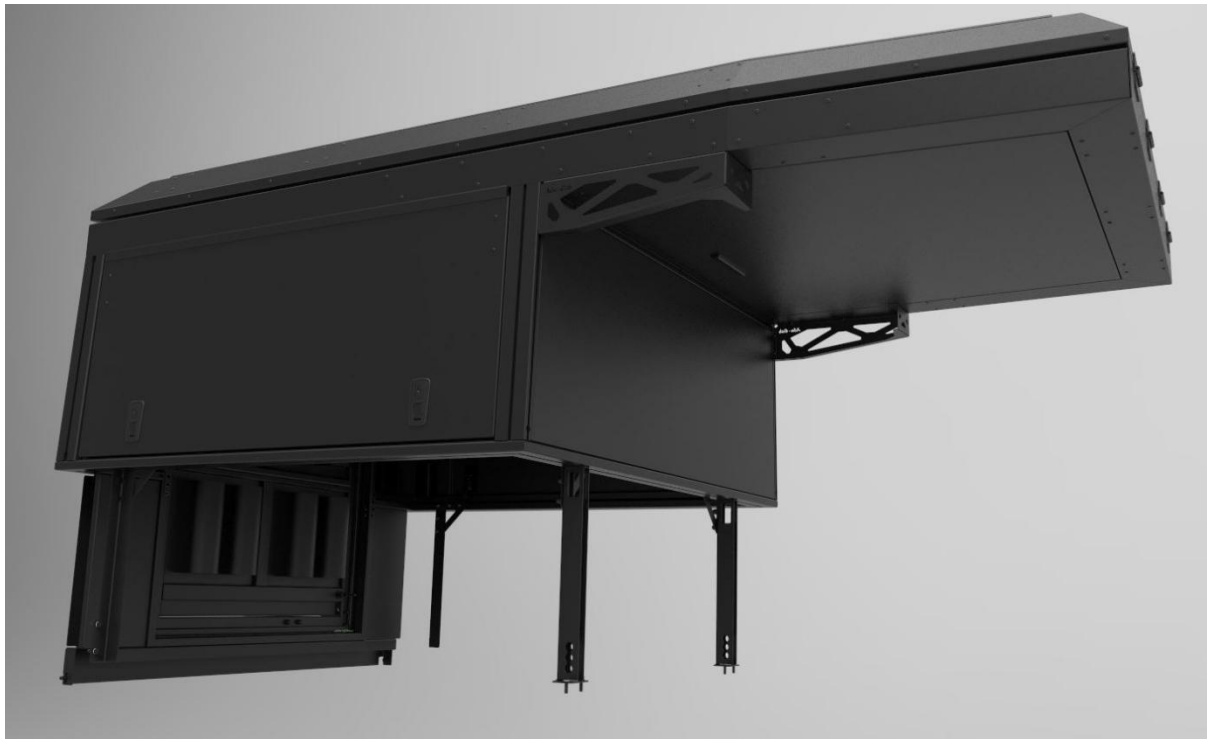
3. Fit rear door by mounting 4 x Butt hinges to camper frame as shown. Centre rear door, top to bottom and the hinge centres left to right. Also mount the door lock to the camper frame.



4. Attach hinges and lock to camper frame.



Volkswagen Amarok Canopy Camper Mounting Brackets



Fitment Instructions

1. Volkswagen Amarok Canopy Camper Mounting Brackets - Tools, Fasteners & Materials

The tables below show the equipment, i.e. tools, fasteners, hardware and consumables required to complete the fitment of the Volkswagen Amarok Canopy Camper.

Hardware supplied with the Volkswagen Amarok Canopy Camper Mounting Brackets:

PART NUMBER	DESCRIPTION	MATERIAL	QTY.
Amarok Front Bracket Rev J	Amarok Front Bracket	Mild Steel (3mm)	2
Amarok Canopy MNT - ALR Rev A	Amarok Canopy MNT - Left Rear	Mild Steel (3mm)	1
Amarok Canopy MNT - ARR Rev A	Amarok Canopy MNT - Rear Right	Mild Steel (3mm)	1
162-AMAROK-MNT-BRKT-01-00	MOUNTING BRACKET	AISI 304 (3mm)	4
DIN 933 M8x20 Hex Head Bolt	Hex Head Bolt	AISI 316	20
ISO 7040 M8 Nyloc Nut	Nyloc Nut	AISI 316	20
M8 Nut Cap	Plastic Nut Cap	PE Low/Medium Density	28
DIN 125A M8 Flat Washer	Flat Washer	AISI 316	28
DIN 125B M8 Spring Washer - Compressed	M8 Spring Washer	AISI 316	8
M8x30 Hex Head Bolt	Hex Head Bolt	AISI 316	8

1.1 Tools required to fit the Volkswagen Amarok Canopy Camper Mounting Brackets:

Tool	Purpose
13mm Spanner/Ratchet	Fastening Nuts and Bolts
Drill and 9mm Drill Bit	Making Holes

2. Fitting the Canopy Camper Mounting Brackets

Step 1: Installing the Amarok Mounting Brackets

Our first step in fitting our Amarok Canopy Camper is to install the Mounting Brackets into the Vehicle Load Bin. All 4 must be installed before moving forward with the fitment, there is no particular order in which they should be installed.

We can start at the Front Right of the Load Bin as shown in the images below:

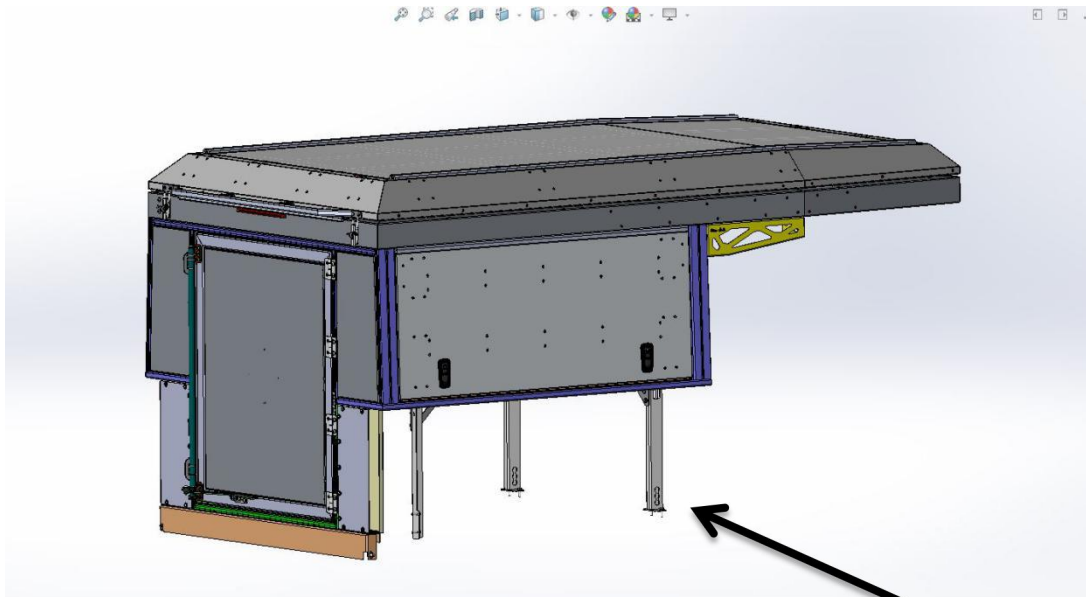


Figure 1: Front Right Mounting Bracket

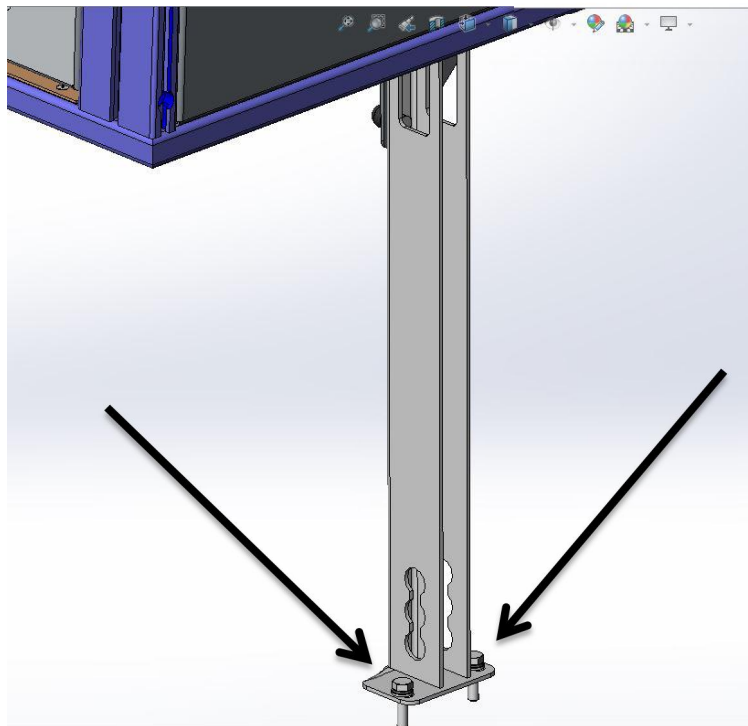


Figure 2: 2 Hex Bolts will be inserted through the slots in the Mounting Bracket

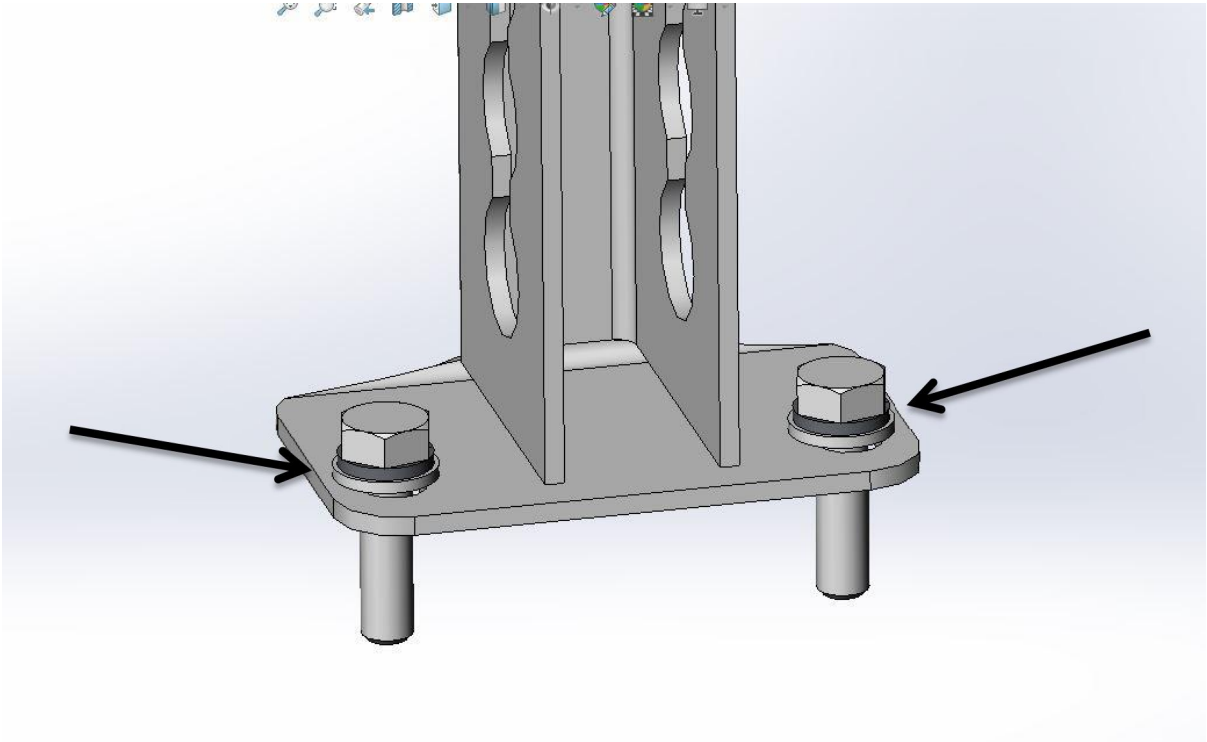


Figure 3: Use a Flat Washer and Spring Washer with the Hex Nut

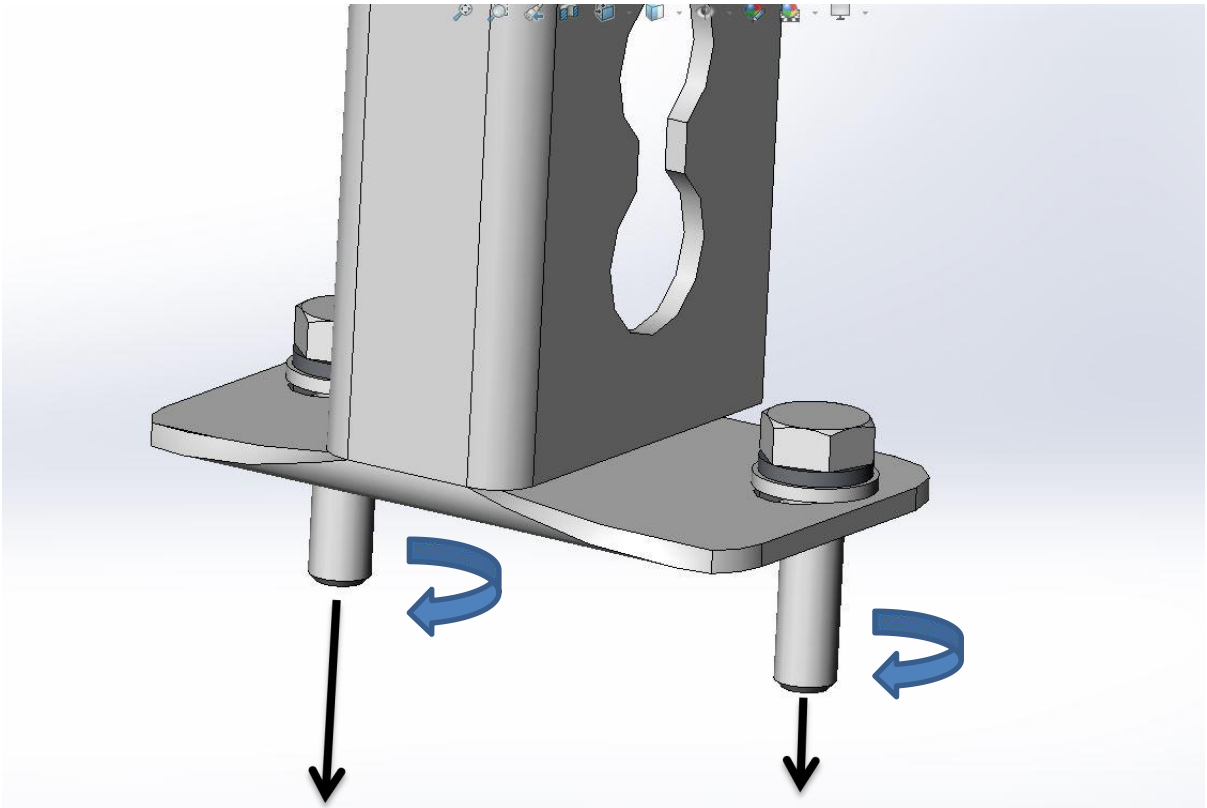


Figure 4: Fasten the Hex Bolts Into the Existing Holes in the Load Bin on the Front Right floor

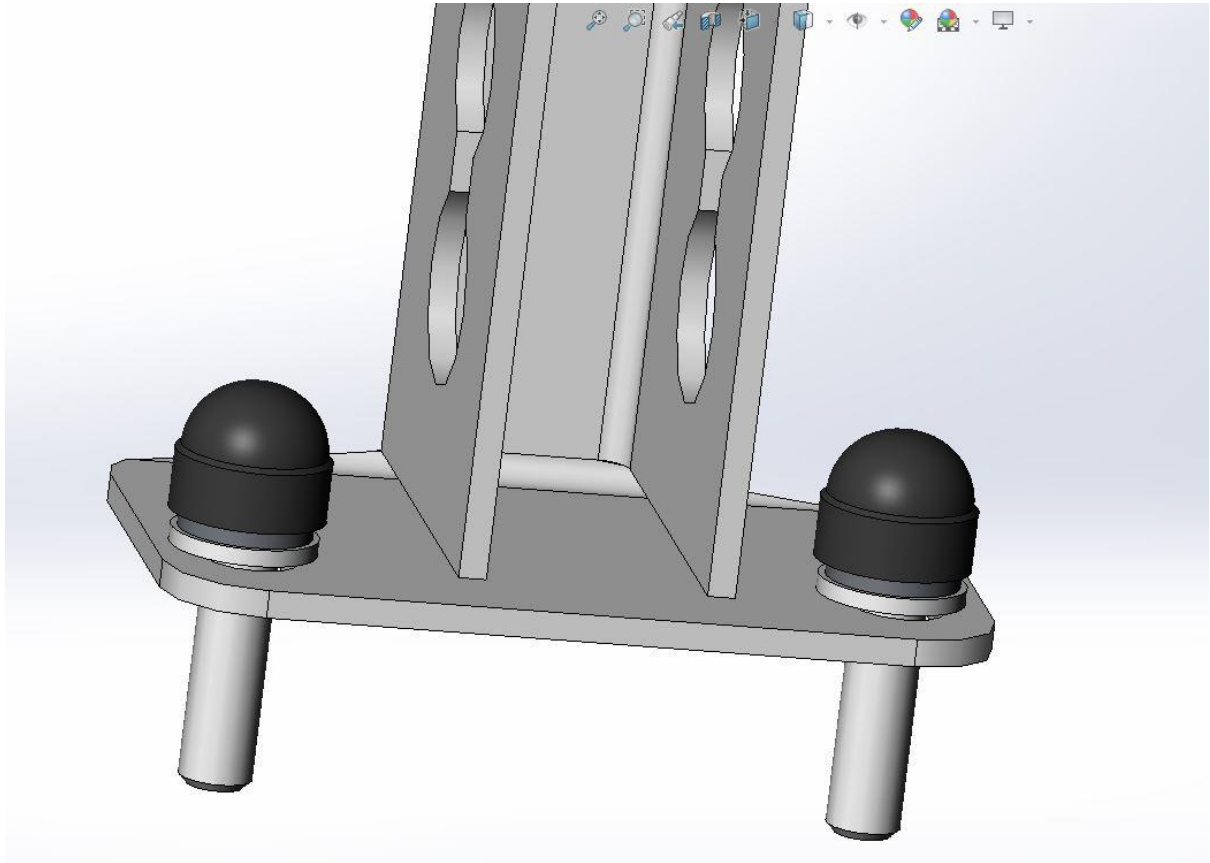


Figure 5: Nut Caps must be placed on the Hex Bolts

Step 2: Installing the Rear Right Mounting Bracket

For this step we need to install the Rear Right Mounting Bracket.

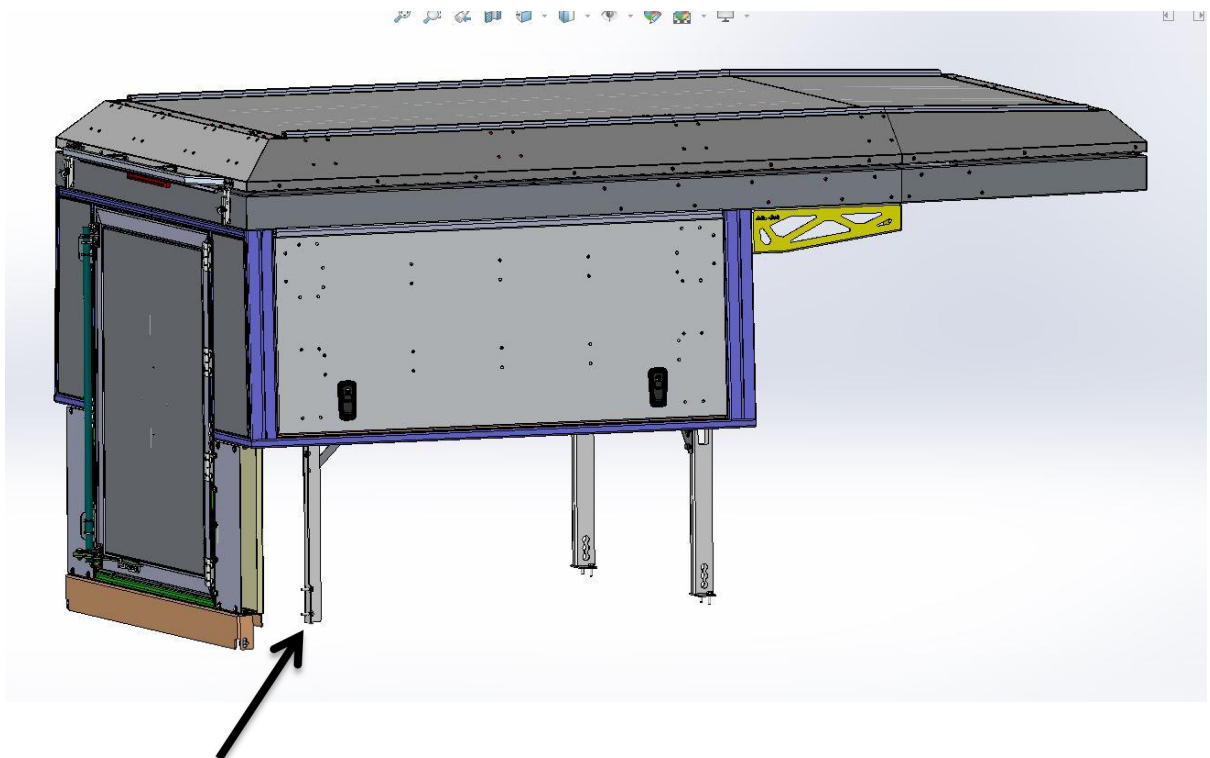


Figure 6: Rear Right Mounting Bracket

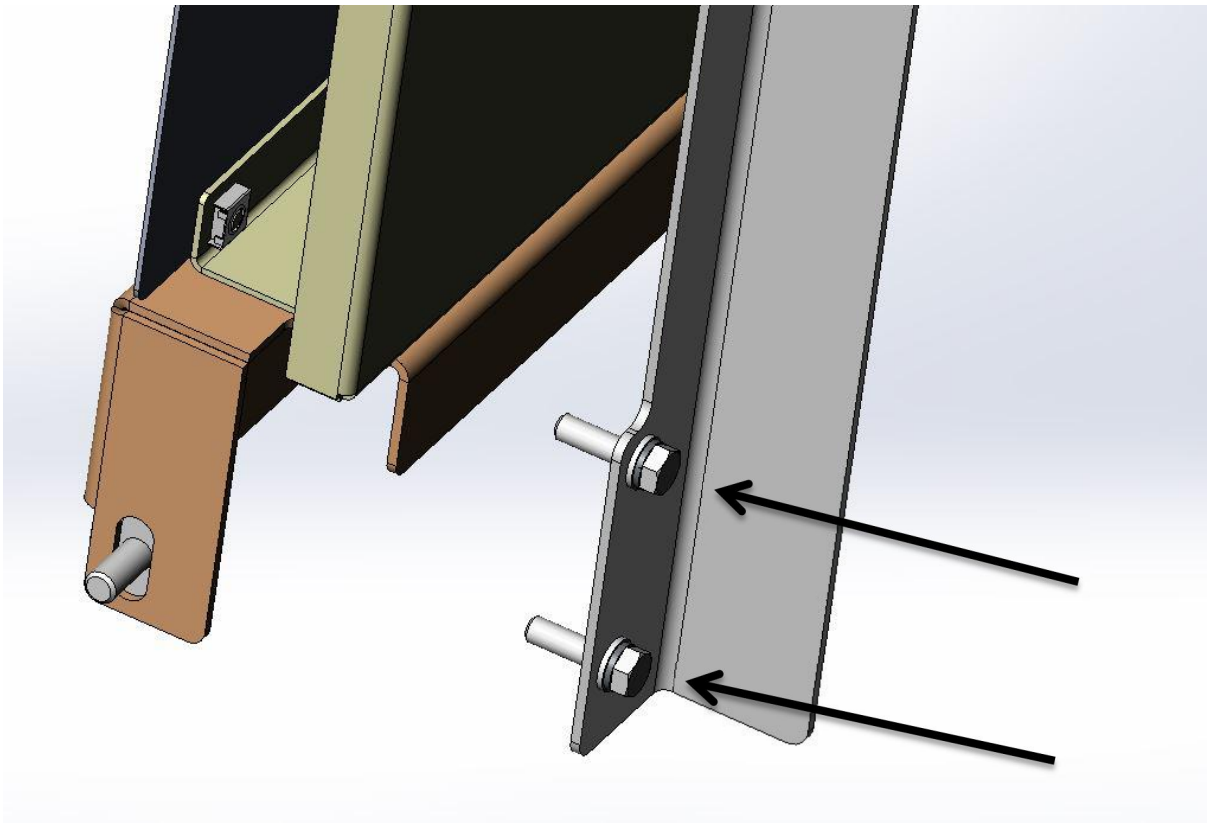


Figure 7: Insert 2 Hex Bolts with a Spring Washer and Flat Washer through the Bracket holes into the existing holes in the Load Bin

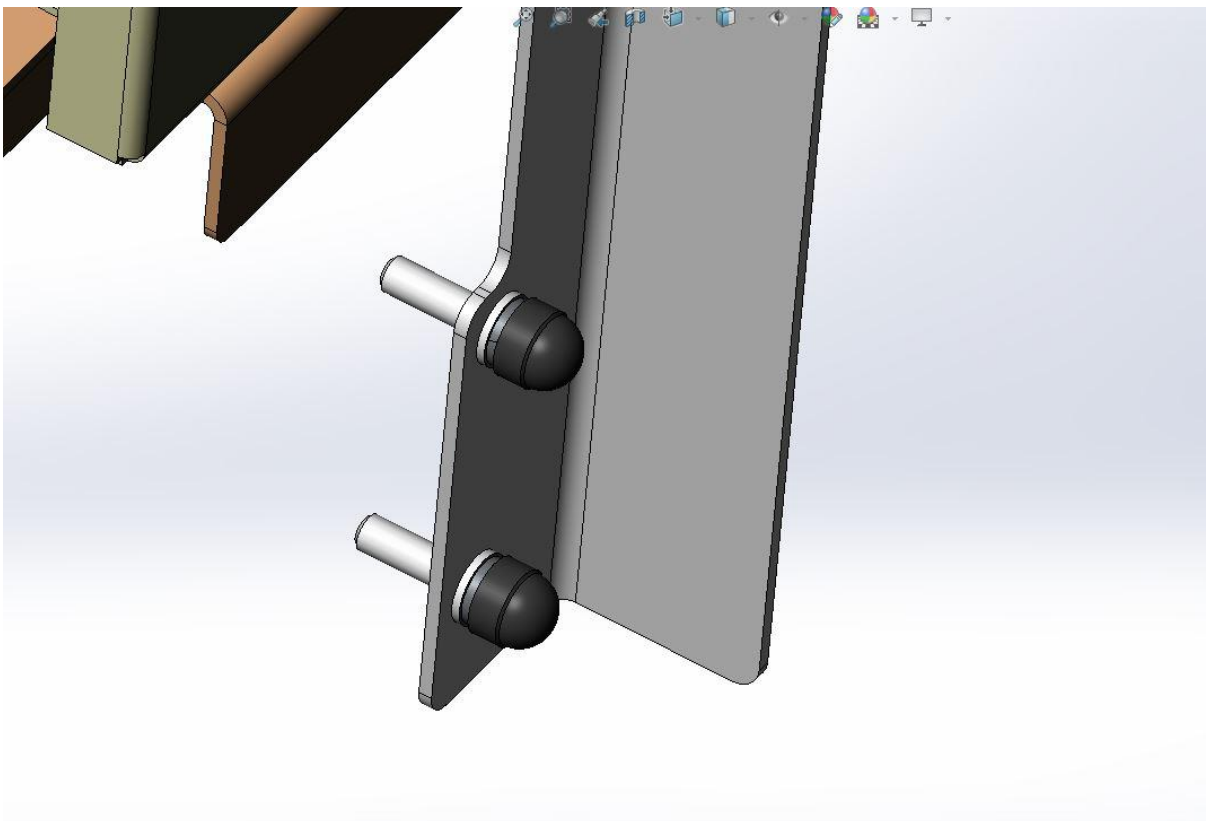


Figure 8: Add Nut Caps to the Hex Bolts

Step 3: Installing the Canopy Camper Mount Brackets

The next step is to install the triangular Canopy Camper Mount Brackets to the Nut Slots found on the base frame of the Canopy Camper. To start, insert 3 Hex Bolts into the front Nut Slot, close to the Front Right Bracket as shown below:

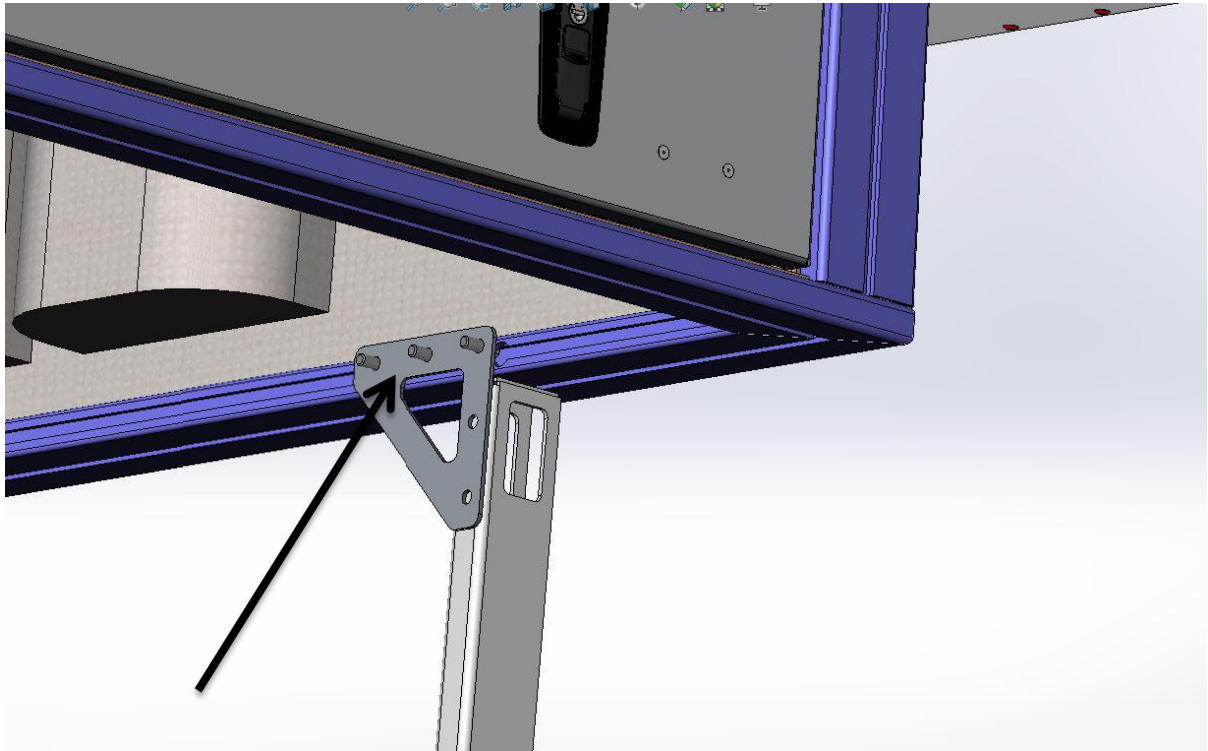


Figure 9: Hex Nuts inserted into the Canopy Camper Nut Slot, you can now place the the Bracket over these exposed Hex Nuts

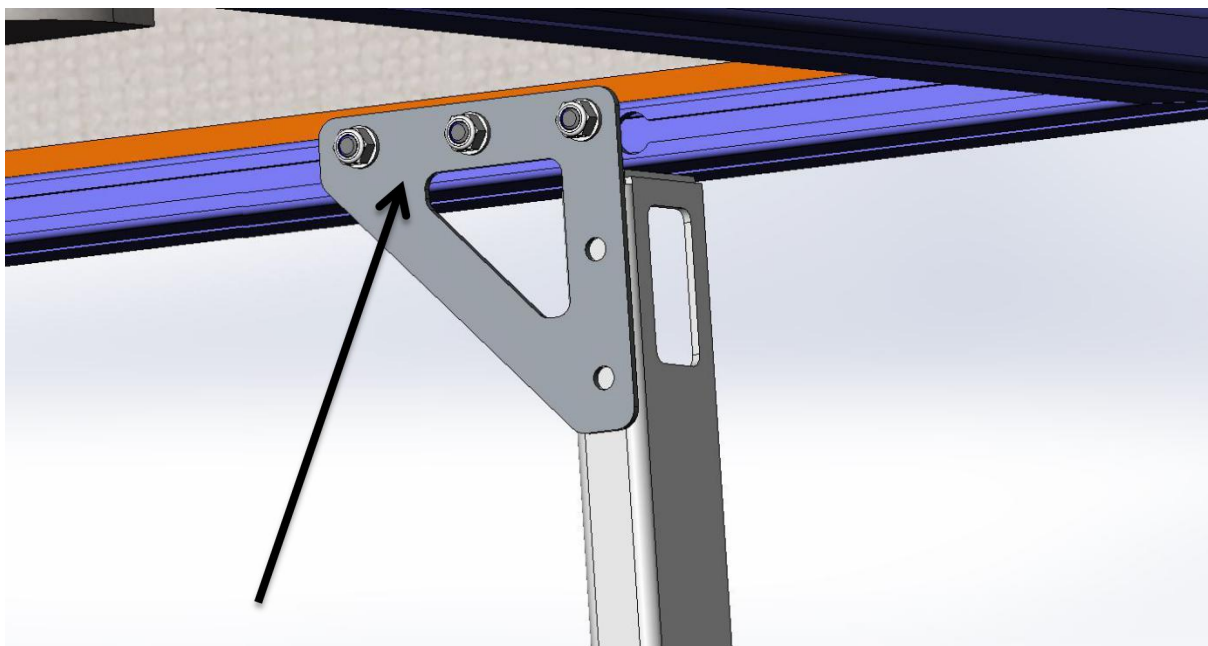


Figure 10: We can now place a Flat Washer and Nyloc Nut on the Hex Bolts

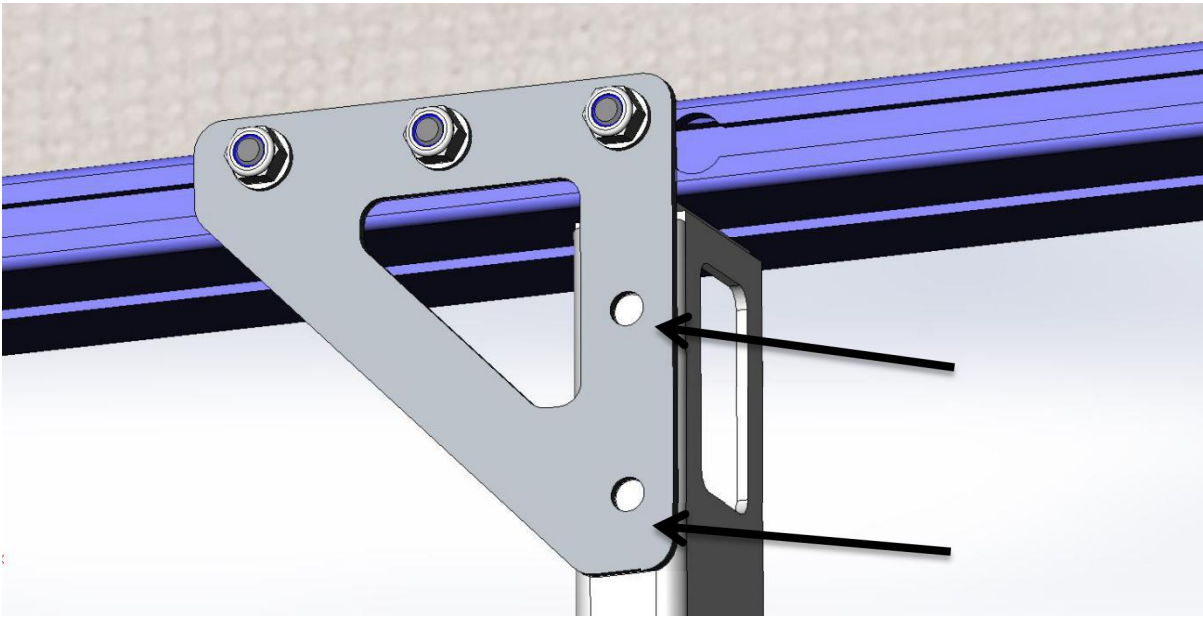


Figure 11: We now need to drill 2 holes through the upright Bracket using the Triangular plate as a guide

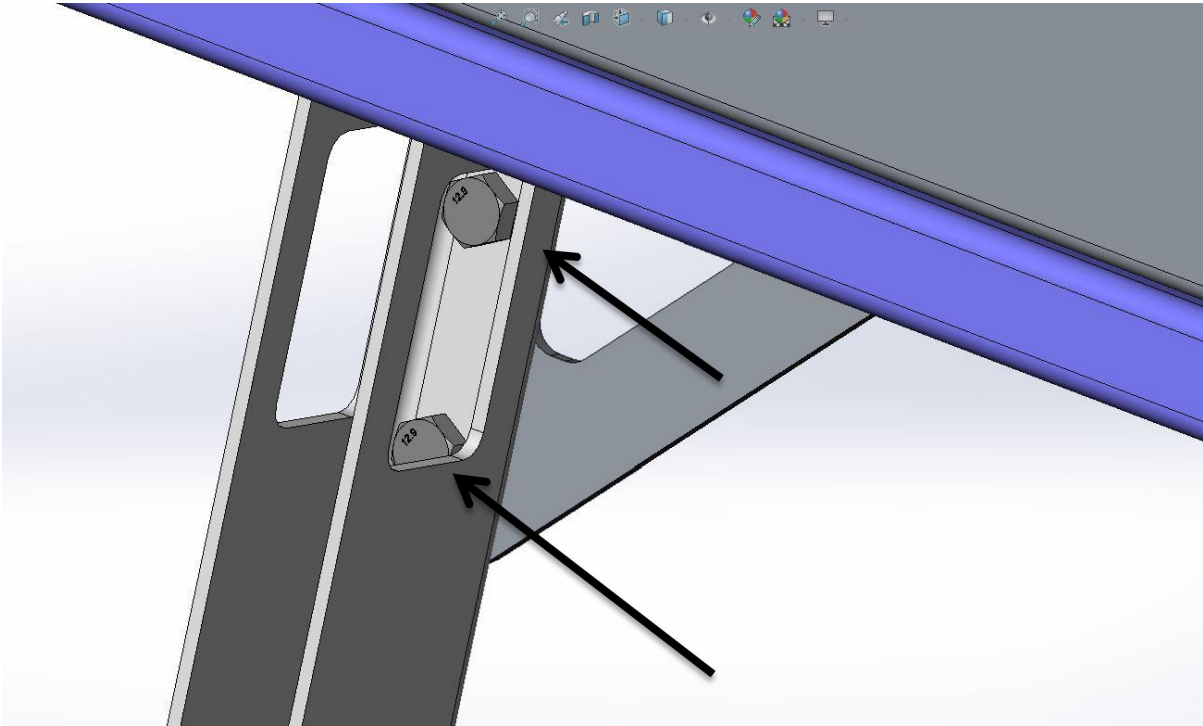


Figure 12: Place 2 Hex bolts from the opposite side where we just drilled, through the drilled holes

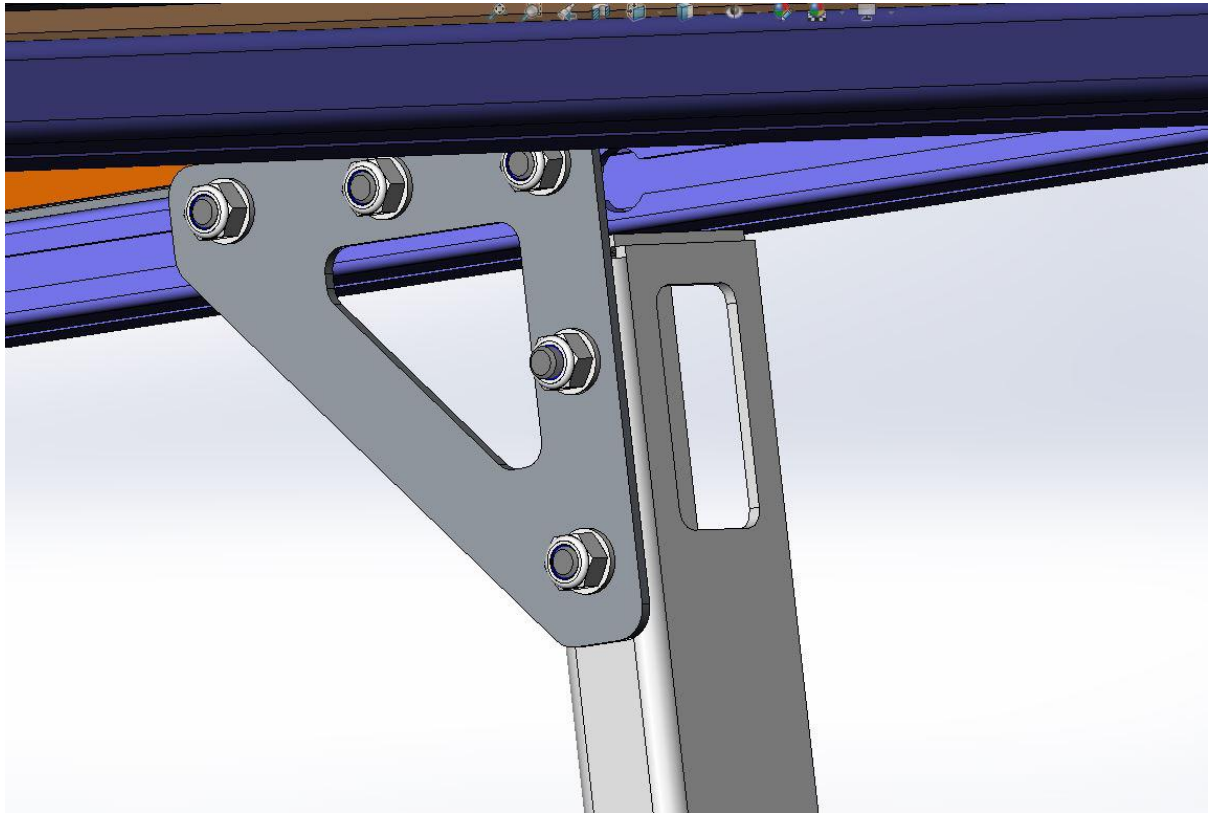


Figure 13: We can now add Flat Washers and Nyloc Nuts to the Hex Bolts to fasten them

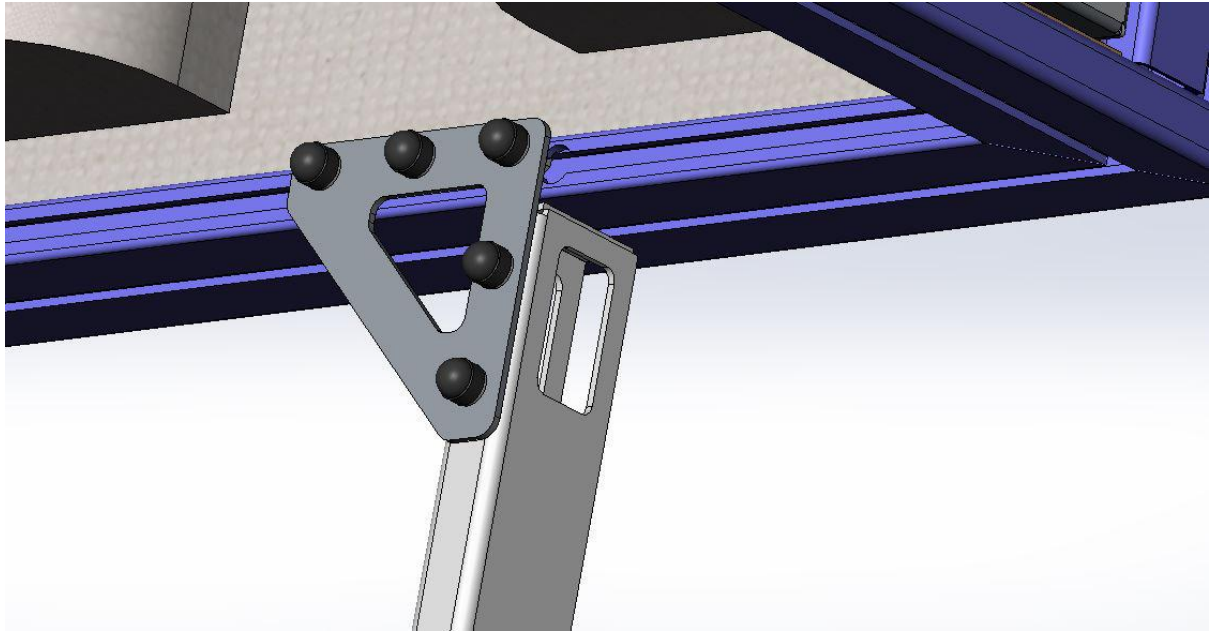


Figure 14: Nut Caps are added to finish off the exposed Nuts and Bolts

Step 4: Installing the Rear Canopy Camper Mount Brackets

For this step we need to install the Rear Canopy Camper Mount Brackets to the Load Bin Mounted Bracket.

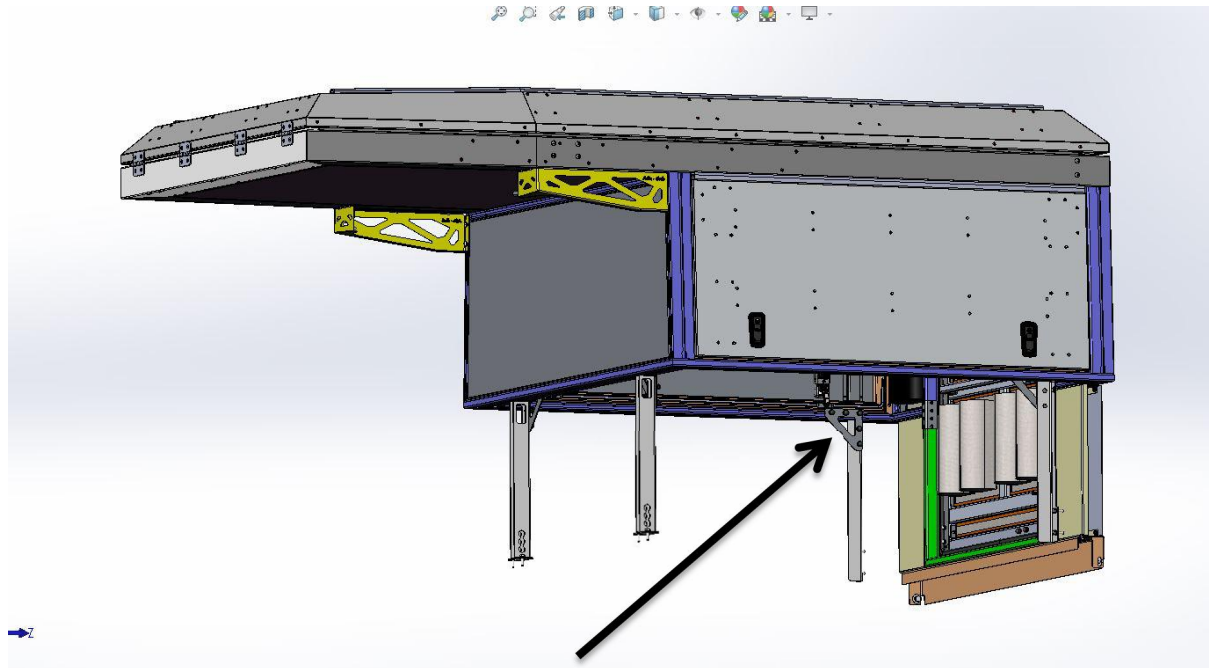


Figure 15: Rear Canopy Camper Mount Bracket

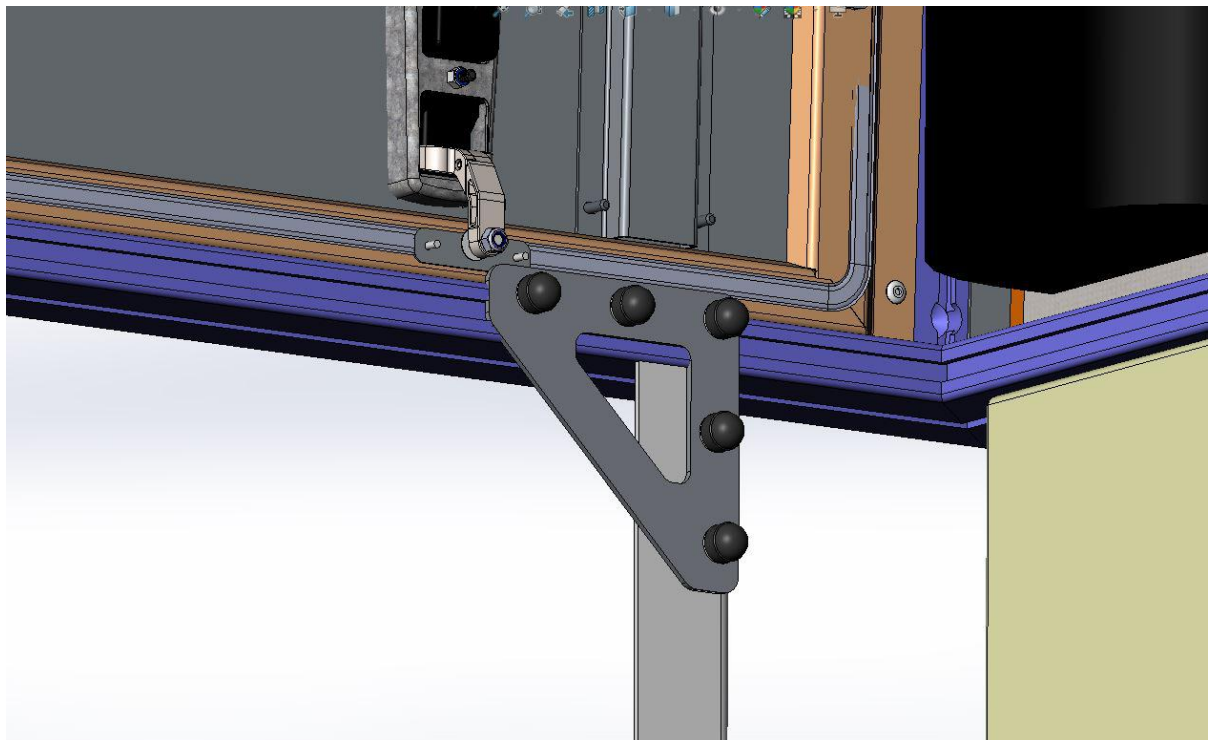


Figure 16: You can follow the process for Step 3 to install this bracket, it is the same regarding the drilling of the 2 holes and fastening, just on the right hand side Nut Slot not the Front

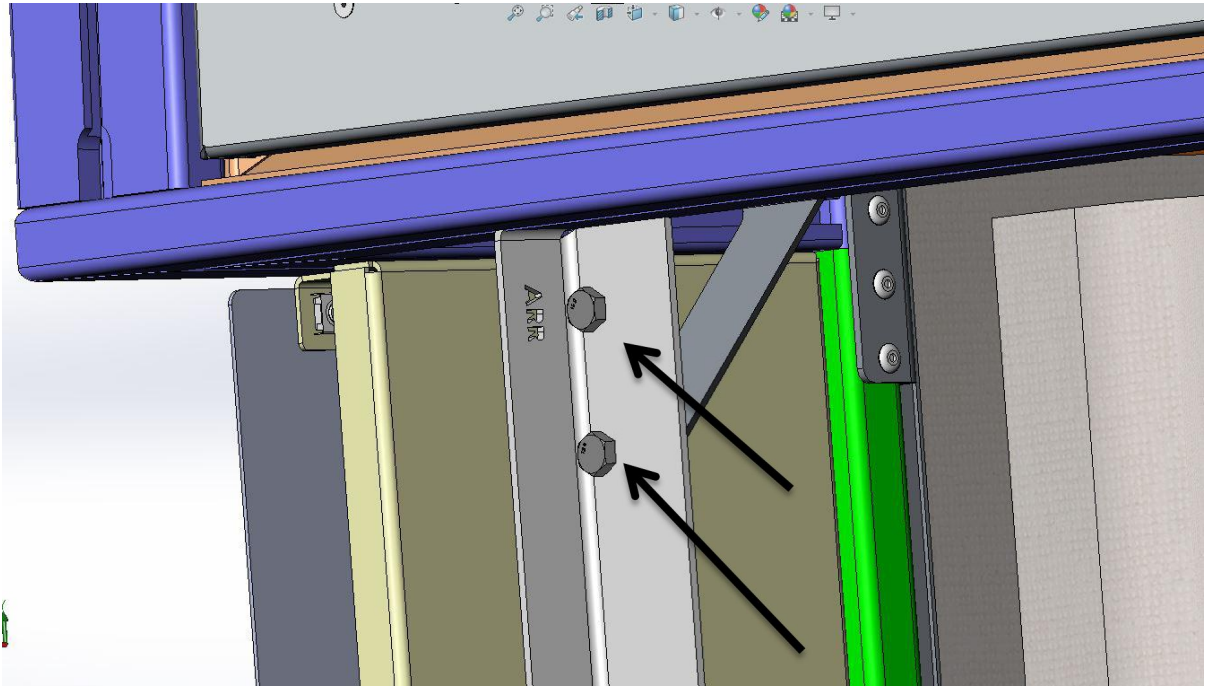


Figure 17: Drilled holes with Hex Nut Fasteners installed

Step 5: Left Hand Side

Repeat Steps 1-4 on the Left Hand Side to Complete the Mounting of your Canopy Camper.