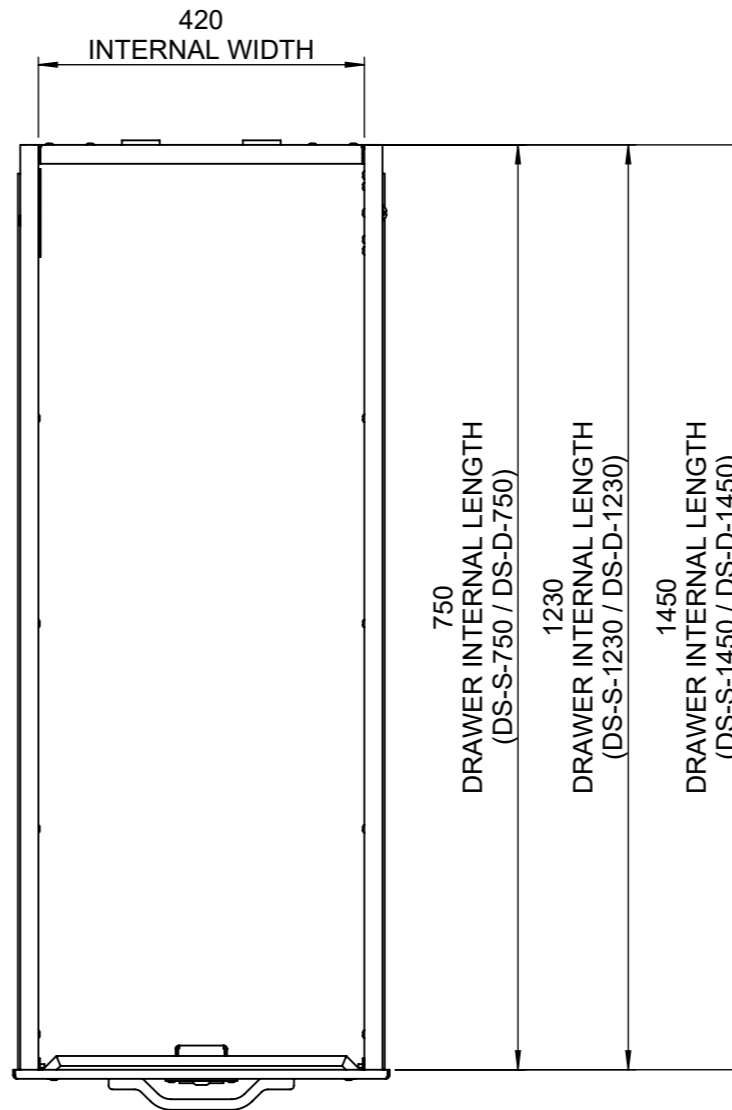
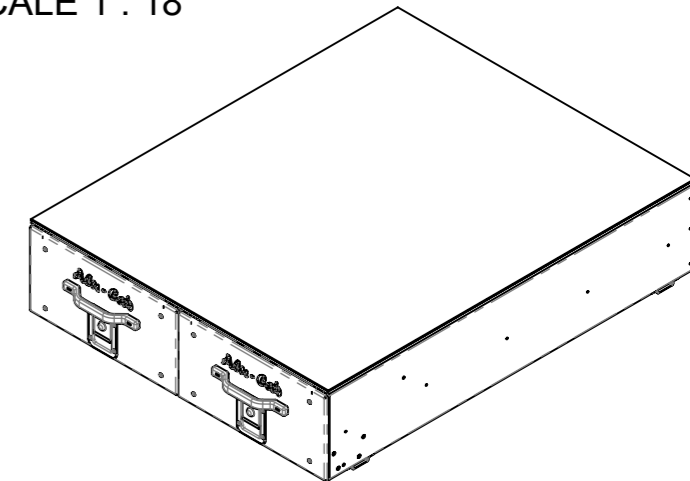


EXTERNAL DIMENSIONS

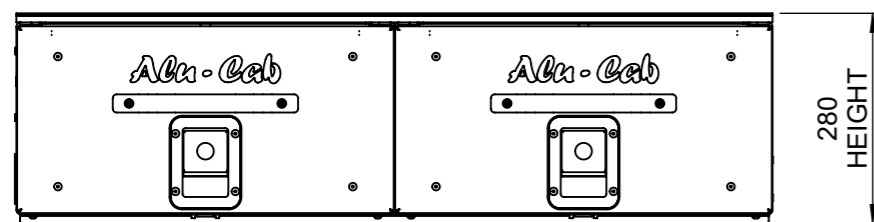
INTERNAL DIMENSIONS



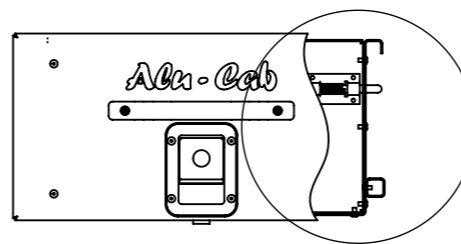
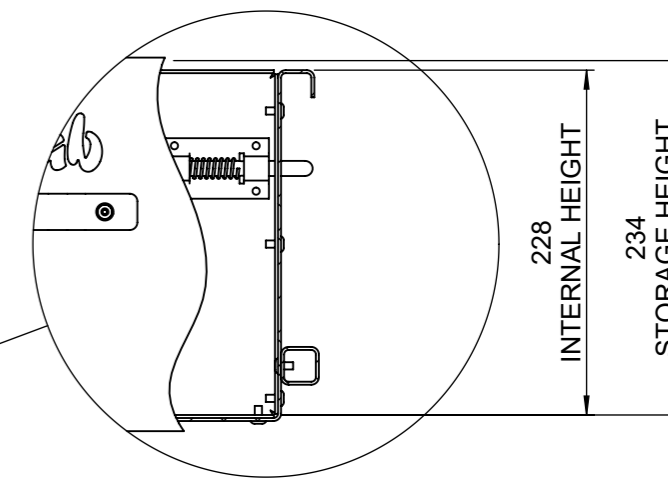
**ISOMETRIC VIEW
SCALE 1 : 18**



THE ALU-CAB DRAWER SYSTEMS ARE AVAILABLE IN THREE DIFFERENT LENGTH VARIATIONS, IN BOTH SINGLE AND DOUBLE CONFIGURATION. (NOTE THE PRODUCT CODES LINKED TO PRODUCT-SPECIFIC DIMENSIONS)



**INTERNAL DRAWER DETAIL
(BEARING ASSEMBLY HIDDEN FOR CLARITY)
SCALE 1 : 5**

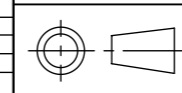


TOLERANCES TO ASSUME UNLESS INDICATED OTHERWISE

NOM DIMENSION	RANGE (mm)	TOLERANCE
0.50	- 3.00	± 0.10
3.00	- 6.00	± 0.15
6.00	- 30	± 0.20
30	- 120	± 0.30
120	- 400	± 0.50
400	- 1000	± 1.00
1000	- 1000<	± 2.00

DESCRIPTION:
DRAWER SYSTEMS - GA

PROJECT:
ACCESSORIES



DRAWN BY:
B NEEDHAM

DATE:
08.04.20

THE INFORMATION CONTAINED WITHIN THIS DOCUMENT IS THE INTELLECTUAL PROPERTY OF ALU-CAB (PTY) LTD

SHEET:
A3
SCALE:
1:10

SHEET
1 of 1



DRAWING NO.
DRAWER SYSTEMS - GA

REV
00

REVISIONS

REV.	DESCRIPTION	ECO	DATE	APPROVED
1				
2				
3				
4				
5				