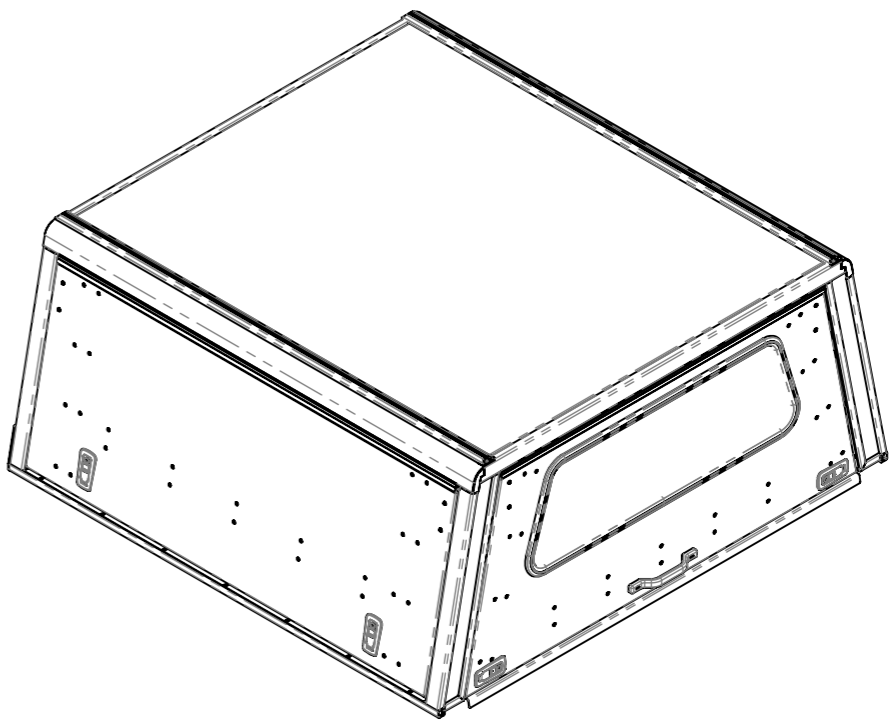
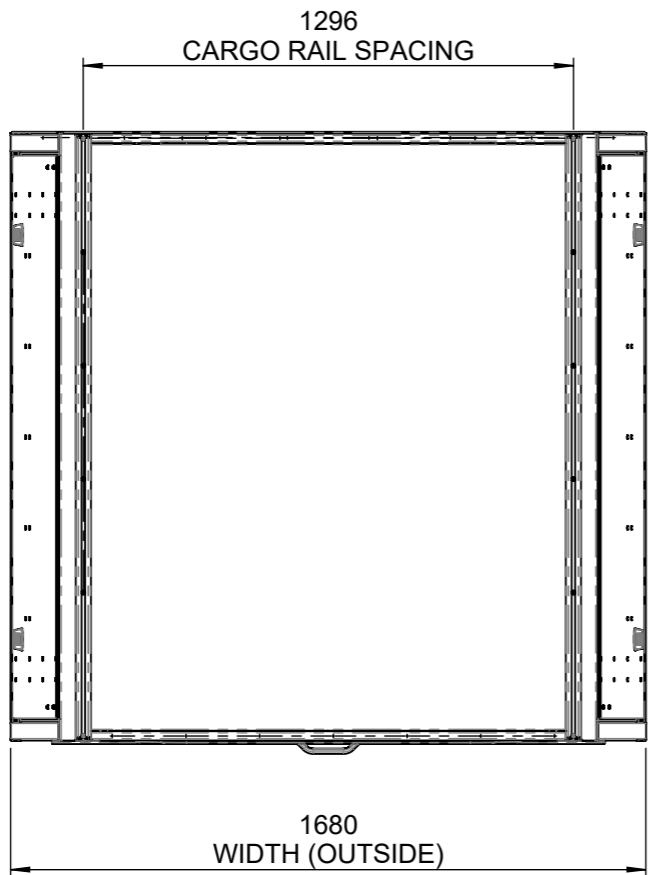
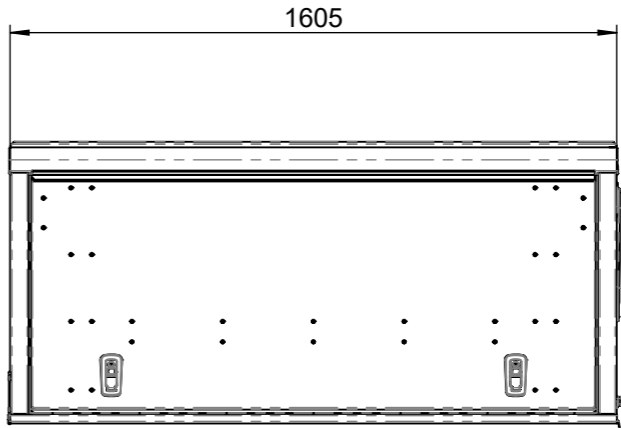
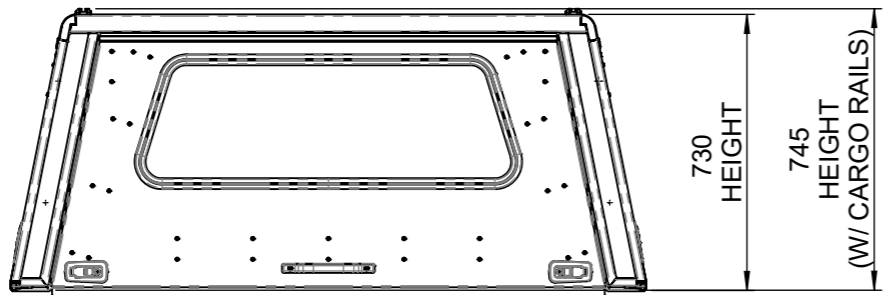


GENERAL ARRANGEMENT ONLY

ASSY INFO	MASS (kg):	
	BONDED:	
	FASTENED:	
FINISH	WELDED:	
	TUMBLED:	
	BRUSHED:	
	POWDER:	
	SPRAY:	
	COLOUR:	



TOLERANCES TO ASSUME
UNLESS INDICATED OTHERWISE

NOM	DIMENSION	RANGE (mm)	TOLERANCE
0.50	-	3.00	± 0.10
3.00	-	6.00	± 0.15
6.00	-	30	± 0.20
30	-	120	± 0.30
120	-	400	± 0.50
400	-	1000	± 1.00
1000	-	1000<	± 2.00

DESCRIPTION: TOYOTA L/CRUISER DC CANOPY-GA		SHEET: A3
PROJECT: -		SCALE: 1:20
DRAWN BY: T.MOODALY	DATE: 31-08-2020	DRAWING NO. EX CANOPY GA - TOYOTA LAND CRUISER DC
THE INFORMATION CONTAINED WITHIN THIS DOCUMENT IS THE INTELLECTUAL PROPERTY OF ALU-CAB (PTY) LTD		

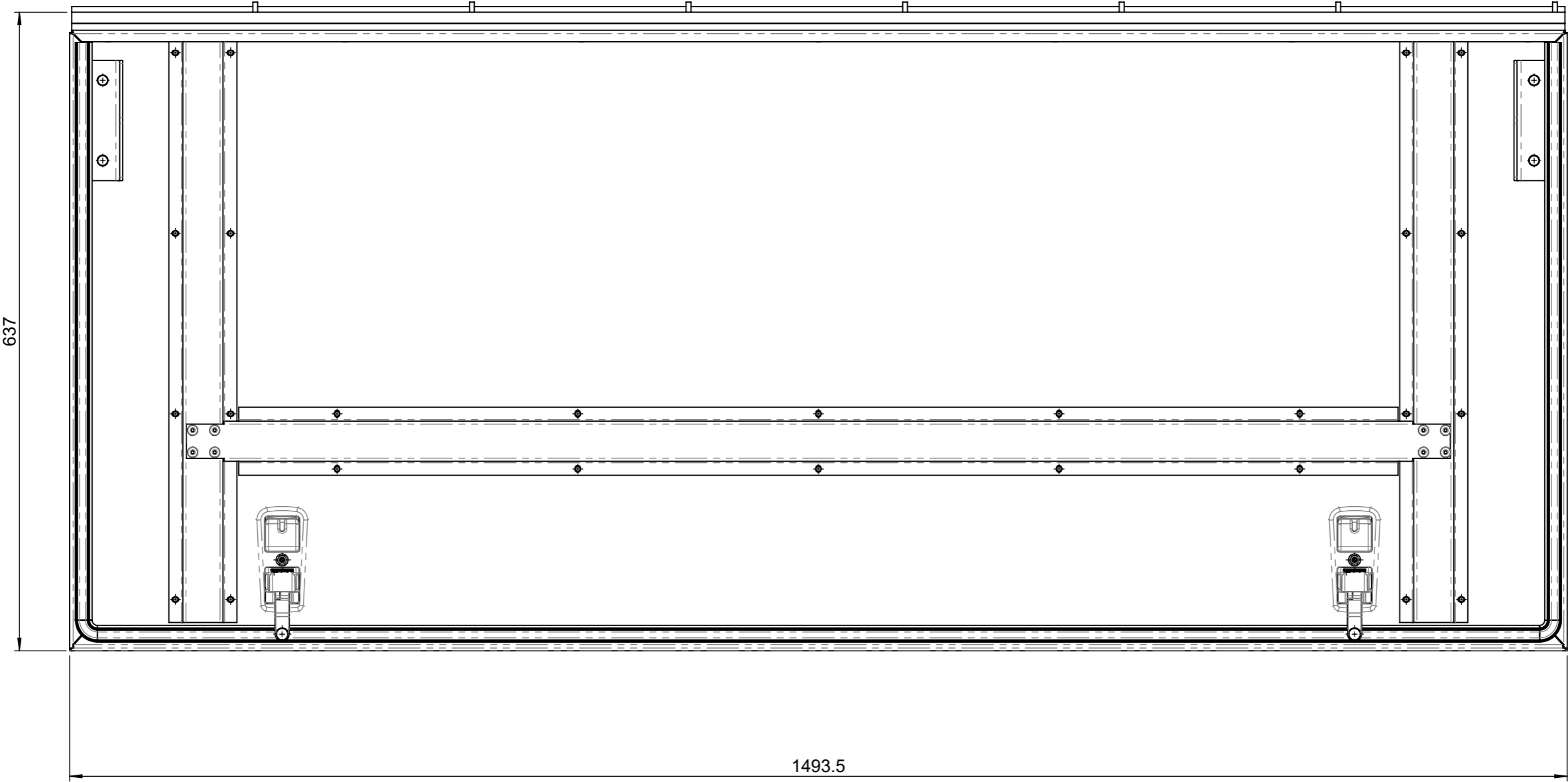
SHEET: A3		SHEET 1 of 2	
SCALE: 1:20			
DRAWING NO. EX CANOPY GA - TOYOTA LAND CRUISER DC		REV	

REV.	DESCRIPTION	DATE	APPROVED

GENERAL ARRANGEMENT ONLY

SIDE DOOR ASSEMBLY

ASSY INFO	MASS (kg):	
	BONDED:	
	FASTENED:	
FINISH	WELDED:	
	TUMBLED:	
	BRUSHED:	
	POWDER:	
	SPRAY:	
	COLOUR:	



**TOLERANCES TO ASSUME
UNLESS INDICATED OTHERWISE**

NOM DIMENSION	RANGE (mm)	TOLERANCE
0.50	- 3.00	± 0.10
3.00	- 6.00	± 0.15
6.00	- 30	± 0.20
30	- 120	± 0.30
120	- 400	± 0.50
400	- 1000	± 1.00
1000	- 1000<	± 2.00

DESCRIPTION:
TOYOTA L/CRUISER DC CANOPY-GA

PROJECT:
-

DRAWN BY:
T.MOODALY

DATE:
31-08-2020

THE INFORMATION CONTAINED WITHIN THIS DOCUMENT IS THE INTELLECTUAL PROPERTY OF ALU-CAB (PTY) LTD

SHEET:
A3

SCALE:
1:20

SHEET
2 of 2



DRAWING NO. **EX CANOPY GA - TOYOTA LAND CRUISER DC**

REV