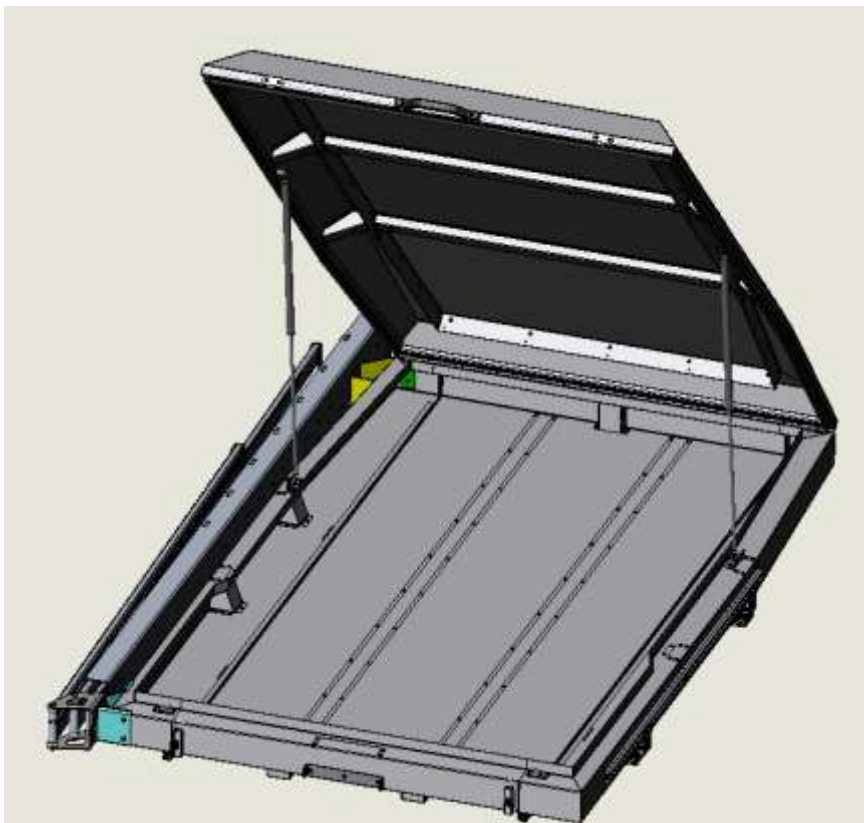
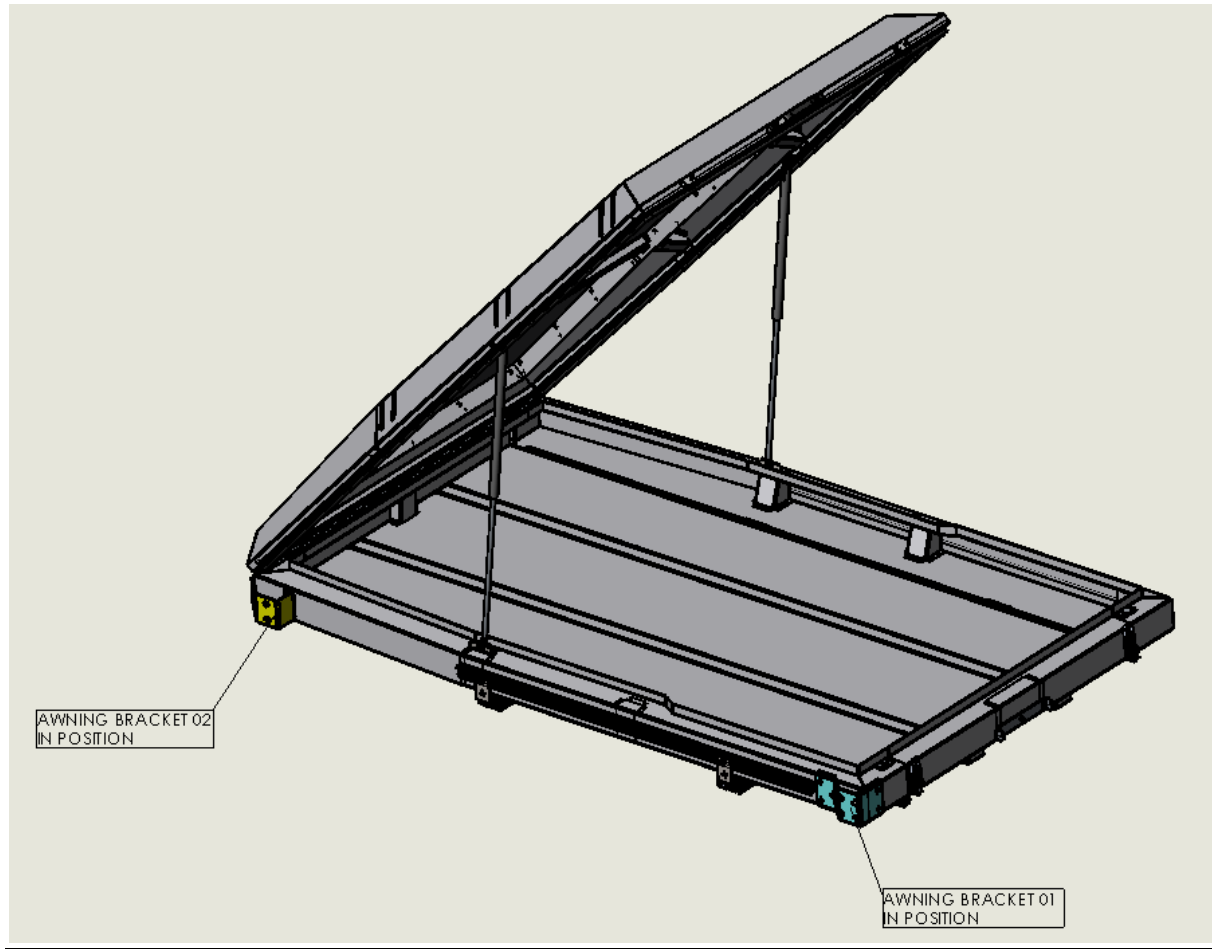




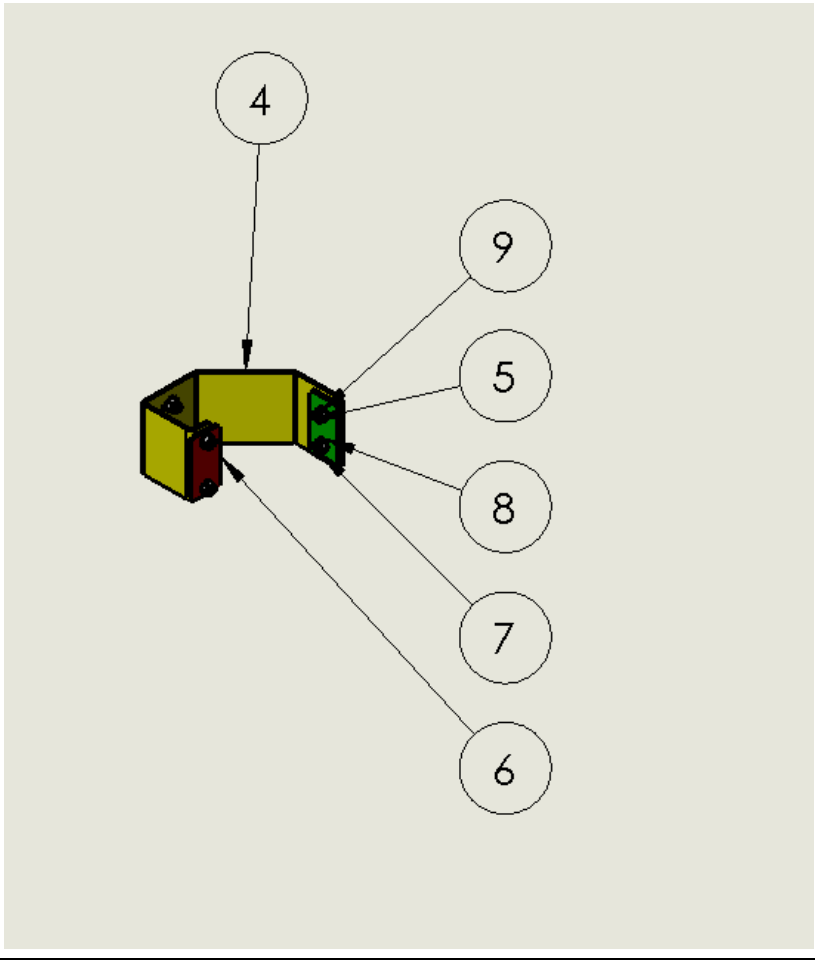
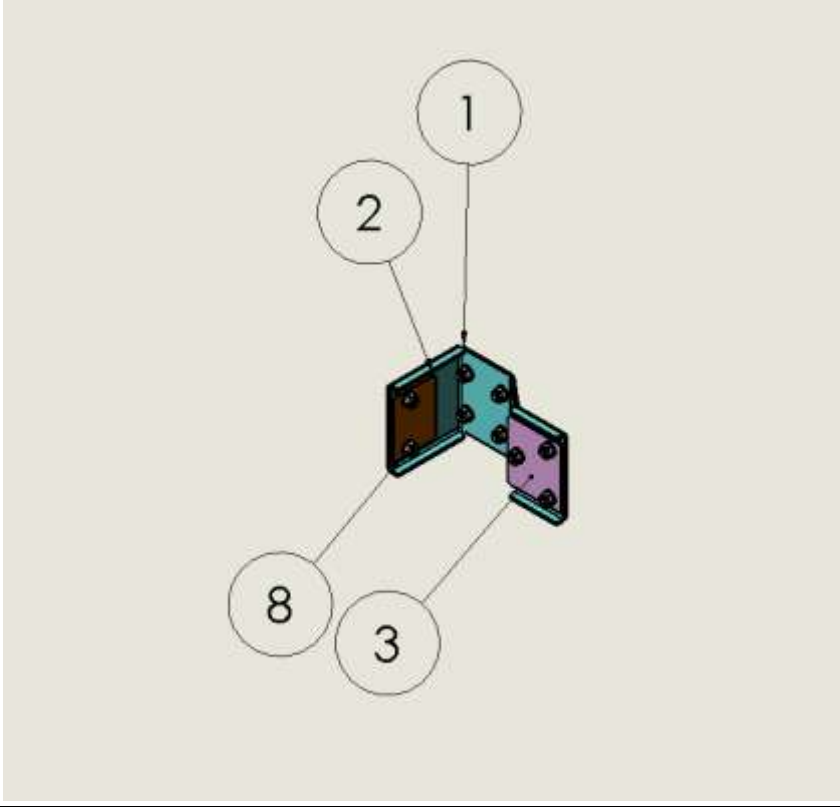
# Awning to Gen 3 Tent Mounting Fitment Instructions



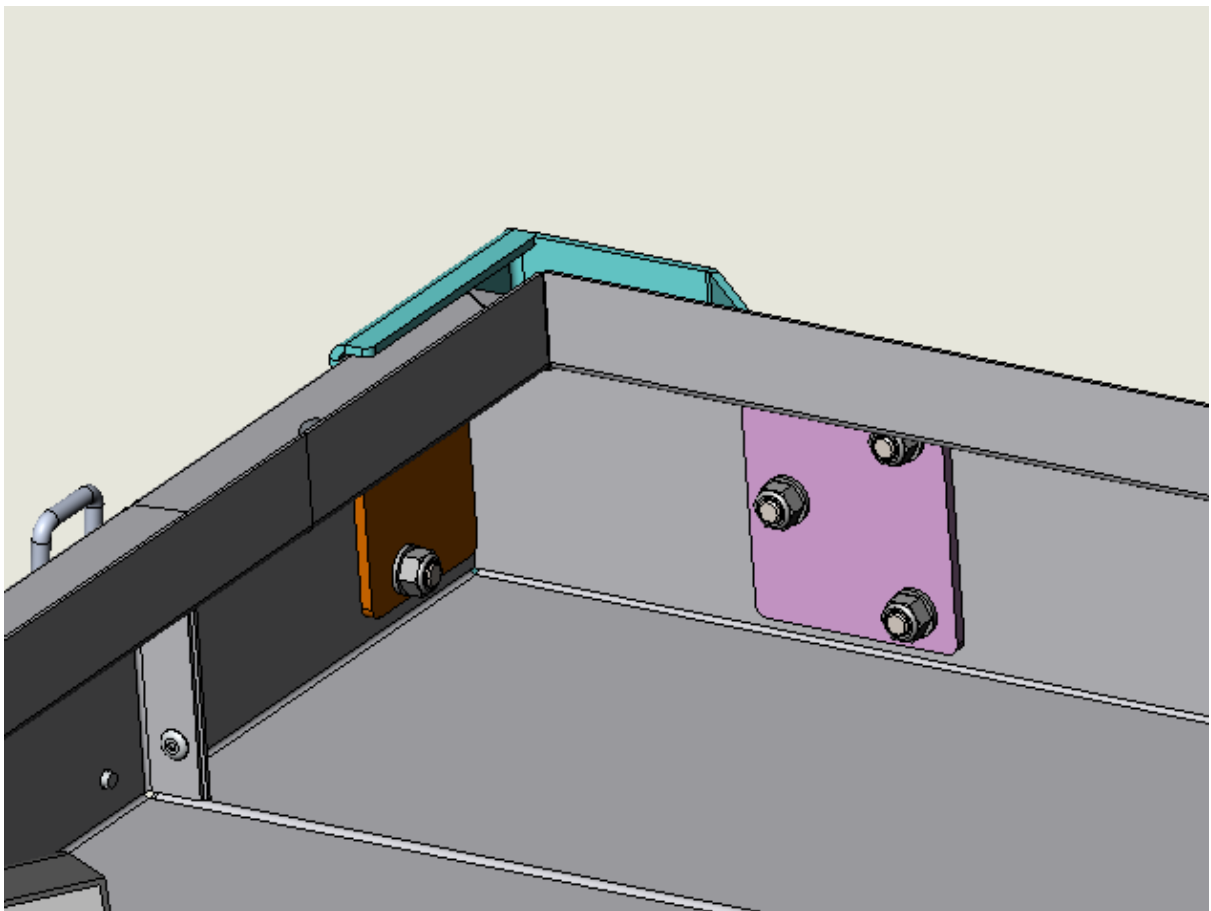


## LIST OF COMPONENTS:

<u>ITEM NO.</u>	<u>NUMBER</u>	<u>DISCRIPTION</u>	<u>QTY.</u>
1	AWN-BKT-01-001	AWNING BRACKET 01	1
2	AWN-BKT-01-002	BACKING PLATE	1
3	AWN-BKT-01-003	BACKING PLATE	1
4	AWN-BKT-02-001	AWNING BRACKET 02	1
5	AWN-BKT-02-002	BACKING PLATE	1
6	AWN-BKT-02-003	BACKING PLATE	1
7	M8x20 BUTTON HEAD SCREW	M8x20 BUTTON HEAD SCREW	15
8	M8 FLAT WASHER	M8 FLAT WASHER	15
9	M8 NYLOCK NUT	M8 NYLOCK NUT	15



View showing bracket 01 bolted in position.



View showing bracket 02 bolted in position.

