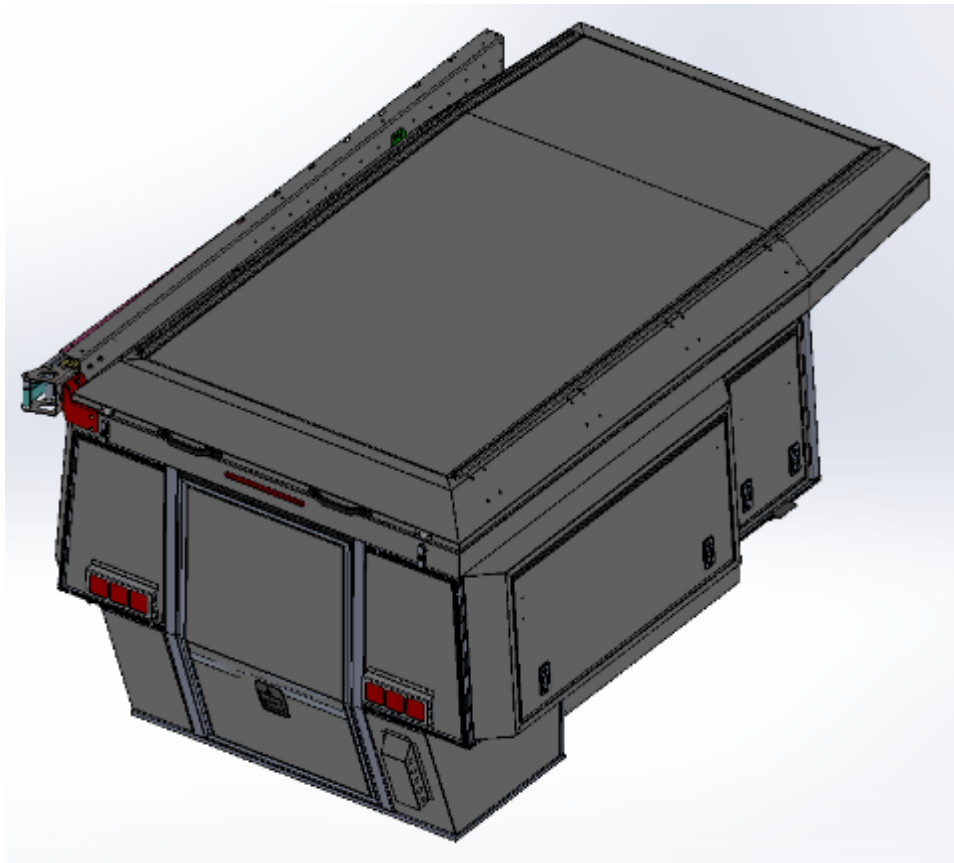
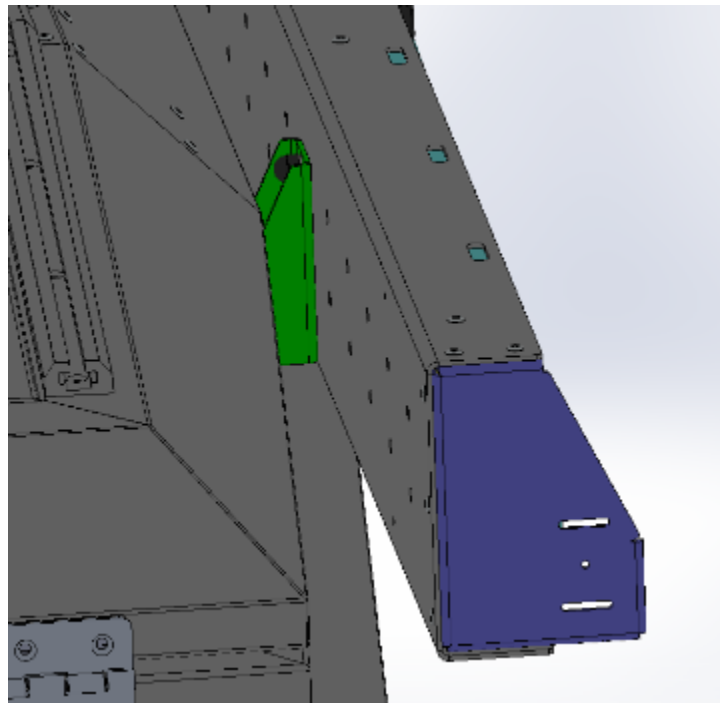
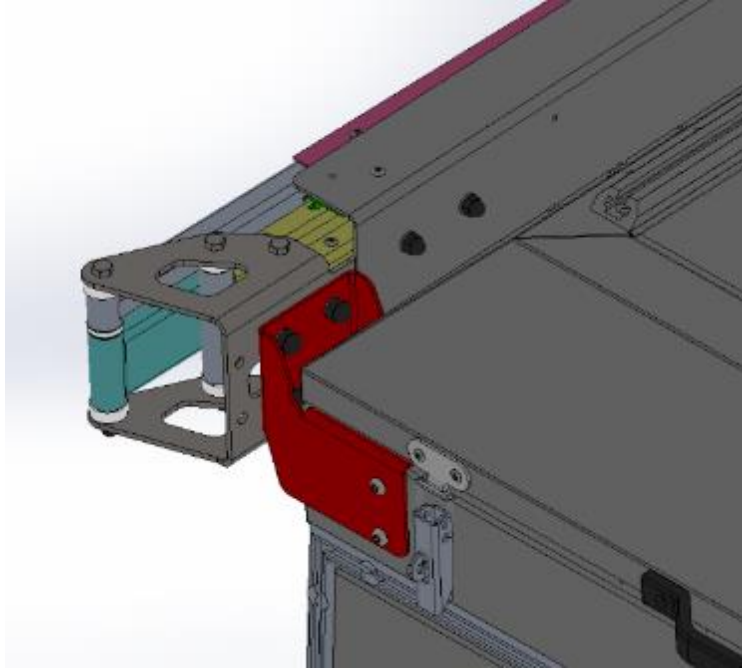




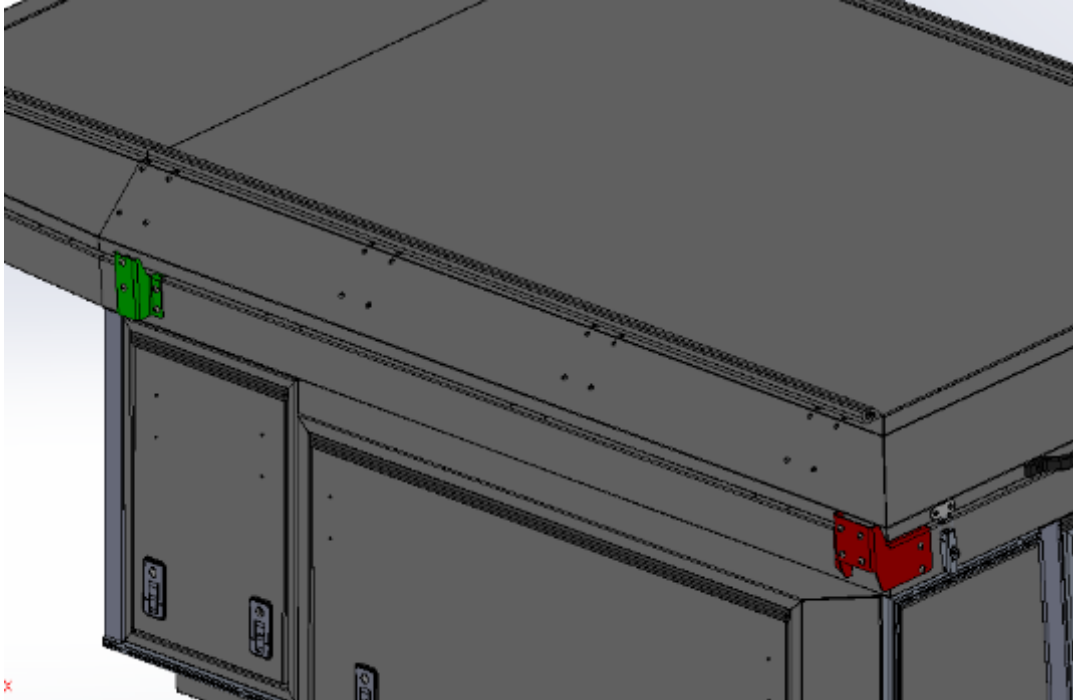
Awning to Khaya Camper Fitment Instructions



DETAIL VIEW OF EACH MOUNTING BRACKET.



MOUNTING BRACKETS IN POSITION.

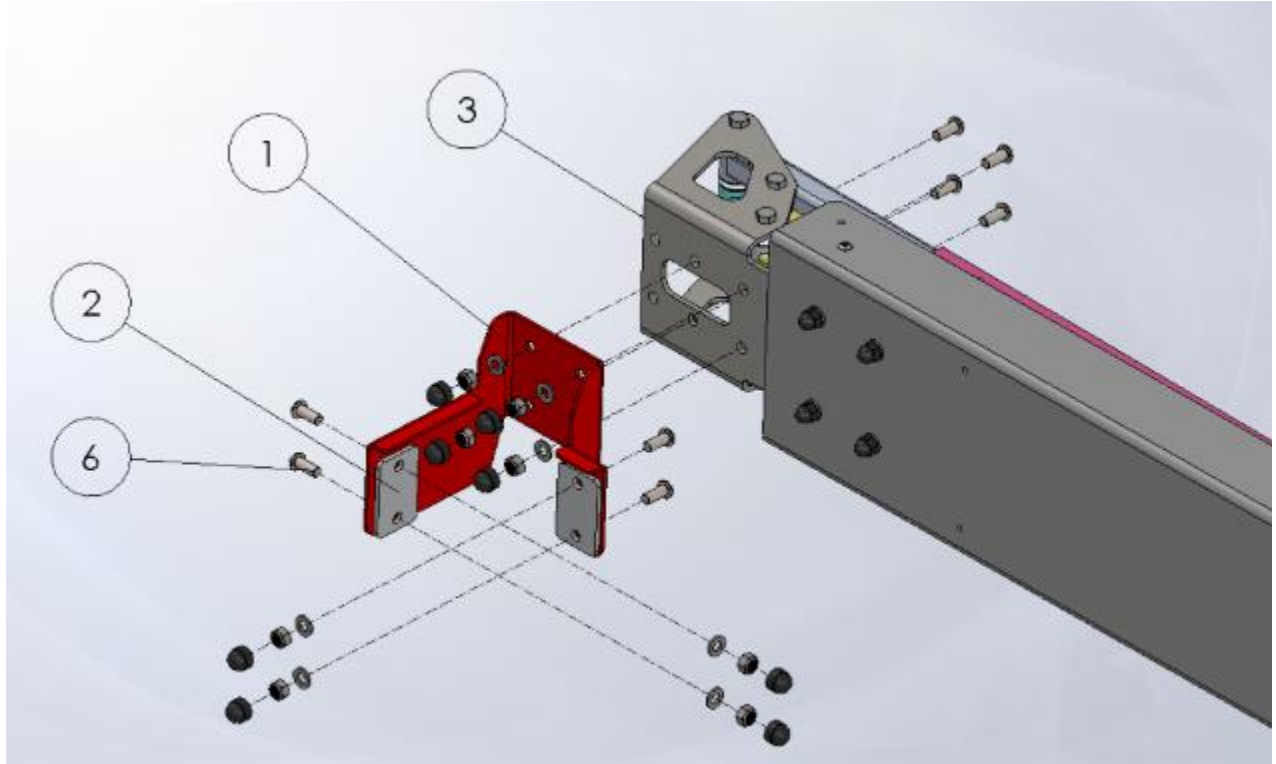


LIST OF COMPONENTS:

ITEM NO.	PART NUMBER	DESCRIPTION	QTY.
1	AWN-CPR-000-001	Rear Awning Bracket	1
2	AWN-CPR-000-003	Rear Awning backing plate	2
3	AWN-000-000 - V03	Shadow Awning	1
4	M8 Flat Washer	M8 Flat Washer	28
5	M8 Nyloc Nut	M8 Nyloc Nut	14
6	M8x20 button head screw	M8x20 button head screw	14
7	M8 Nut Cap	M8 plastic nut cap	14
8	AWN-CPR-000-002	Front Awning bracket	1
9	132-AWN-REIN-BRKT-01-00	Khaya Awning support brkt	1

DETAIL VIEW OF REAR AWNING BRACKET

*NOTE: Part Number 2 (AWN-CPR-000-003) is placed inside camper.



DETAIL VIEW OF FRONT AWNING BRACKET

*NOTE: Part Number 9 (132-AWN-REIN-BRKT-01-00) is placed inside camper.

