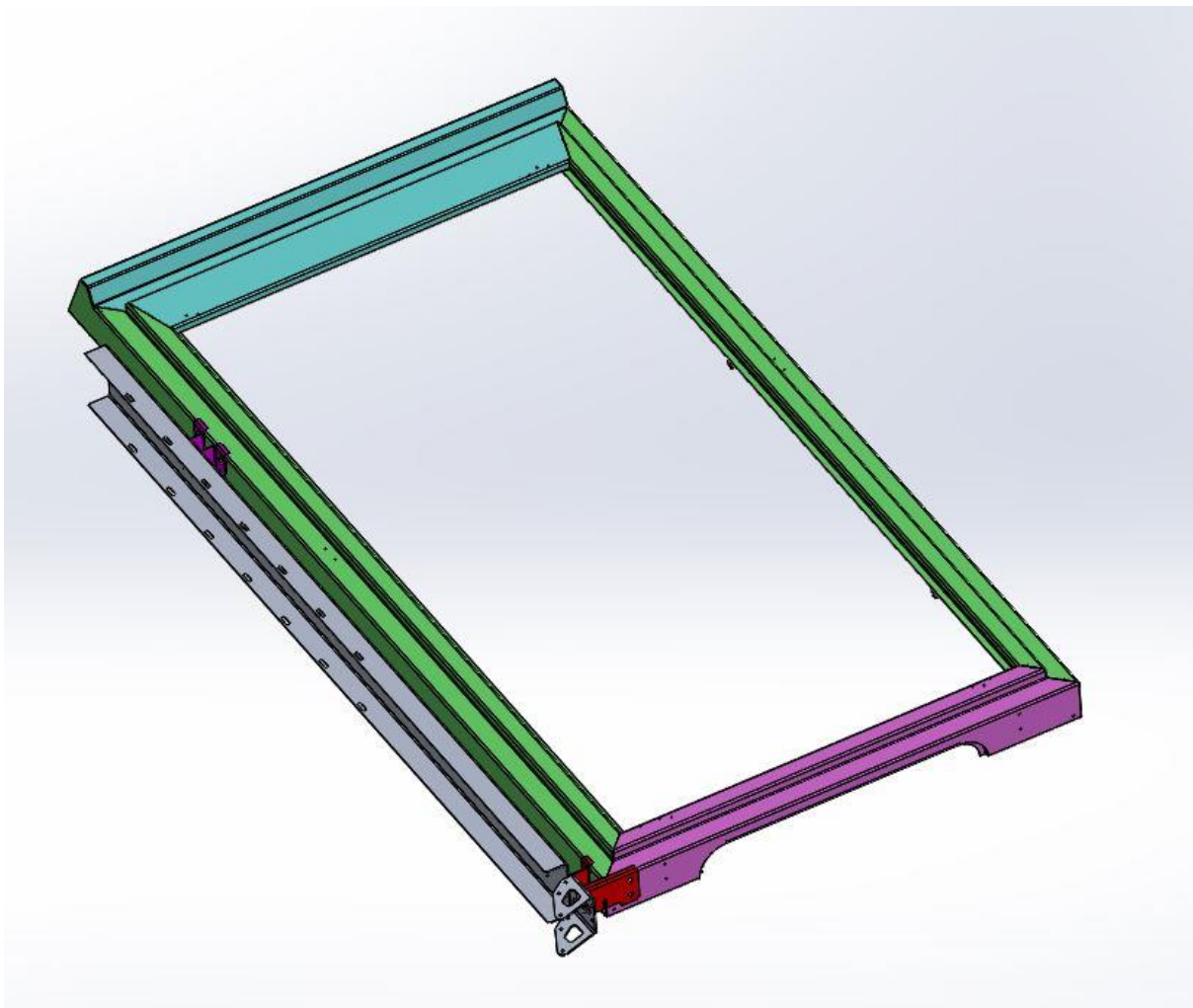


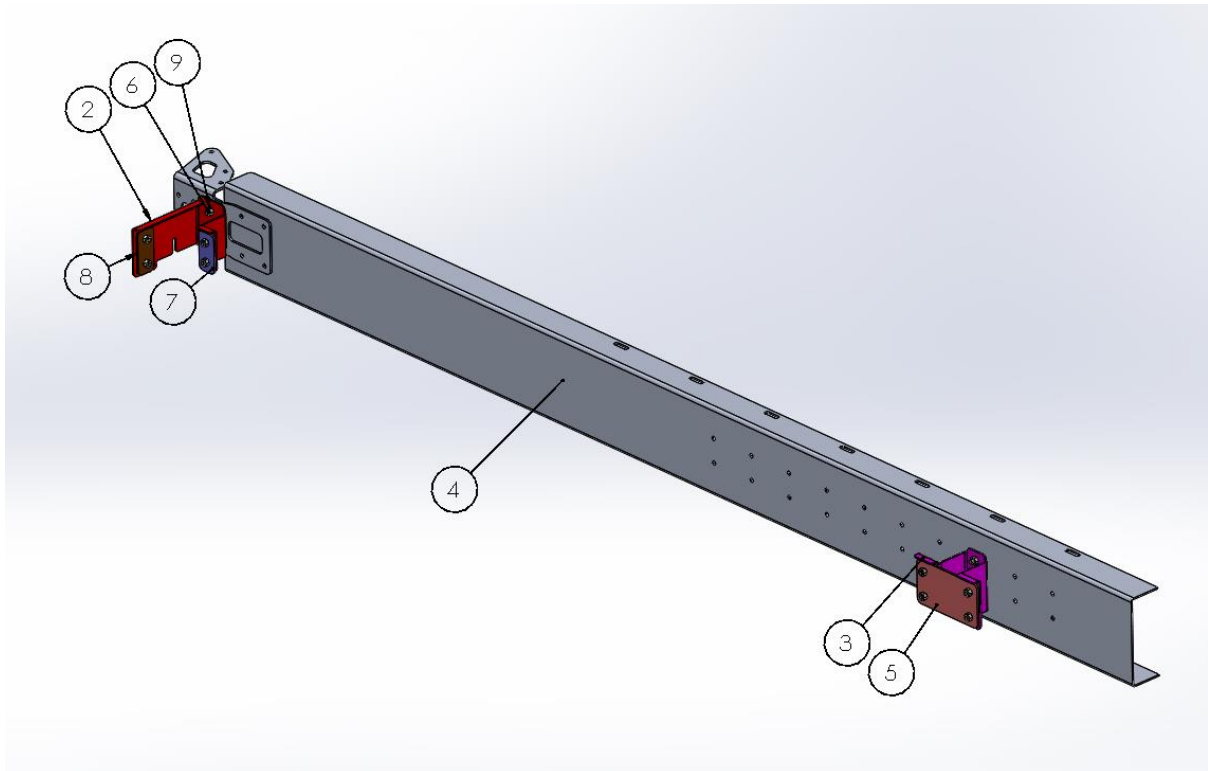


Awning to Land Rover (Icarus) Fitment Instructions

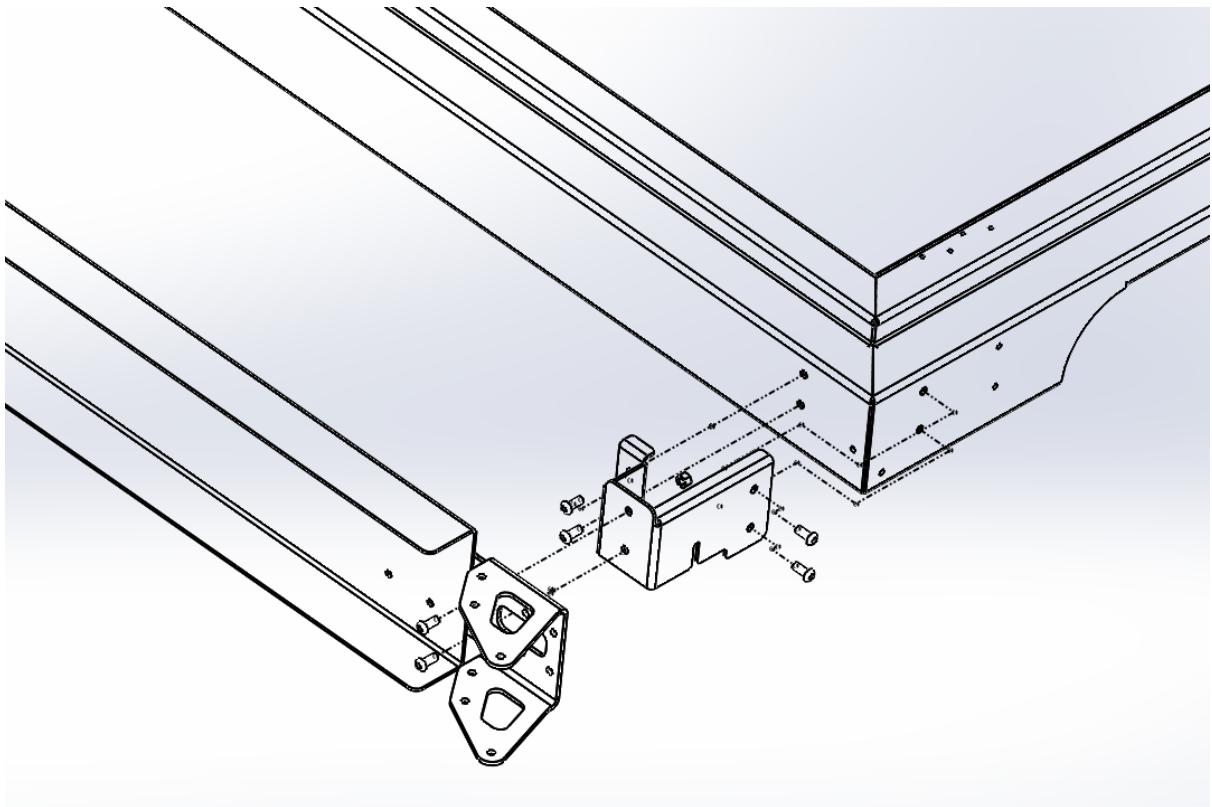


LIST OF COMPONENTS:

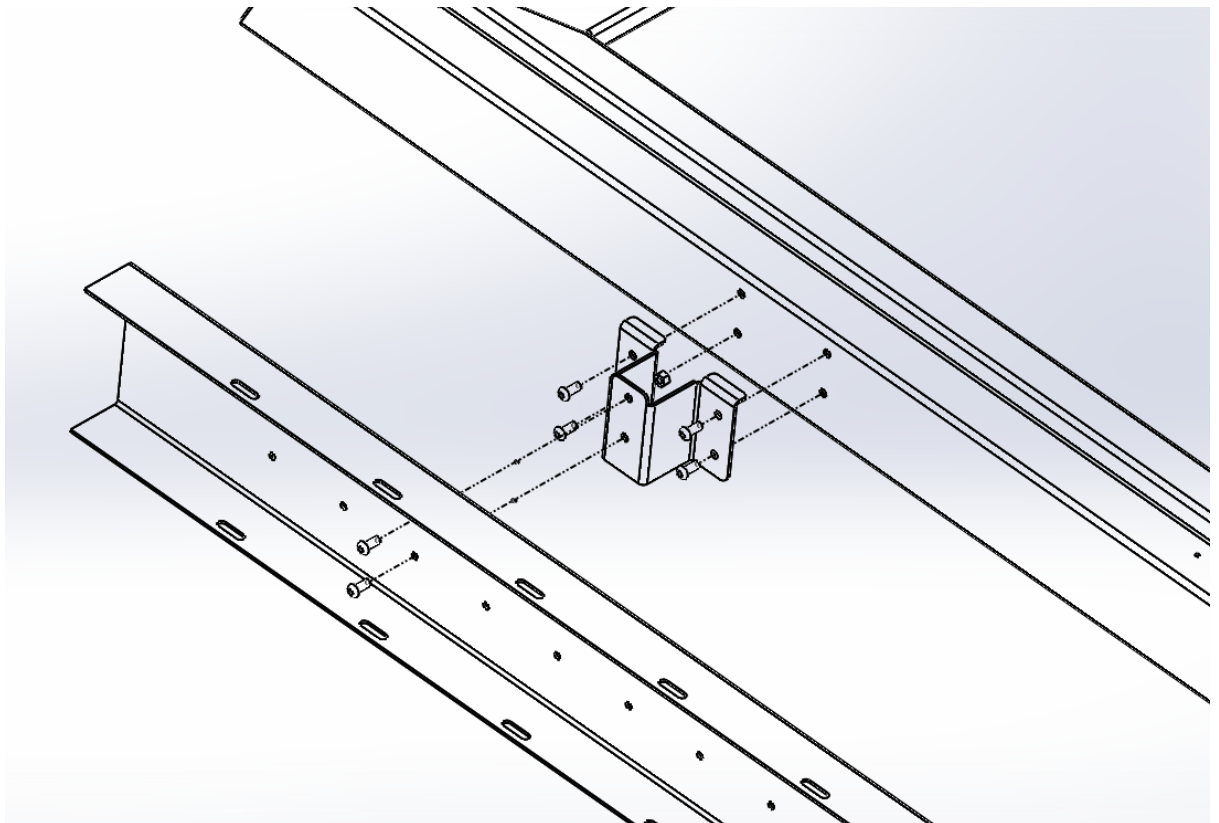
ITEM NO:	PART NUMBER	DESCRIPTION	QTY
1	WAB-0000-10-00001	LR ROOF BASE FRAME	1
2	LR-AW-000-001	AWNING BRACKET 1	1
3	LR-AW-000-002	AWNING BRACKET 2	1
4	LR-AW-000-003	STIFFENER PLATE	1
5	LR-AW-000-004	STIFFENER PLATE	1
6	LR-AW-000-005	STIFFENER PLATE	1
7	M8x20 BH SCREW	M8x20 BH SCREW	8
8	M8x20 HEX BOLT	M8x20 HEX BOLT	4
9	M8 NYLOCK NUTS	M8 NYLOCK NUTS	12
10	M8 WASHERS	M8 WASHERS	24



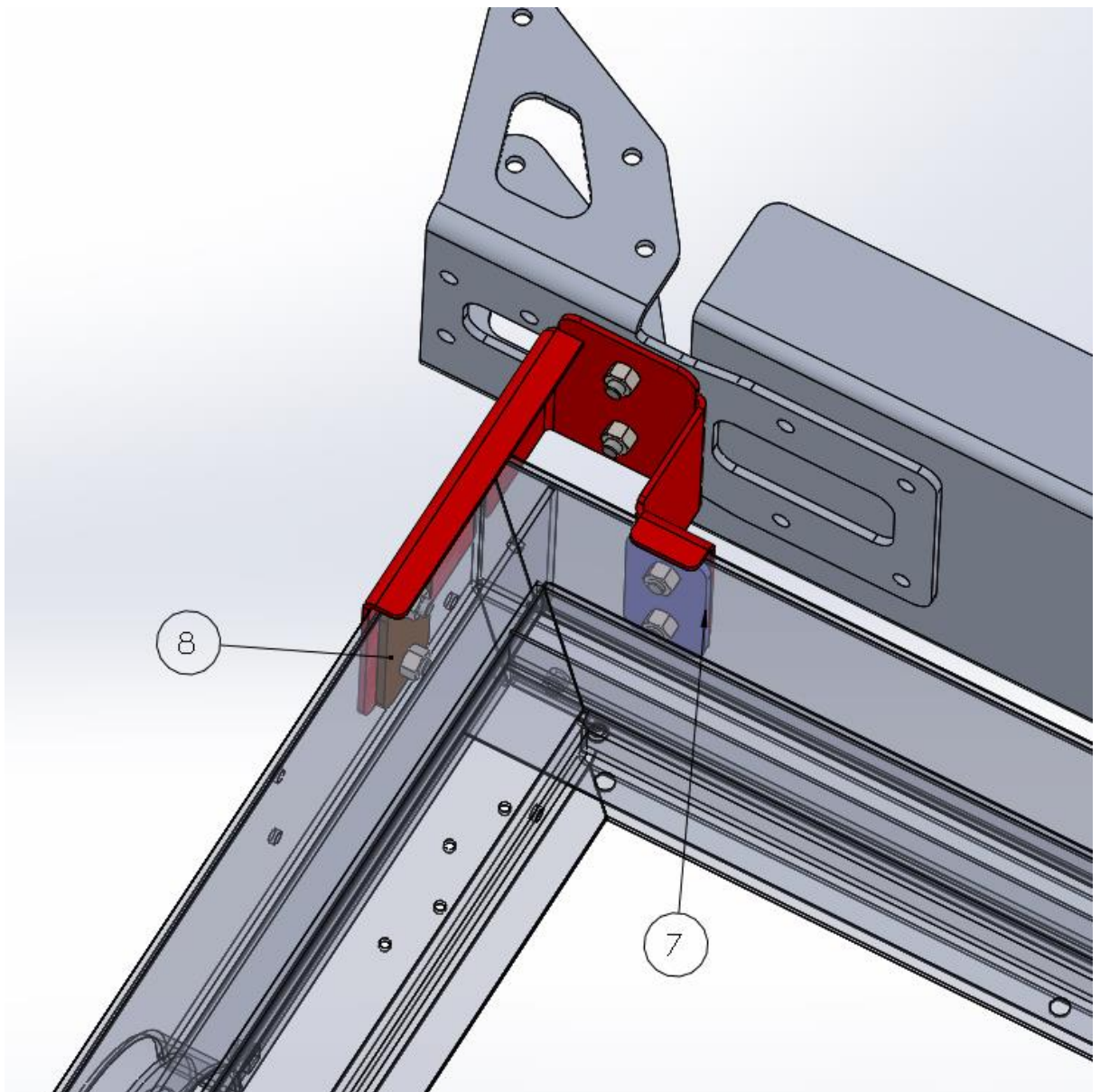
1. AWNING BRACKET 1 FITMENT POSITION.



2. AWNING BRACKET 2 FITMENT POSITION.



3. BACKING STIFFENER PLATES (ITEM'S 7 & 8 IN POSITION).



4. BACKING STIFFENER PLATE (ITEM 5) IN POSITION.

