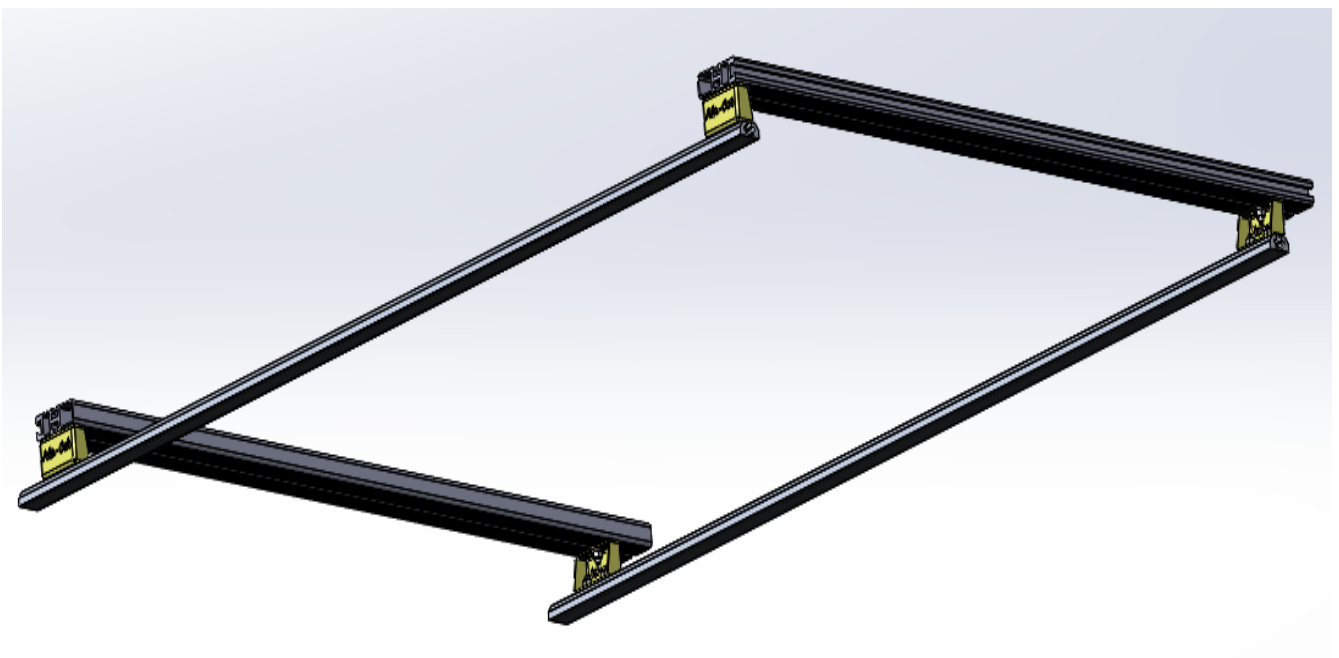
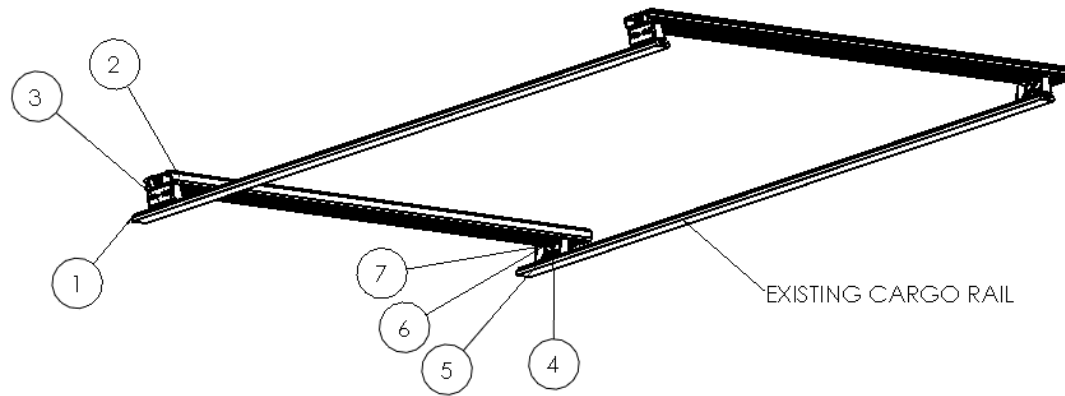




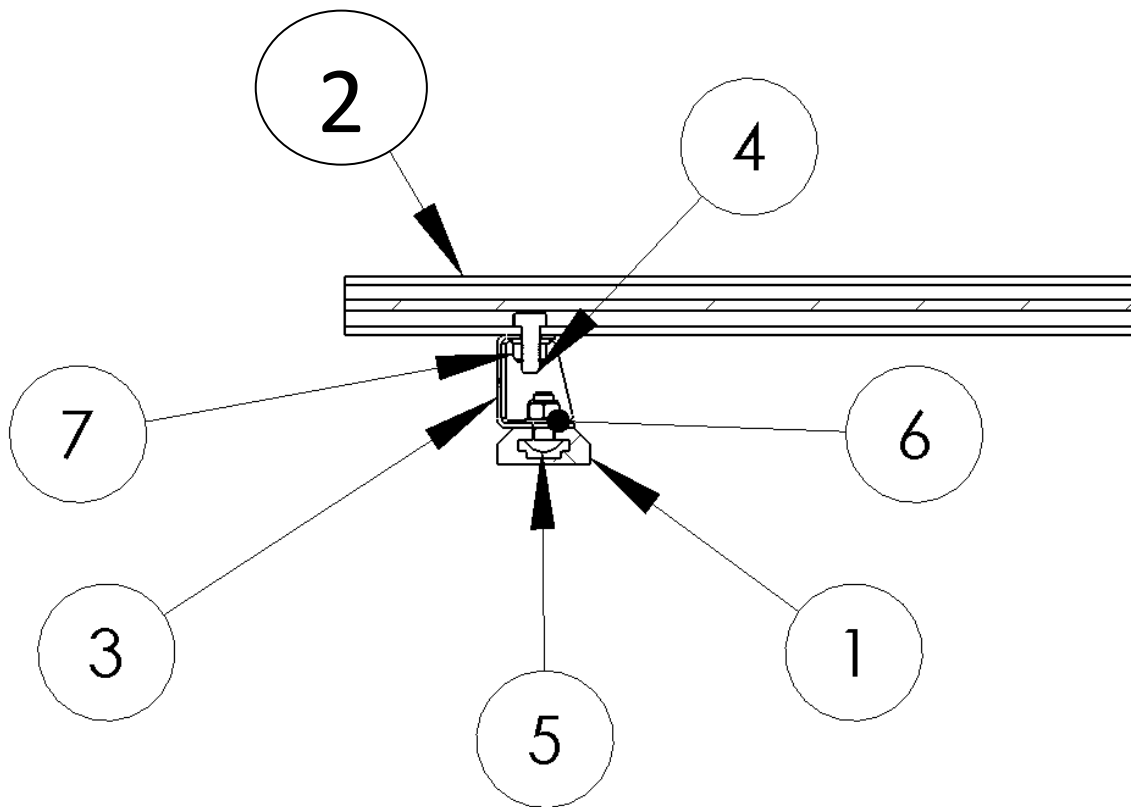
Load Bar Foot Fitment Instructions





ITEM NO.	PART NUMBER	DESCRIPTION	Default t/QTY.
1	CARGO RAIL	CARGO RAIL	1
2	STD LOAD BAR	STD LOAD BAR	2
3	LB-SC-000-003	LOAD BAR FOOT	4
4	M8x20 HEX BOLT	M8x20 HEX BOLT	4
5	M8x20 CUP SQUARE BOLT	M8x20 CUP SQUARE BOLT	8
6	M8 FLAT WASHER	M8 FLAT WASHER	12
7	M8 NYLOC NUT	M8 NYLOC NUT	12

Typical mounting of load bar foot.



Load Bar Foot.

