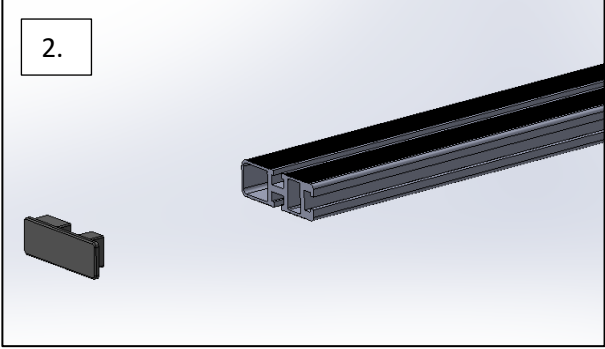
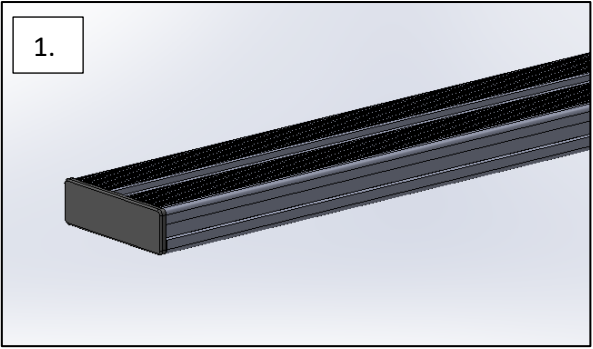
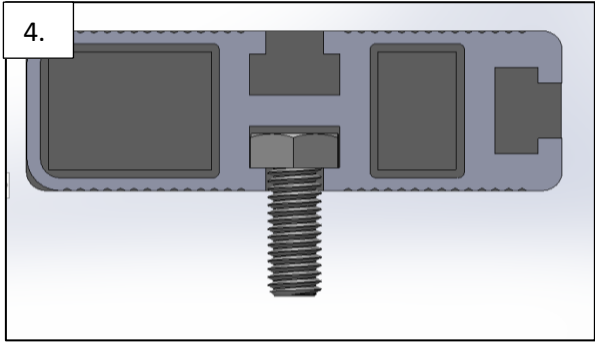
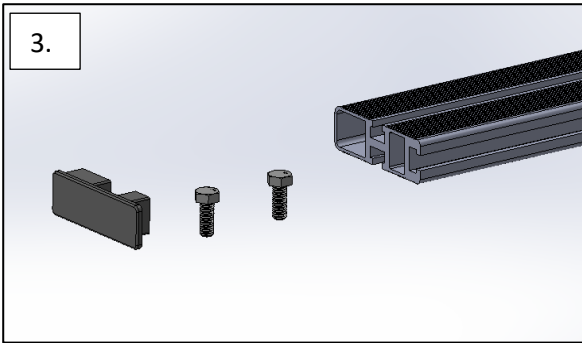


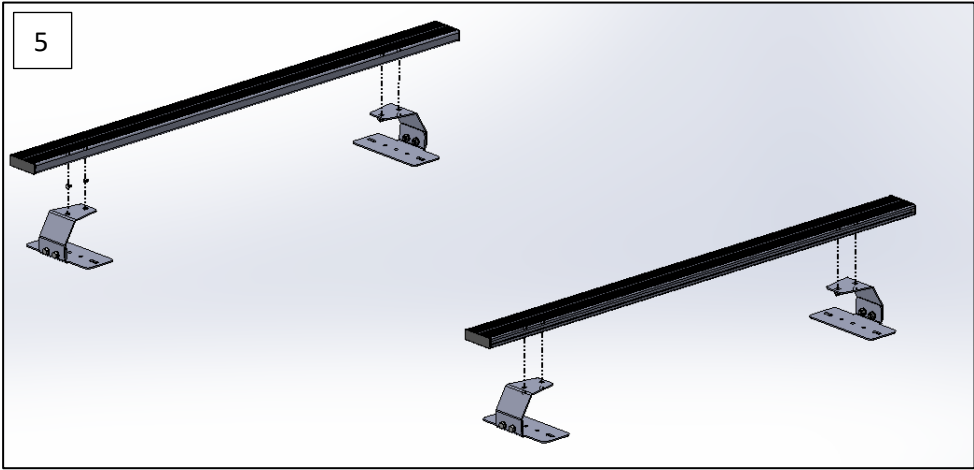
Load Bar to Ranger Foot Pack- Fitment Instructions



Remove plastic load bar end cap



Insert 2 x M8x20 Hex Bolts into the bottom rail of load bar as shown and reinsert plastic load bar end cap. Repeat for opposite side of load bar.



Fasten load bars onto Ranger Foot Pack Brackets and fasten with nyloc nuts

