



Toyota Tacoma 2016

Canopy



Fitment Instructions

1. Canopy Fitment – Tools, Fasteners & Materials

The tables below show the equipment, i.e. tools and fasteners required to start the canopy fitment for a Toyota Tacoma.

1.1. Tools & Item Required:

<u>TOOLS</u>	<u>ITEM</u>
Ratchet	Turpentine
Allen key	Cloth
13mm Socket	Black sealant, silicone or Sikaflex
13mm Ring Flat Spanner	Window Cleaner

1.2. Fasteners supplied: (Included with canopy)

<u>ITEM</u>	<u>QUANTITY</u>
• M8x30mm Button head screw	12 off
• M8x20mm Hex Bolts	12 off
• M8 Spring Washer	12 off
• M8 Flat Washer	30 off
• M8 Nylock Nuts	12 off
• M8 Plastic Nut Caps	12 off

1.3. Hardware Required: (Included with canopy)

<u>ITEM</u>	<u>QUANTITY</u>
• TT-TOP-MNT-BRKT-01-00	6 off
• TT-VERT-MNT-BRKT-01-00	6 off
• TT-NUT-PLT-01-00	6 off
• TT-SPACER-PLT-01-00	6 off

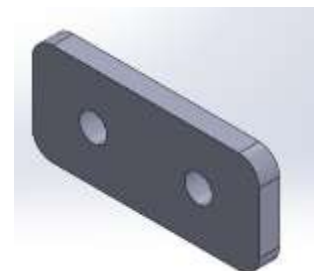
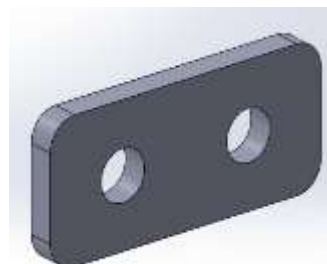
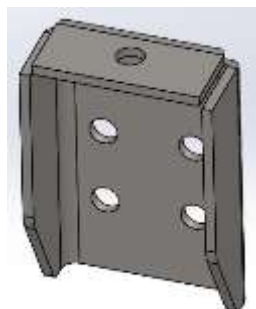
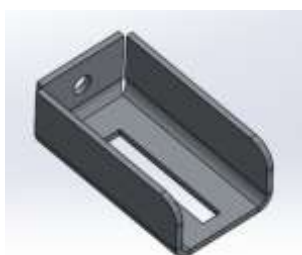


Fig 1: TT-TOP-MNT-BRKT-01-00

Fig 2: TT-VERT-MNT-BRKT-01-00

Fig 3: TT-SPACER-PLT-01-00

Fig 4: TT-NUT-PLT01-00

2. Mounting the canopy brackets to the load bin

The Tacoma canopy has six bracket kits (3 per side) which are fitted to the load bin. Figure 5 and 6 below shows a bracket kit assembly.

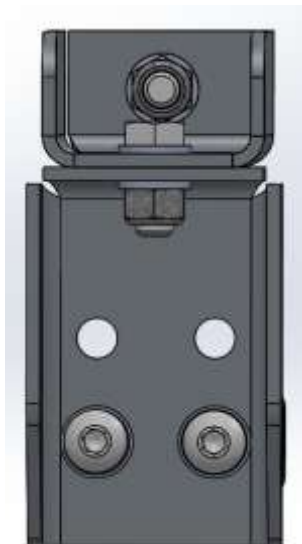
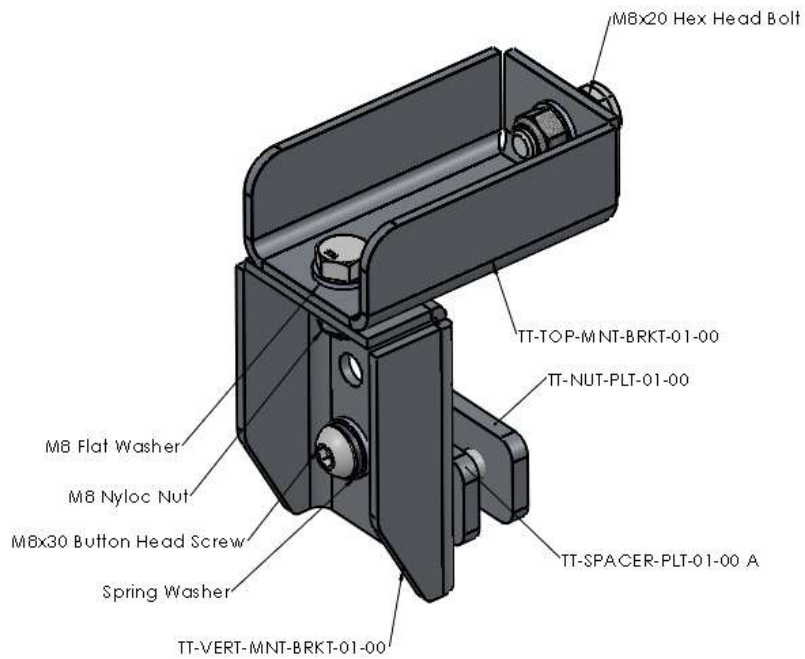
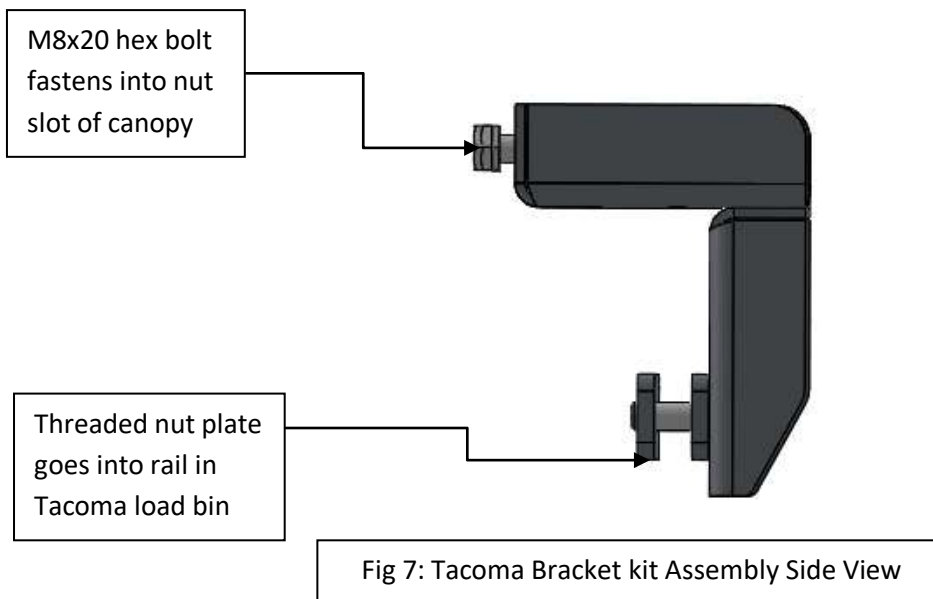


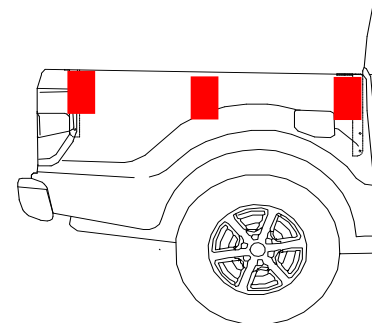
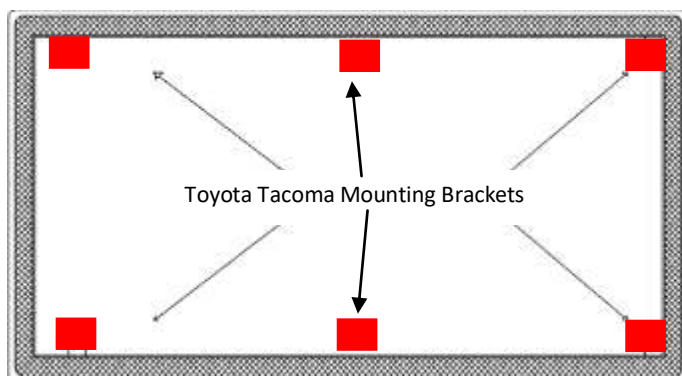
Fig 6: Tacoma Bracket kit Assembly Front View

2.1. Mounting the Support Brackets to the Load Bin



Positions of the bracket kits in the load bin

Figures 8 and 9 shows where the mounting brackets are fixed to the load bin.



Bolting the brackets to the load bin

For each bracket assembly, first slide the threaded nut plate into the Toyota Tacoma load bin rail. TC-item 5x3ss will be sandwiched between TC-item 3x3ss and the load bin rail as a spacer if needed. TC-item 3x3ss will be bolted to the thread nut plate using the M8x30 Button head screws with M8 flat washers and M8 spring washers. TC-item 2x3ss bolts to bracket TC-item 3x3ss and the nut slot in the canopy frame to secure the canopy.

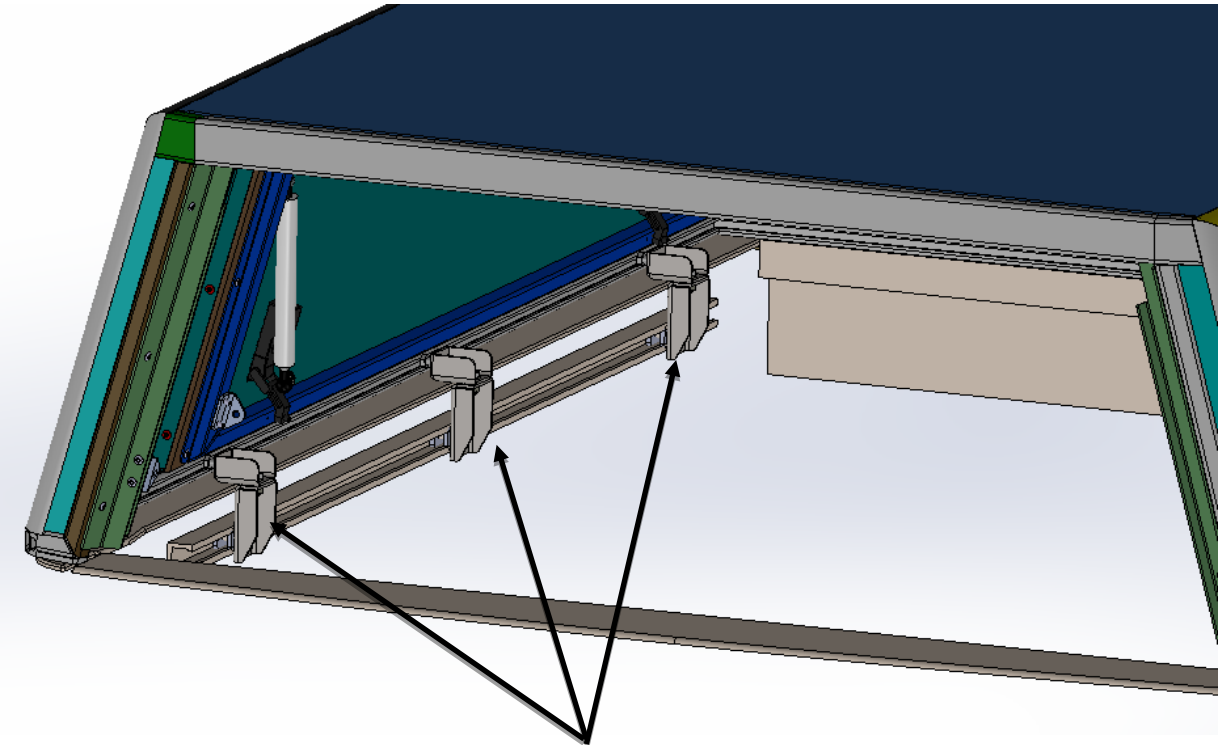


Fig 10: Tacoma Bracket kits



Fig 11: Photos of Bracket kit assembled in Tacoma Load Bin

3. Canopy Installation

Before placing the canopy onto the load bin, check that the D-Rubber is intact on the canopy. If this is not done, the canopy and/or load bin could be damaged or can cause leaks into the canopy.

To position the canopy, ensure that it is flush with the load bin on the inside.

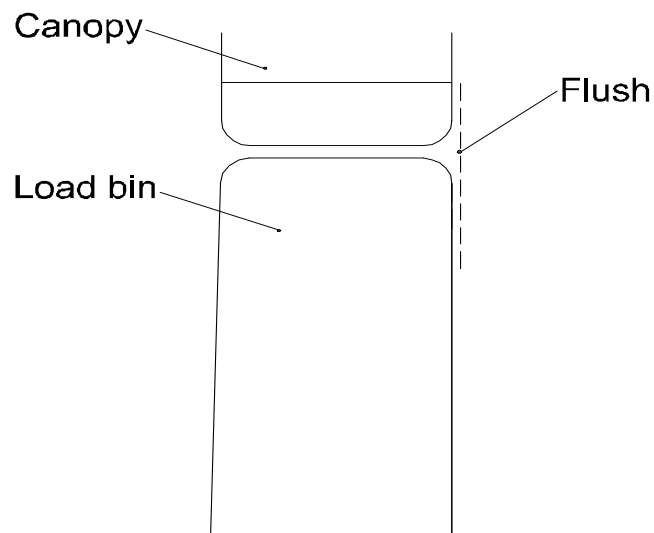


Figure 12: Canopy and Load Bin Alignment

3.1 Canopy Fitment to Load bin

Keep all the doors of the canopy open besides the rear door when placing it onto the load bin. Check alignment before bolting down.