

# FITMENT INSTRUCTIONS

**Alu-Cab™**



## Shower Cube to Front Runner Roof Rack (SH-BKT-FR)

All rights reserved. No part of this document may be reproduced, translated, stored in a retrieval system, or transmitted, in any form or by any means, electronic, mechanical, photocopying, recording or otherwise, without prior written permission of the owner.

Review all instructions information carefully before installation.

Any damages, direct or incidental to the installer and/or property due to incorrect installation of any parts are the responsibility of the installer. Due to the various applications and fitment options available, the responsibility lies with the user to ensure all mounting points are secure and tight before every trip. If unsure, consult with your Distributor regarding the operations of our products.

Users are advised to be mindful of the load they are carrying and drive in accordance with road conditions.

DISCLAIMER

**Alu-Cab**

## **1. Shower Cubicle Fitment – Tools, Fasteners & Materials**

The tables below show the equipment, i.e. tools and fasteners required to start the shower cubicle fitment onto a Front Runner Roof Rack.

### **1.1. Tools & Items Required:**

<b>TOOLS</b>
Ratchet
13mm Socket
13mm Ring Flat Spanner
Drill
8.5mm drill bit

### **1.2 Fasteners supplied:** (Included with Shower Cubicle)

<b>ITEM</b>	<b>QTY</b>
M8x70 Hex Head Bolt	4
M8 FLAT WASHER	8
M8 NYLOC NUT	8
M8 PLASTIC NUT CAP	4

### **1.3 Hardware Required:** (Included with Shower Cubical)

<b>ITEM</b>	<b>DESCRIPTION</b>	<b>QTY</b>
SHOWER CUBICLE	SHOWER CUBICLE ASSEMBLY	1
SHOWER CUBICLE BAG	BLACK SHOWER CUBICLE BAG	1
SHOWER CURTAIN	GREY SHOWER CURTAIN	1
AWNING TO FRONTRUNNER FRONT MOUNT	492-FRUN-FNT-MNT-BRKT-01	2

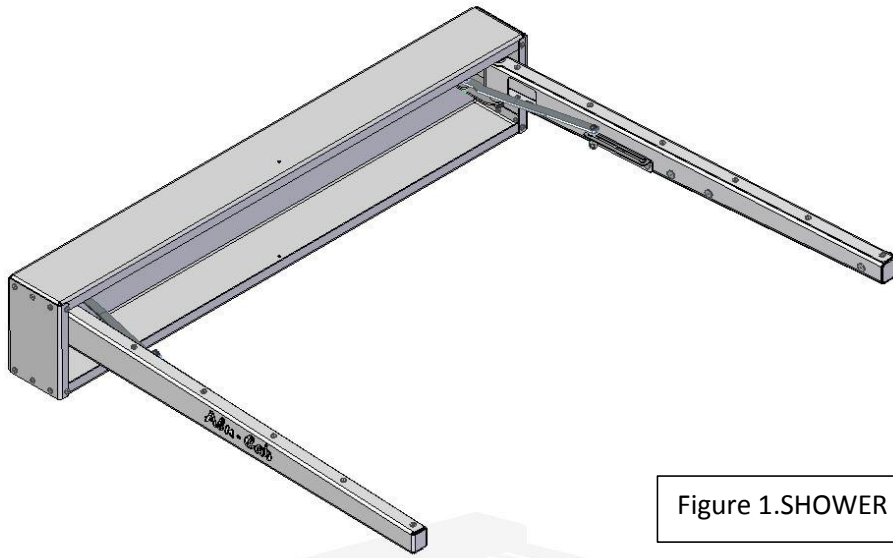
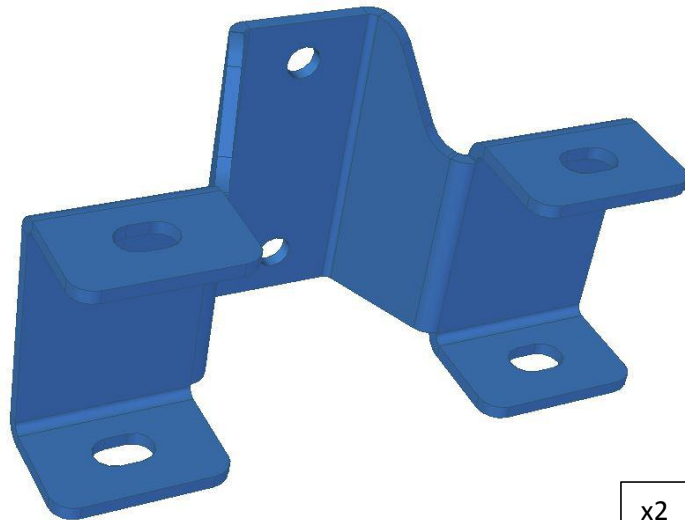


Figure 1.SHOWER CUBICLE



x2

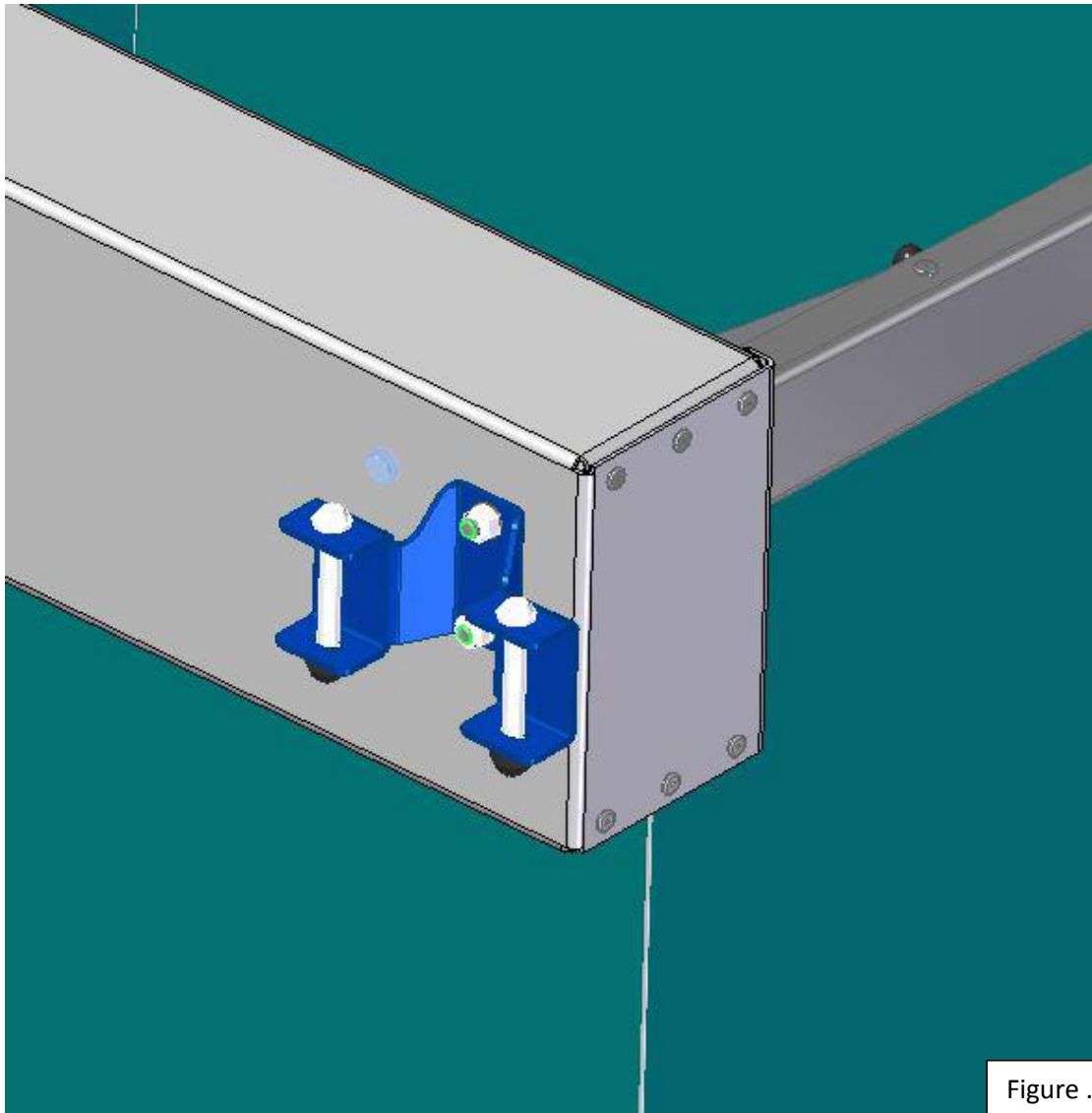
Fig 2.492-FRUN-FNT-MNT-BRKT-01



**WARNING**

Always wear appropriate PPE ( Personal protection equipment) when fitting this product. Although the mounting kit is designed to be DIY, if you have any doubts or concerns, contact an accredited fitment centre to carry out the work. Alu-Cab will not be liable for any injury to persons, and/or damage to products and/or vehicles.

## 2. Mounting the brackets to Load bar

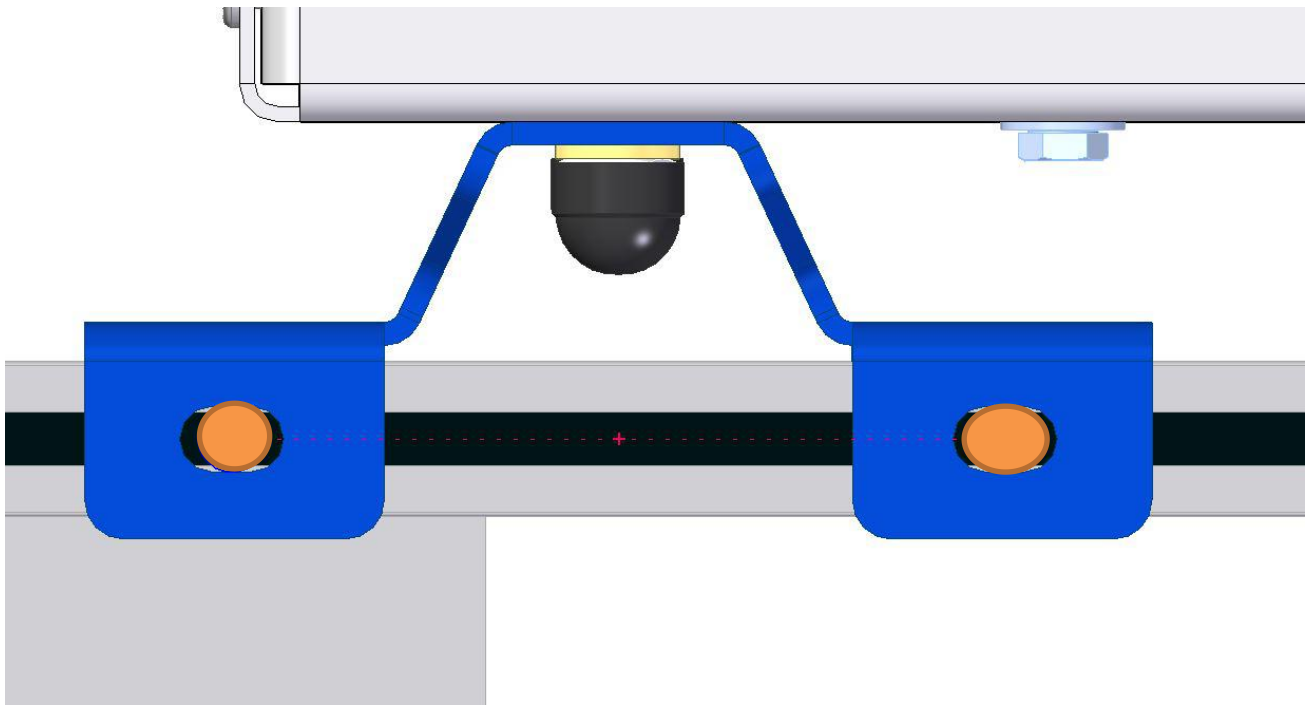


Remove the two M8 Nyloc nuts from the shower cube and fit the bracket (492-FRUN-FNT-MNT-BRKT-01) to the shower cube.

### 3. Fitting to Front Runner Rack:



Position the Shower cube with brackets fitted, onto the Roof Rack to whichever position along the sides of the vehicle.



Use the slots on the brackets as a jig to drill 8.5mm holes to fit the M8x70mm bolts.

