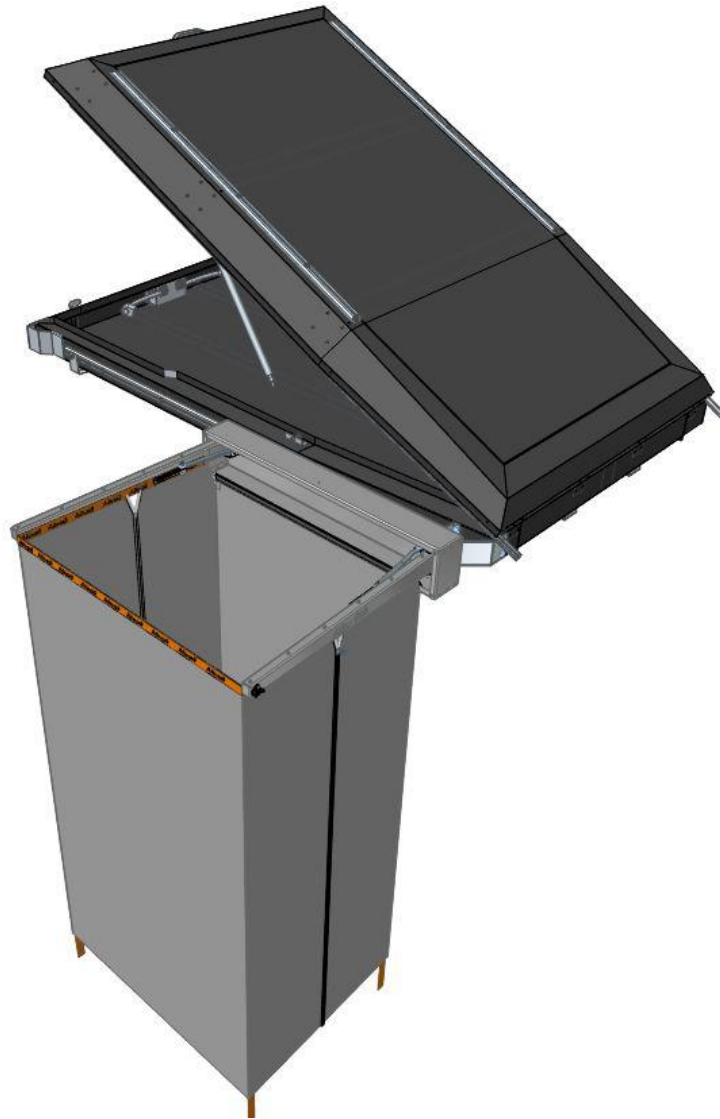


FITMENT INSTRUCTIONS

Alu-CabTM



Shower Cube to Gen 3 Tent

Should you experience any problems please
contact us so that we can assist you

Enquiries: queries@alu-cab.co.za
Tel: +27 21 703 3028

1. Shower Cubicle Fitment – Tools, Fasteners & Materials

The tables below show the equipment, i.e. tools and fasteners required to start the shower cubicle fitment onto a Gen 3 Tent.

1.1. Tools & Items Required:

<u>TOOLS</u>
Ratchet
13mm Socket
13mm Ring Flat Spanner
Drill
Drill Bit Ø8.5

<u>ITEM</u>
Turpentine
Cloth
Black sealant, silicone or Sikaflex

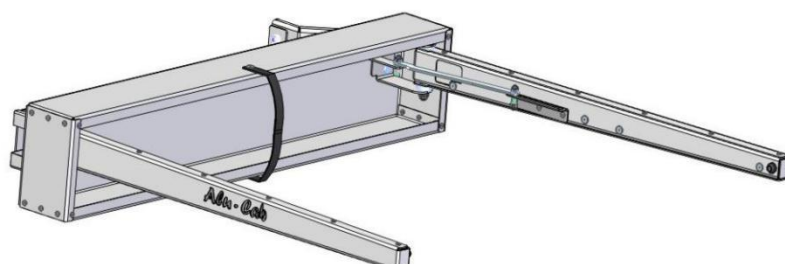
1.2. Fasteners supplied: (Included with Shower Cubicle)

<u>ITEM</u>	<u>QUALITY</u>
HEX HEAD BOLT M8X20	6
M8 FLAT WASHER	16
M8 NYLOC NUT	10
M8 PLASTIC NUT CAP	10

1.3. Hardware Required: (Included with Shower Cubical)

<u>ITEM</u>	<u>DESCRIPTION</u>	<u>QUANTITY</u>
SHOWER CUBICLE	SHOWER CUBICLE ASSEMBLY	1
SHOWER CUBICLE BAG	BLACK SHOWER CUBICLE BAG	1
SHOWER CURTAIN	GREY SHOWER CURTAIN	1
FRONT MOUNT BRACKET	AWN-BKT-02-001	1
FRONT MOUNT BACK PLATE	AWN-BKT-02-002	1
FRONT MOUNT BACK PLATE	AWN-BKT-02-003	1
GENERIC MOUNTING BRACKET	415-GENE-MNT-BKT-01-00	2 off (1 EXTRA)
BACK PLATE FOR GENERIC BRACKET	415-SHW-MNT-BCK-PLT-03	1

Fig 1.SHOWER CUBICLE



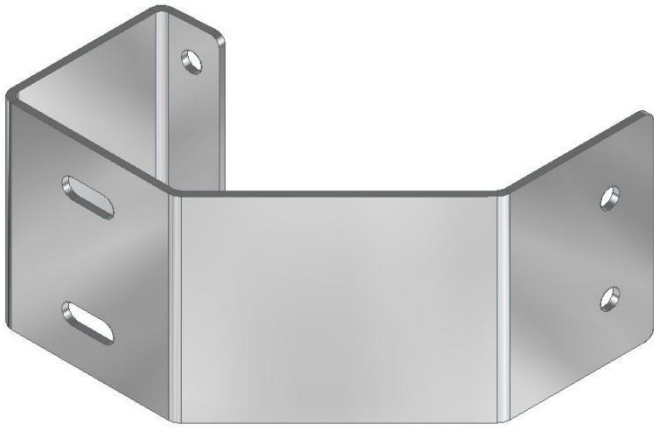


Fig 2. AWN-BKT-02-001

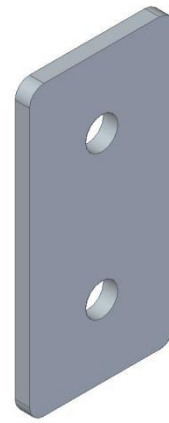


Fig 3. AWN-BKT-02-002

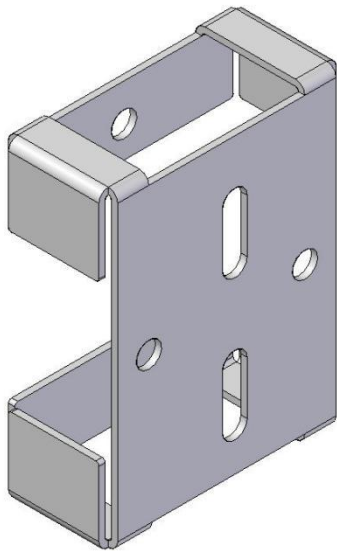


Fig 5. 415-SHW-MNT-BCK-PLT-03

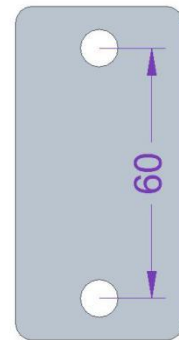
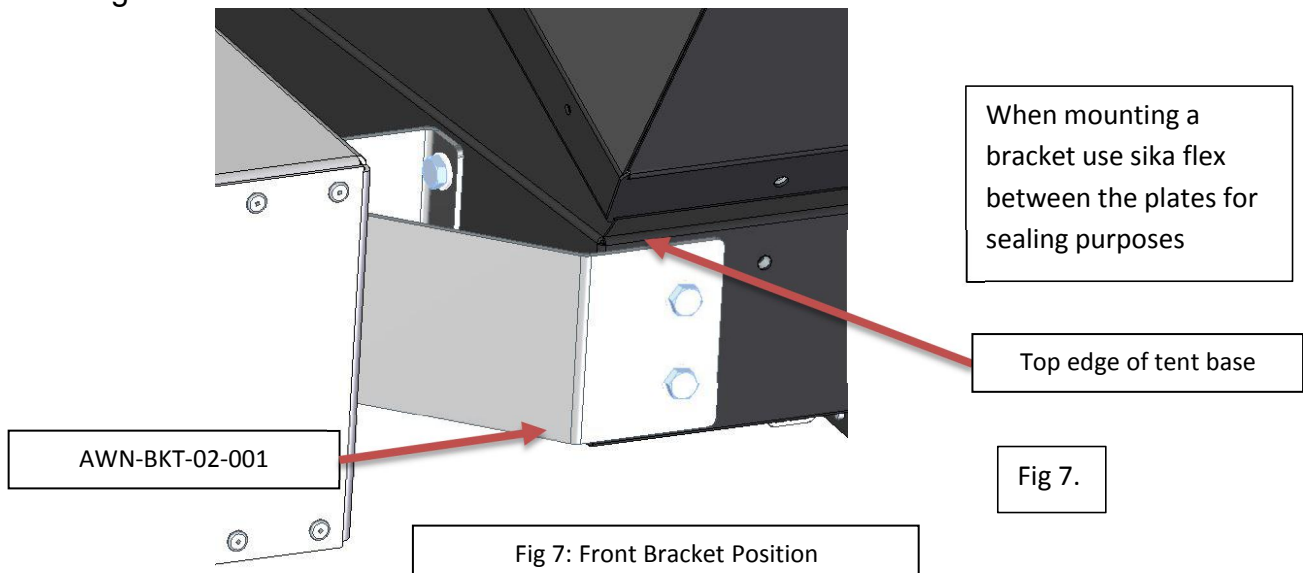


Fig 6. AWN-BKT-02-003

Fig 4. 415-SHW-GENE-MNT-BKT-01-00

2. Mounting the front mounting bracket to Gen 3 tent

Remove the mattress from the tent. Place the **front mounting bracket** (AWN-BKT-02-001) to the front corner of Gen 3 tent. Keep bracket to top edge of tent base. See Fig. 7.



Use the **front mounting bracket(AWN-BKT-02-001)** as drill jig and drill the two holes into the tent base. See Fig. 8.

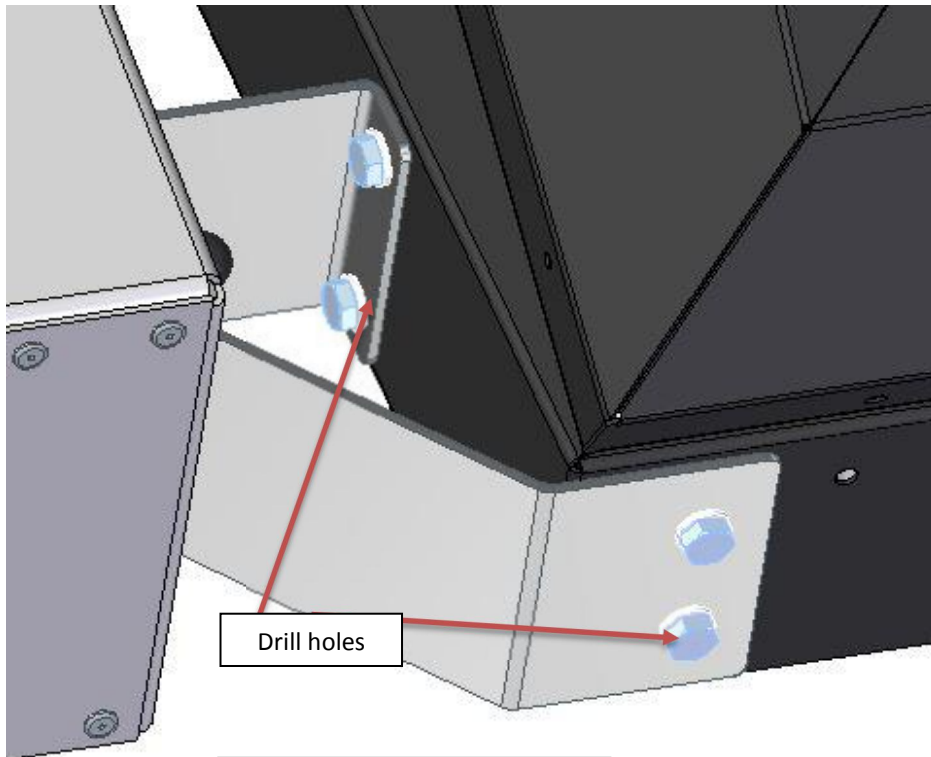
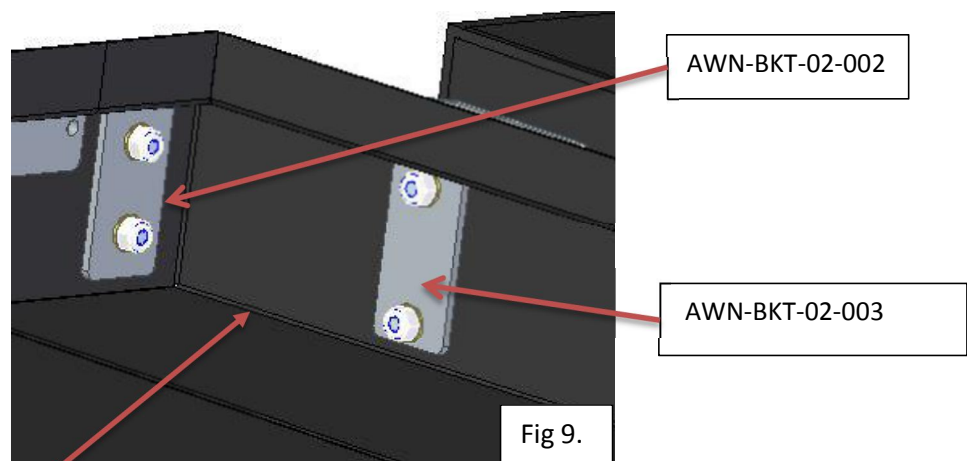


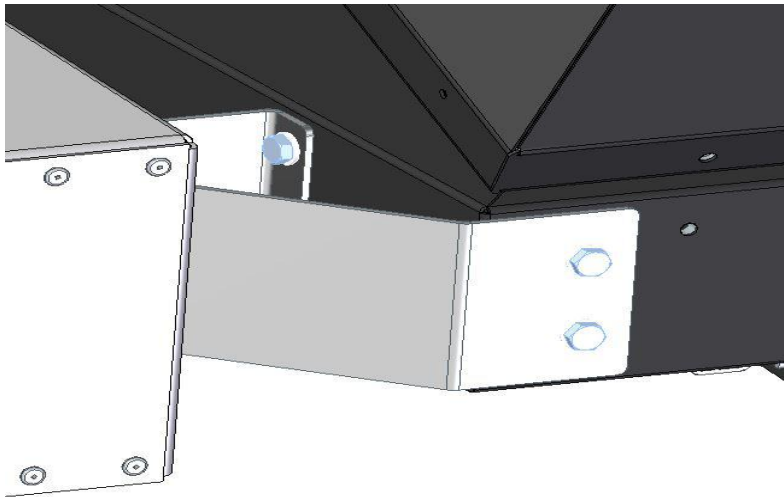
Fig 8: Front mount hole position

Mount the **front mounting bracket** to the tent base. Place backing plate on inside of tent and fix with bolts, washers and nuts supplied. See Fig. 9.

When mounting a bracket use sika flex between the plates for sealing purposes

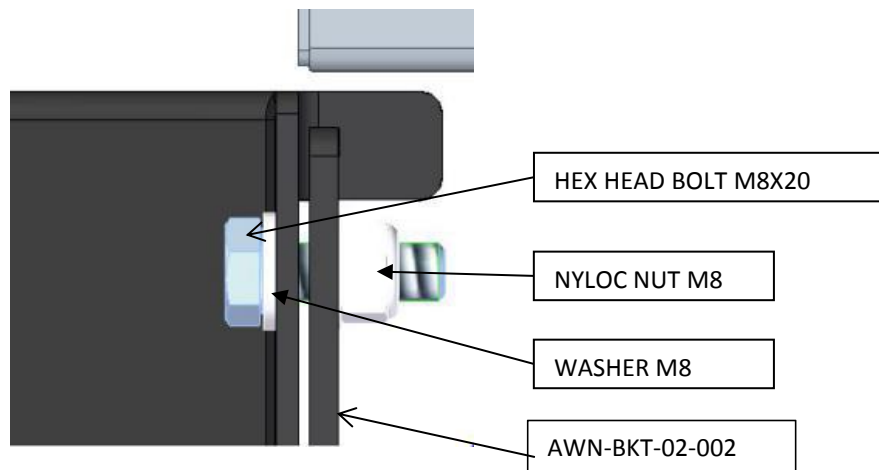


AWN-BKT-02-002 FITS BEHIND THIS FRONT MOUNTING BRACKET AS SEEN BELOW



When mounting a bracket use sika flex between the plates for sealing purposes

Fig 10.



HEX HEAD BOLT M8X20

NYLOC NUT M8

WASHER M8

AWN-BKT-02-002

Fig 11: Front Mount Bolt Assembly

3. Mounting the rear mounting bracket to Gen 3 tent

Generic mounting bracket mounts over the cargo rail on side of tent. Place **Rear Mounting Bracket** (415-SHW-GENE-MNT-BKT-01-01) flush with the top edge of tent base. See Fig. 12.

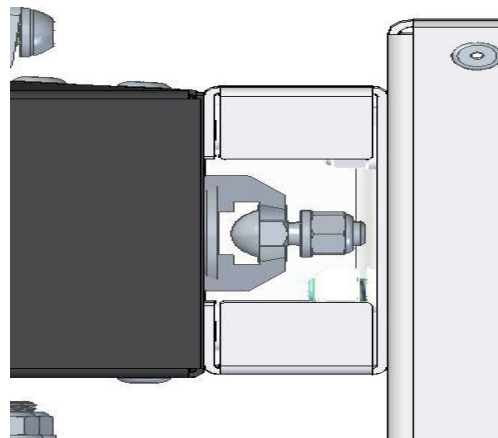
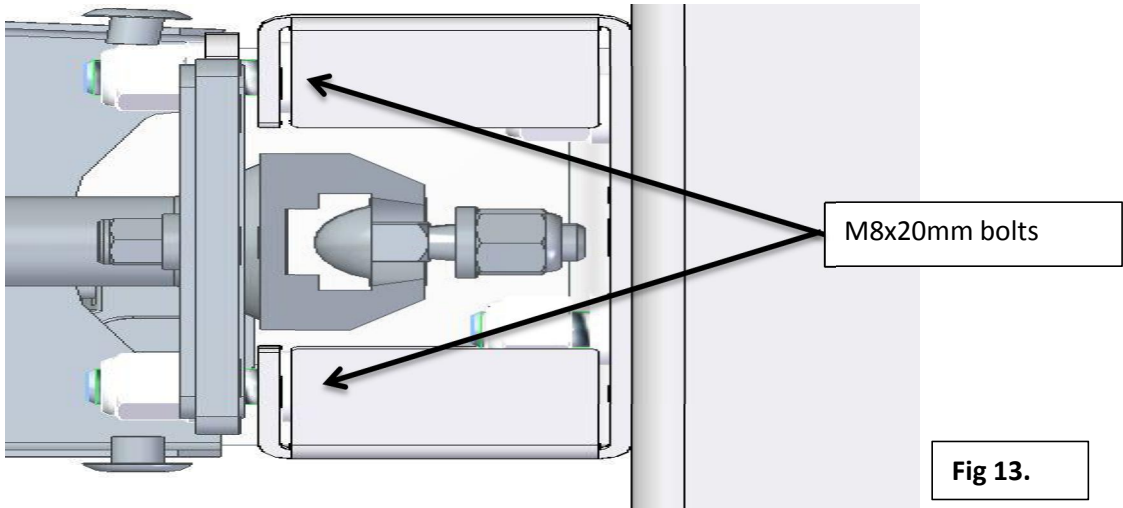
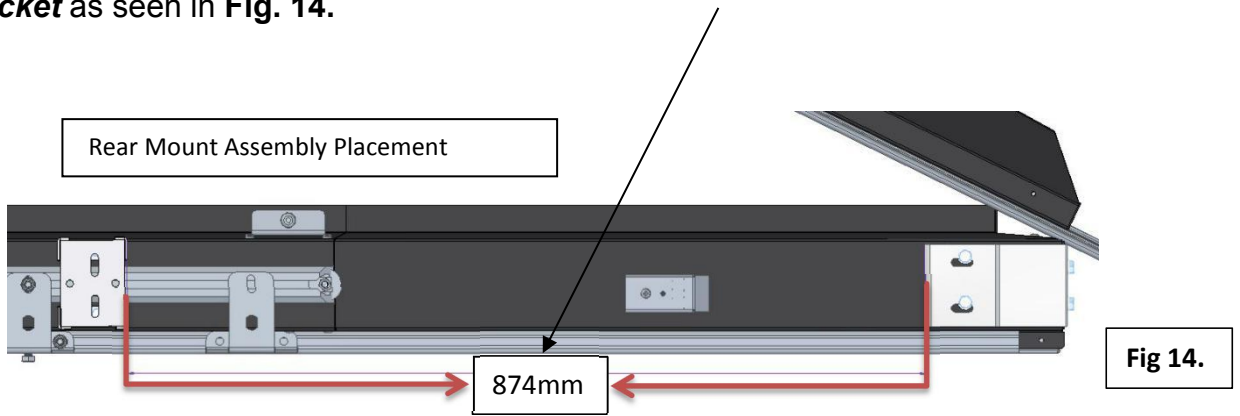


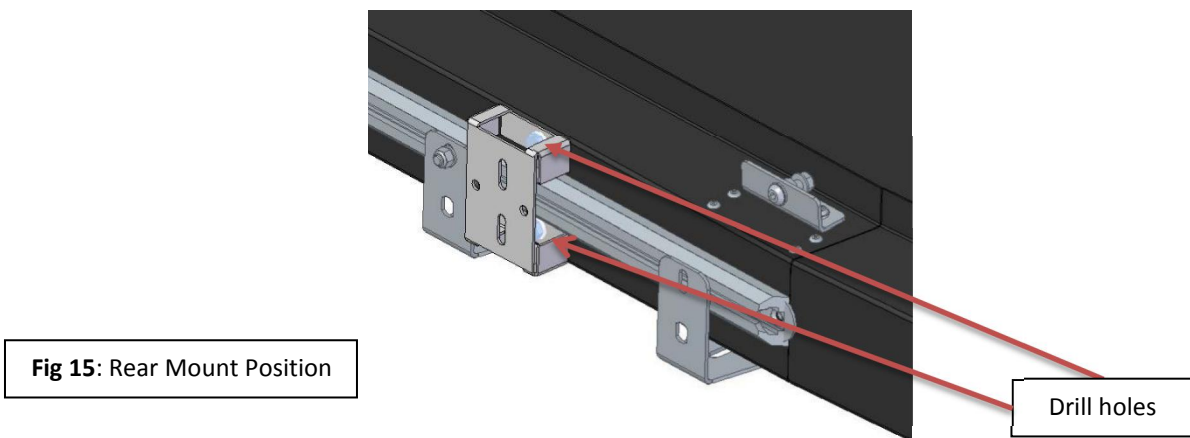
Fig 12.



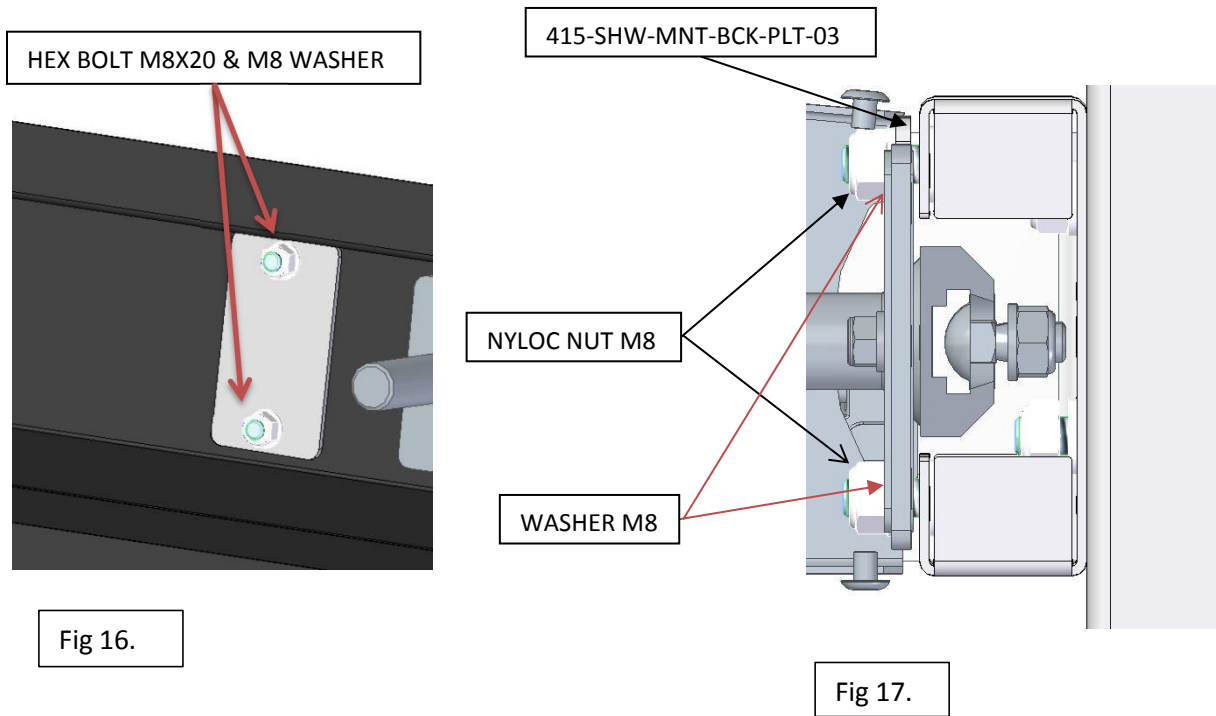
Slide the **rear mounting bracket** to measurement of 874mm from **front mounting bracket** as seen in Fig. 14.



Use the bracket as the drill jig and drill the two holes into the tent base. See Fig.15.

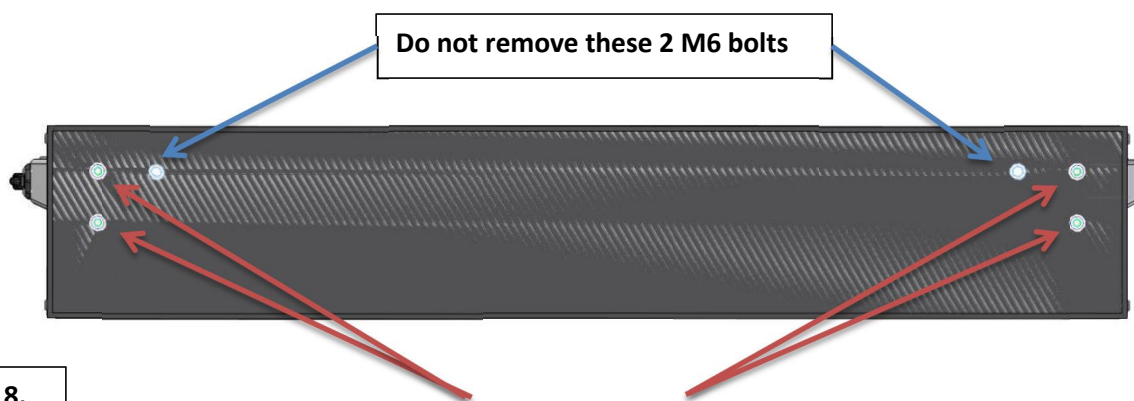


Mount **rear mounting bracket** to tent base by placing the backing plate inside the tent then the bolts, washers and nuts. Tighten the bracket to the tent base. See Fig. 17.



Place M8 Plastic Nut Caps on all M8 Nyloc Nuts to finish of the mounting bracket fitment.

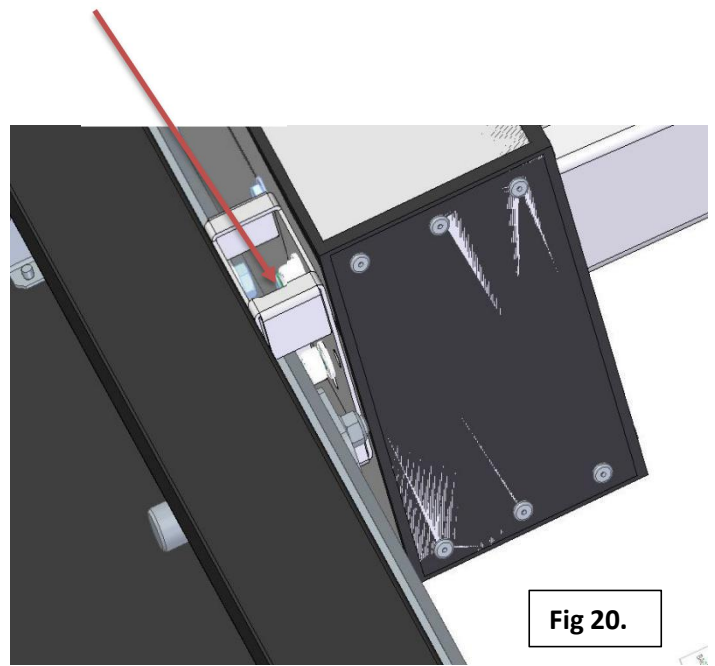
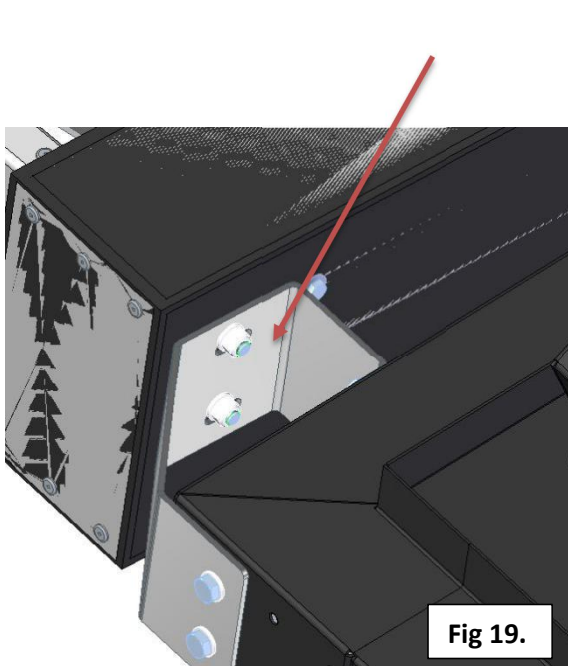
4. Mounting the shower cubicle.



Loosen these 4 M8 nuts before fitting to mounting brackets on the tent

When mounting a bracket use Sika flex between the plates for sealing purposes

Place **shower cubicle assembly with the bag** on mounting brackets and secure shower cubicle to the mounting brackets using the same nuts that were removed in fig 19 See **Fig. 19 &20.**



5. **Mount Shower Cubicle on LHS of Gen 3 tent** To mount the Shower cubicle on the Gen 3 tent on LHS side, repeat procedure as for RHS. The **front mounting bracket (AWN-02-001)** can be use by just turning it upside down. For the **Rear Mounting Bracket (415-SHW-GENE-MNT-BKT-01-00)** This bracket is generic and can be used as is on any side of the tent.