

FITMENT INSTRUCTIONS

Alu-CabTM



Shower Cube to Icarus

Should you experience any problems please
contact us so that we can assist you

Enquiries: queries@alu-cab.co.za
Tel: +27 21 703 3028

1. Shower Cubicle Fitment – Tools, Fasteners & Materials

The tables below show the equipment, i.e. tools and fasteners required to start the shower cubicle fitment onto a Icarus Tent.

1.1. Tools & Items Required:

<u>TOOLS</u>	<u>ITEM</u>
Ratchet	Turpentine
13mm Socket	Cloth
13mm Ring Flat Spanner	Black sealant, silicone or Sikaflex
Drill	
Drill Bit Ø8.5	

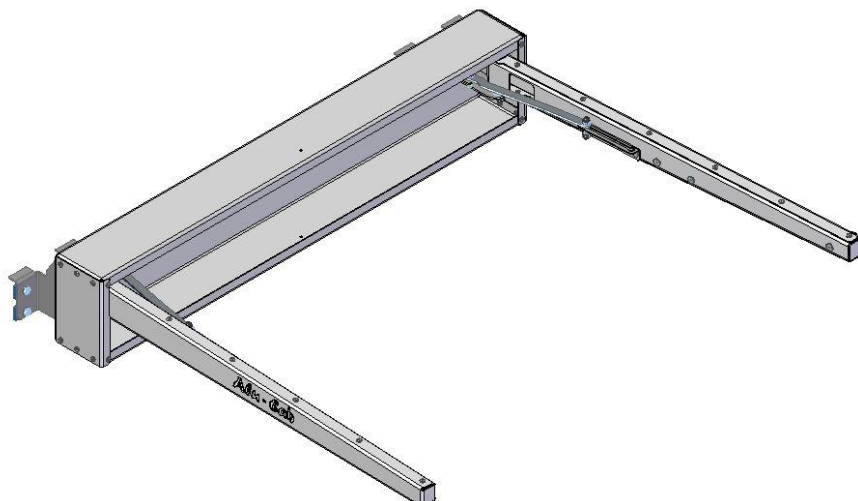
1.2. Fasteners supplied: (Included with Shower Cubicle)

<u>ITEM</u>	<u>QUANTITY</u>
HEX HEAD BOLT M8X20	8off
M8 FLAT WASHER	16off
M8 NYLOC NUT	8off
M8 PLASTIC NUT CAP	12off

1.3. Hardware Required: (Included with Shower Cubical)

<u>ITEM</u>	<u>DESCRIPTION</u>	<u>QUANTITY</u>
SHOWER CUBICLE	SHOWER CUBICLE ASSEMBLY	1 off
SHOWER CUBICLE BAG	BLACK SHOWER CUBICLE BAG	1 off
SHOWER CURTAIN	GREY SHOWER CURTAIN	1 off
AWNING MOUNTING BRACKET	LR-AW-000-002	2 off
AWNING BRACKET BACK PLATE	TR-AW-010-002 REV B	8 off

Fig 1.SHOWER CUBICLE



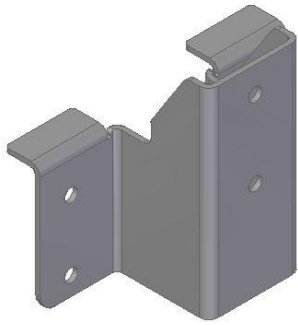


Fig 2. LR-AW-000-002

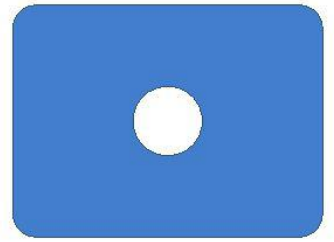


Fig 3. TR-AW-010-002 REV B

2. Mounting the front Generic bracket to Icarus

Remove the aluminum panels the on the inside . See Fig. 4 & 5

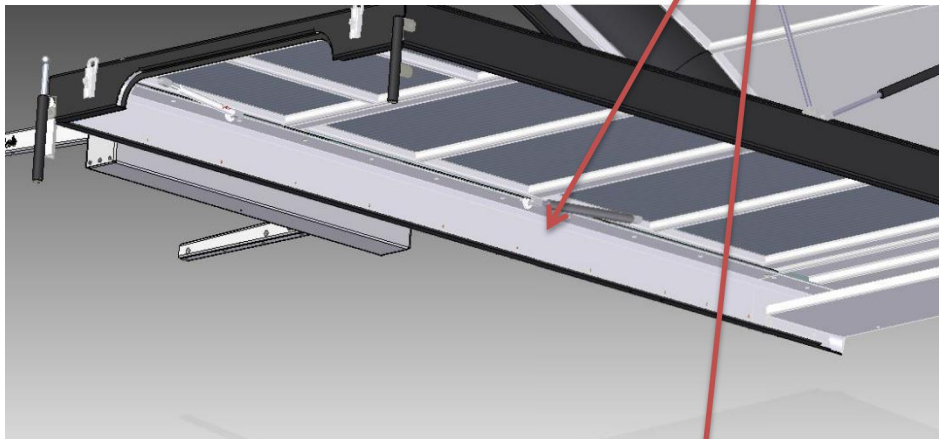


Fig 4.

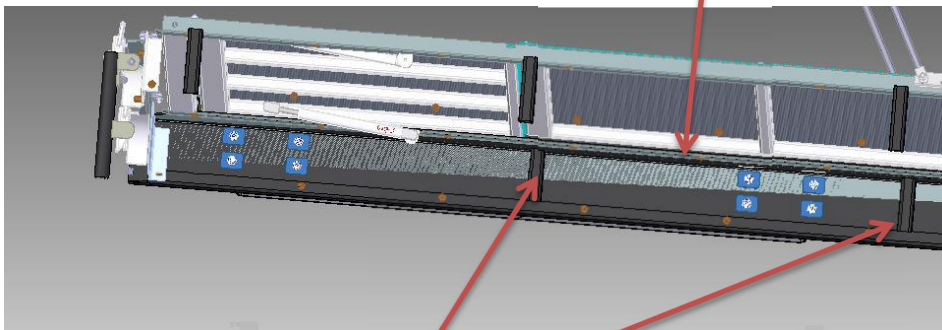


Fig 5.

Support posts

2.1 Mounting of the Brackets to the body

Mounting of the brackets(LR-AW-000-002) can be positioned almost anywhere along the sides of the vehicle as long as the bracket back plate(TR-AW-010-002 REV B) is clear from the support posts on the inside of the roof as shown in **fig 5**.

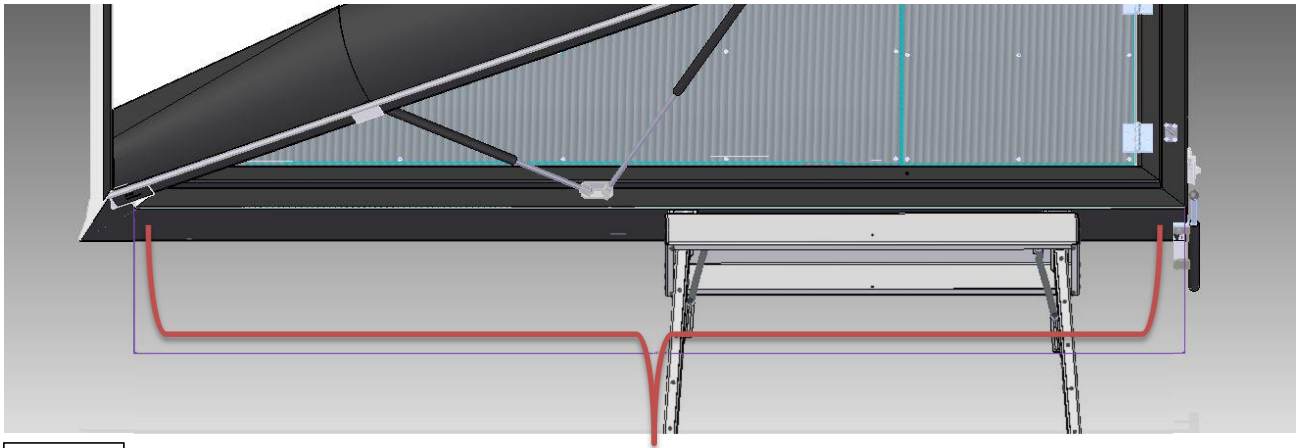


Fig 6.

Mount along the sides of the tent

Mount the (LR-AW-000-002) **mounting bracket** along the tent base with the flange resting on the tent base, while using the holes in the bracket as a jig to drill holes.

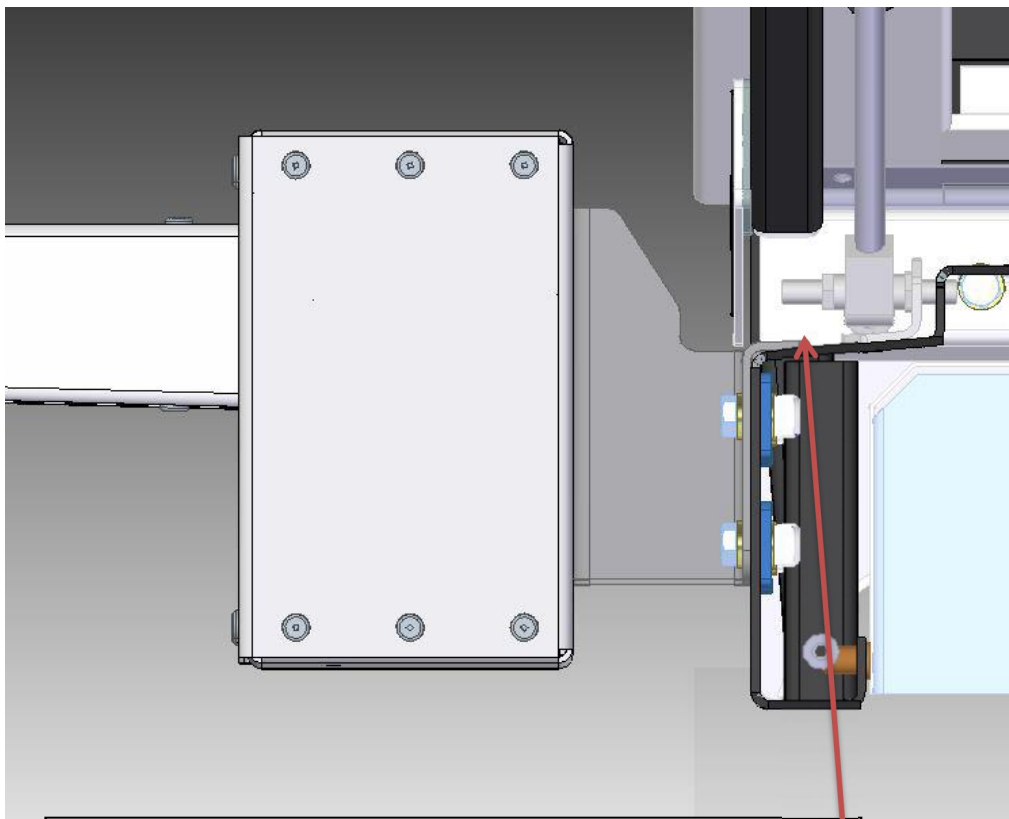
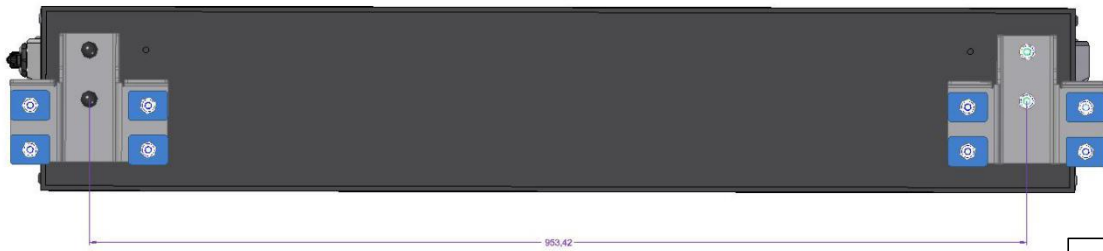


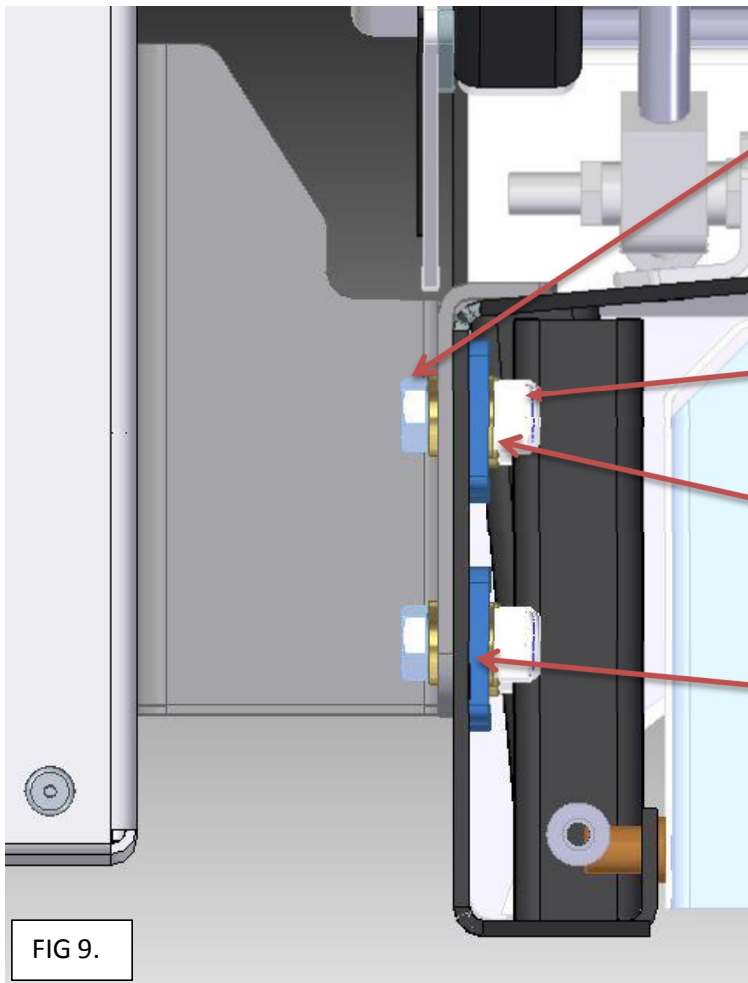
Fig 7.

place the flange of the bracket on the top edge of the tent base



953.5mm spacing between the 2 brackets

Fig 8.



HEX HEAD BOLT M8X20

NYLOC NUT M8

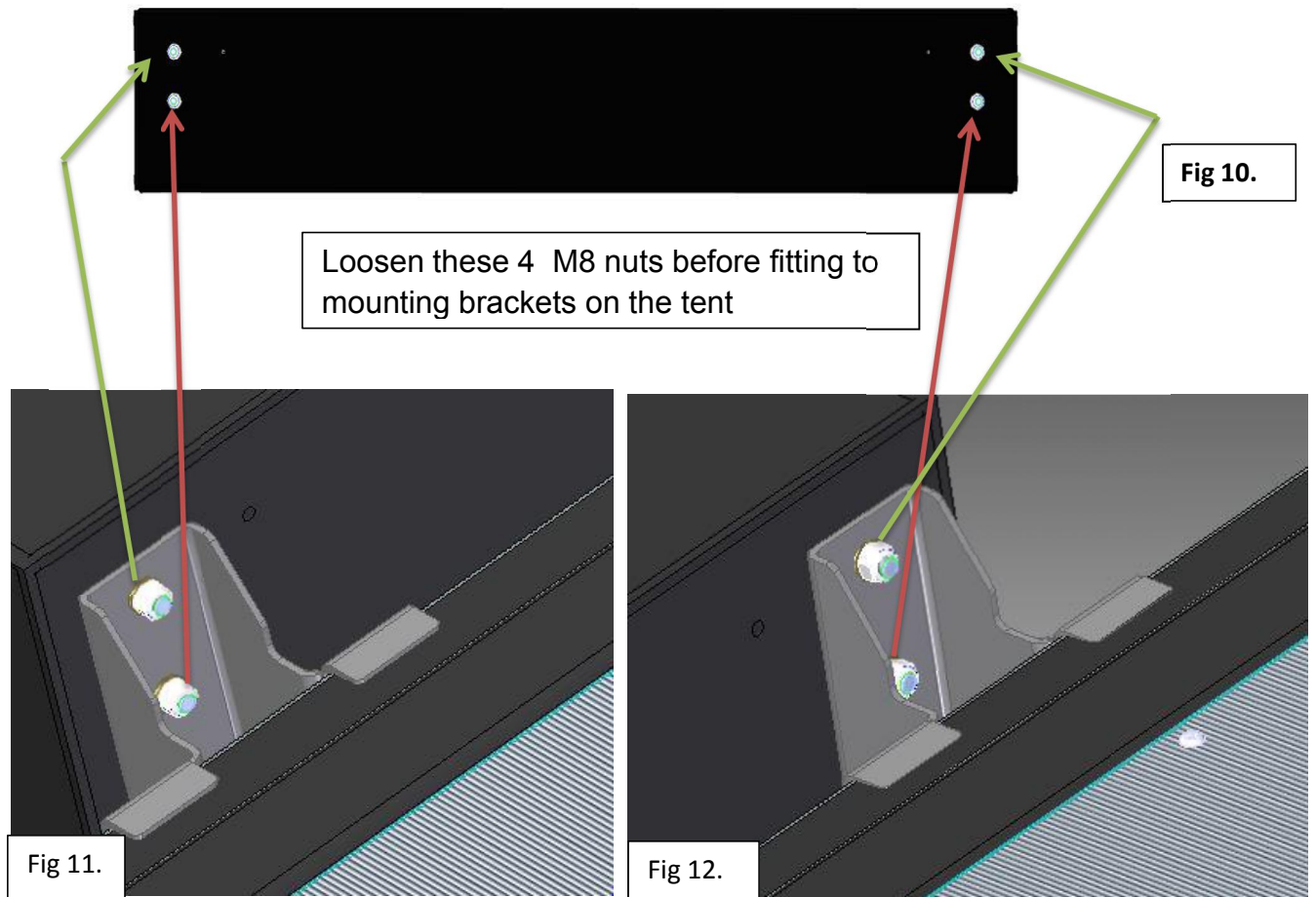
WASHER M8

TR-AW-010-002 REV B

FIG 9.

Place M8 Plastic Nut Caps on all M8 Nyloc Nuts and bolt heads on the outside to finish of the mounting bracket fitment.

3. Mounting the shower cubicle.



Place **shower cubicle assembly with the bag** on mounting brackets and secure shower cubicle to the mounting brackets using the same nuts that were removed in **fig 10**. And place M8 nut caps on all nuts.