

FITMENT INSTRUCTIONS

Alu-Cab™



Shower Cube to Load bars

Should you experience any problems please
contact us so that we can assist you

Enquiries: queries@alu-cab.co.za
Tel: +27 21 703 3028

1. Shower Cubicle Fitment – Tools, Fasteners & Materials

The tables below show the equipment, i.e. tools and fasteners required to start the shower cubicle fitment onto a Icarus Tent.

1.1. Tools & Items Required:

| <u>TOOLS</u> |
|------------------------|
| Ratchet |
| 13mm Socket |
| 13mm Ring Flat Spanner |

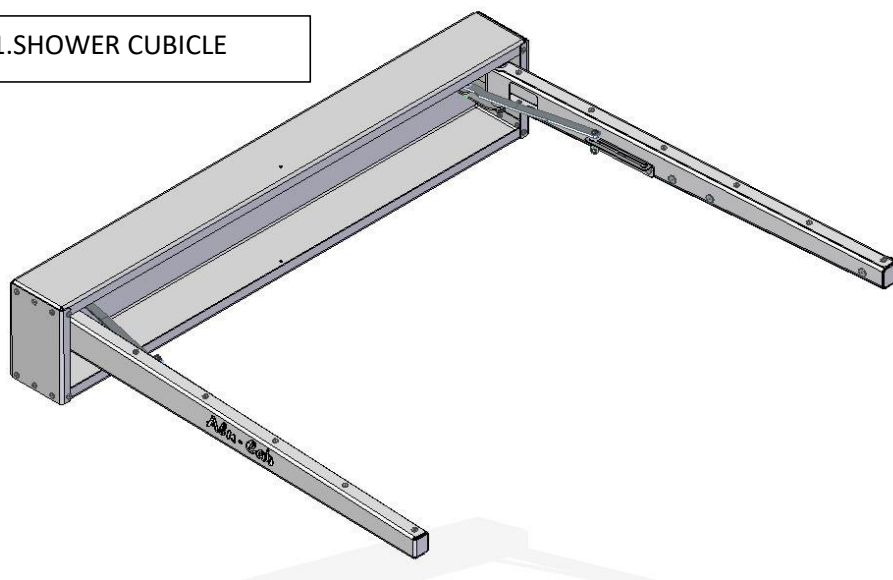
1.2. Fasteners supplied: (Included with Shower Cubicle)

| <u>ITEM</u> | <u>QUALITY</u> |
|---------------------|----------------|
| HEX HEAD BOLT M8X20 | 12 |
| M8 FLAT WASHER | 14 |
| M8 NYLOC NUT | 12 |
| M8 PLASTIC NUT CAP | 14 |

1.3. Hardware Required: (Included with Shower Cubical)

| <u>ITEM</u> | <u>DESCRIPTION</u> | <u>QUANTITY</u> |
|---------------------------|--------------------------|-----------------|
| SHOWER CUBICLE | SHOWER CUBICLE ASSEMBLY | 1 |
| SHOWER CUBICLE BAG | BLACK SHOWER CUBICLE BAG | 1 |
| SHOWER CURTAIN | GREY SHOWER CURTAIN | 1 |
| AWNING MOUNTING BRACKET | AMB-000-001 Rev b | 2 |
| AWNING BRACKET BACK PLATE | AMB-000-002 | 2 |

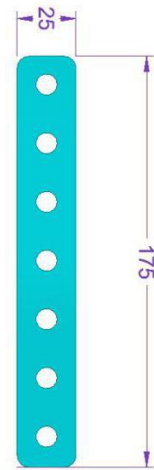
Fig 1.SHOWER CUBICLE





x2

Fig 2. AMB-000-001 Rev b



x2

Fig 3. AMB-000-002

2. Mounting the brackets to Load bar

Fig .4

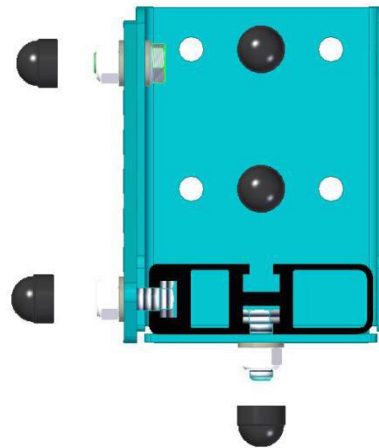
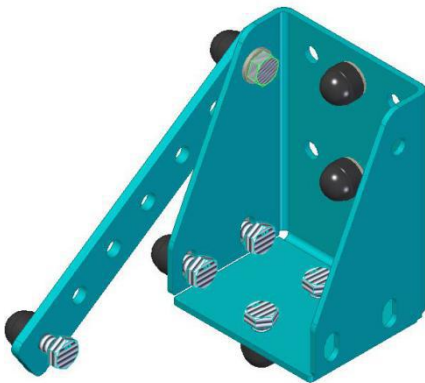


Fig.5

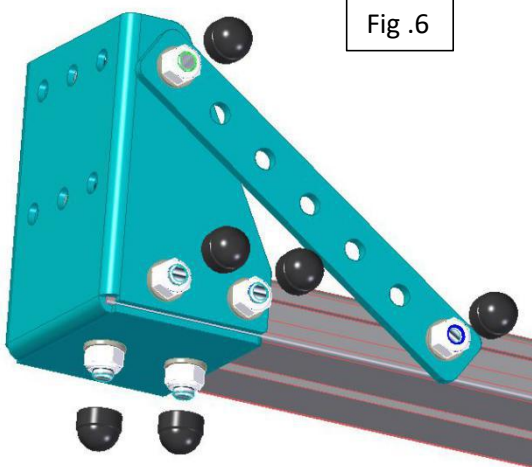


Fig .6

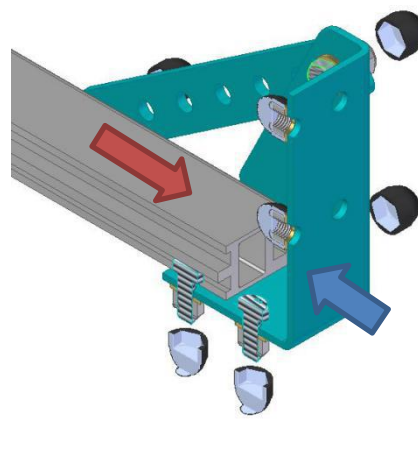
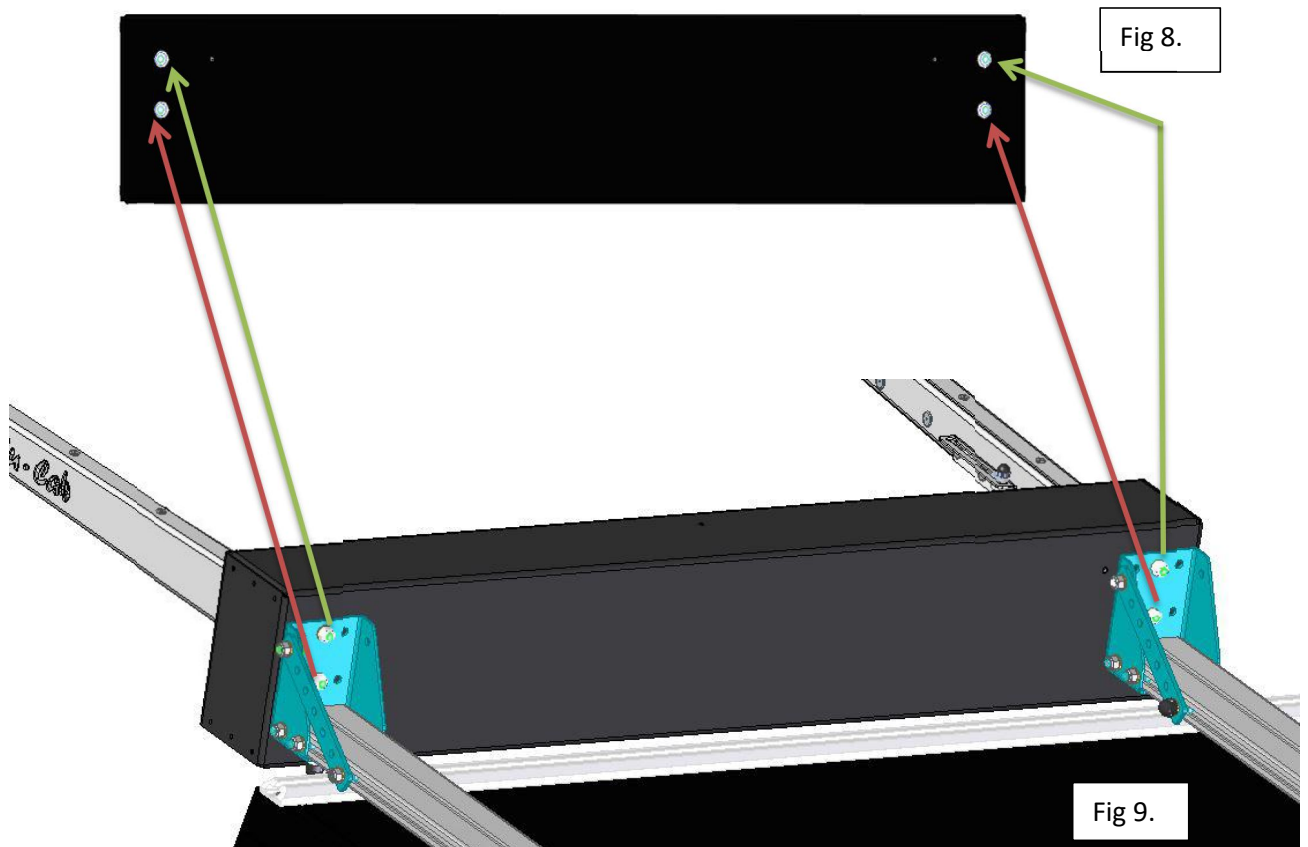


Fig 7. Sectional view mounting bracket sliding onto load bar.

fit all bolts, washers and nuts to the brackets before fitting them to the load bar, as it has to slide into the slots as seen in figures 4,5 and 6.

3. Mounting the shower cubicle

Place **shower cubicle assembly with the bag** on mounting brackets and secure shower cubicle to the mounting brackets using the same nuts that were removed in **fig 8. t**



Place M8 Plastic Nut Caps on all M8 Nyloc Nuts and bolt heads on the outside to finish of the mounting bracket fitment.