

FITMENT INSTRUCTIONS

Alu-CabTM



Shower Cube to Khaya Camper

Should you experience any problems please
contact us so that we can assist you

Enquiries: queries@alu-cab.co.za
Tel: +27 21 703 3028

1. Shower Cubicle Fitment – Tools, Fasteners & Materials

The tables below show the equipment, i.e. tools and fasteners required to start the shower cubicle fitment onto a Khaya Camper.

1.1. Tools & Items Required:

<u>TOOLS</u>	<u>ITEM</u>
Ratchet	Turpentine
13mm Socket	Cloth
13mm Ring Flat Spanner	Black sealant, silicone or Sikaflex
Drill	
Drill Bit Ø8.5	

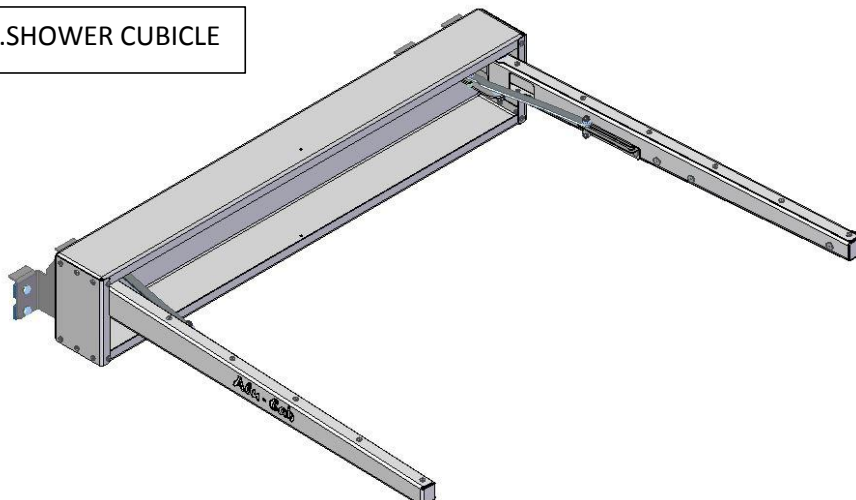
1.2. Fasteners supplied: (Included with Shower Cube brackets)

<u>ITEM</u>	<u>QUANTITY</u>
HEX HEAD BOLT M8X20	2
HEX HEAD BOLT M8X25	4
M8 FLAT WASHER	12
M8 NYLOC NUT	12
M8 PLASTIC NUT CAP	12

1.3. Hardware Required: (Included with Shower Cube)

<u>ITEM</u>	<u>DESCRIPTION</u>	<u>QUANTITY</u>
SHOWER CUBICLE	SHOWER CUBICLE ASSEMBLY	1
SHOWER CUBICLE BAG	BLACK SHOWER CUBICLE BAG	1
SHOWER CURTAIN	GREY SHOWER CURTAIN	1
KHAYA MOUNTING BRACKET	415-SHW-MNT-BKT-03-05	1
AWNING BRACKET	LR-AW-000-002	1
AWNING BRACKET BACK PLATE	TR-AW-010-002 REV B	4
AWNING BRACKET BACK PLATE	AWN-BKT-02-002	1

Fig 1.SHOWER CUBICLE



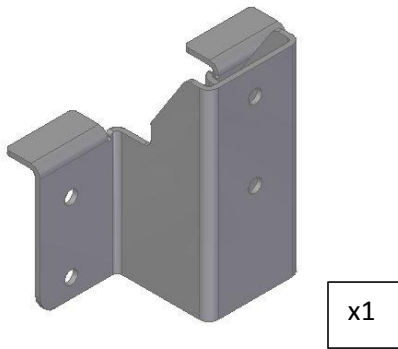


Fig 2. LR-AW-000-002

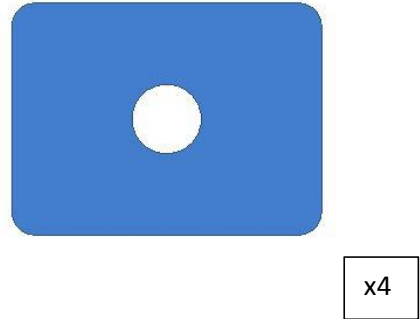


Fig 3. TR-AW-010-002 REV B

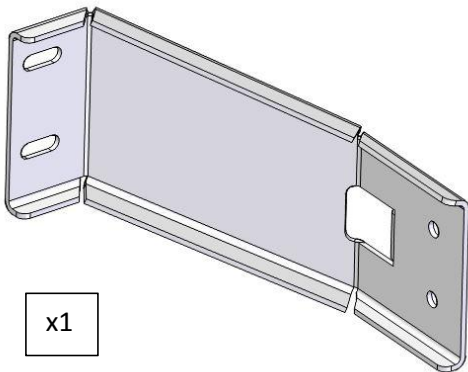


Fig 4. 415-SHW-MNT-BKT-

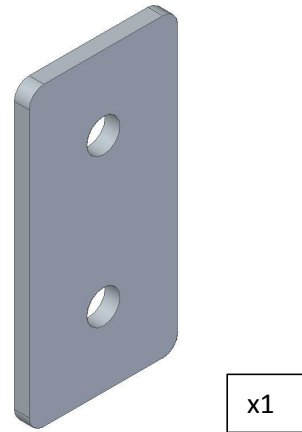
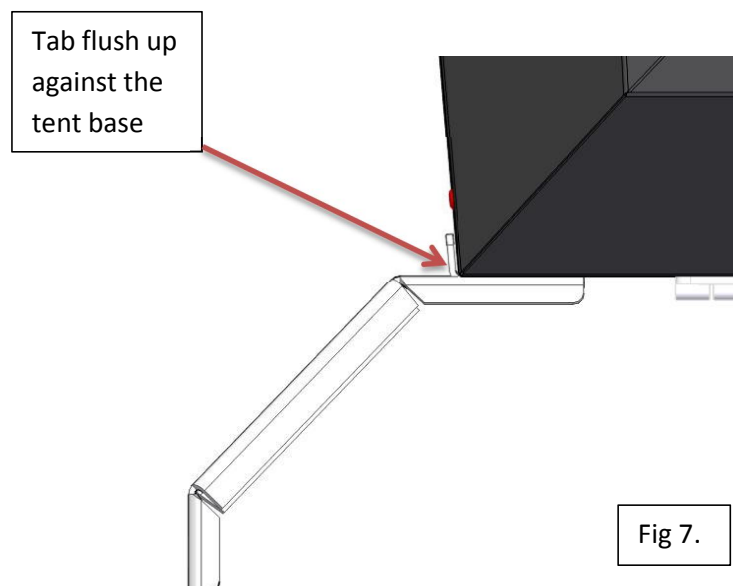
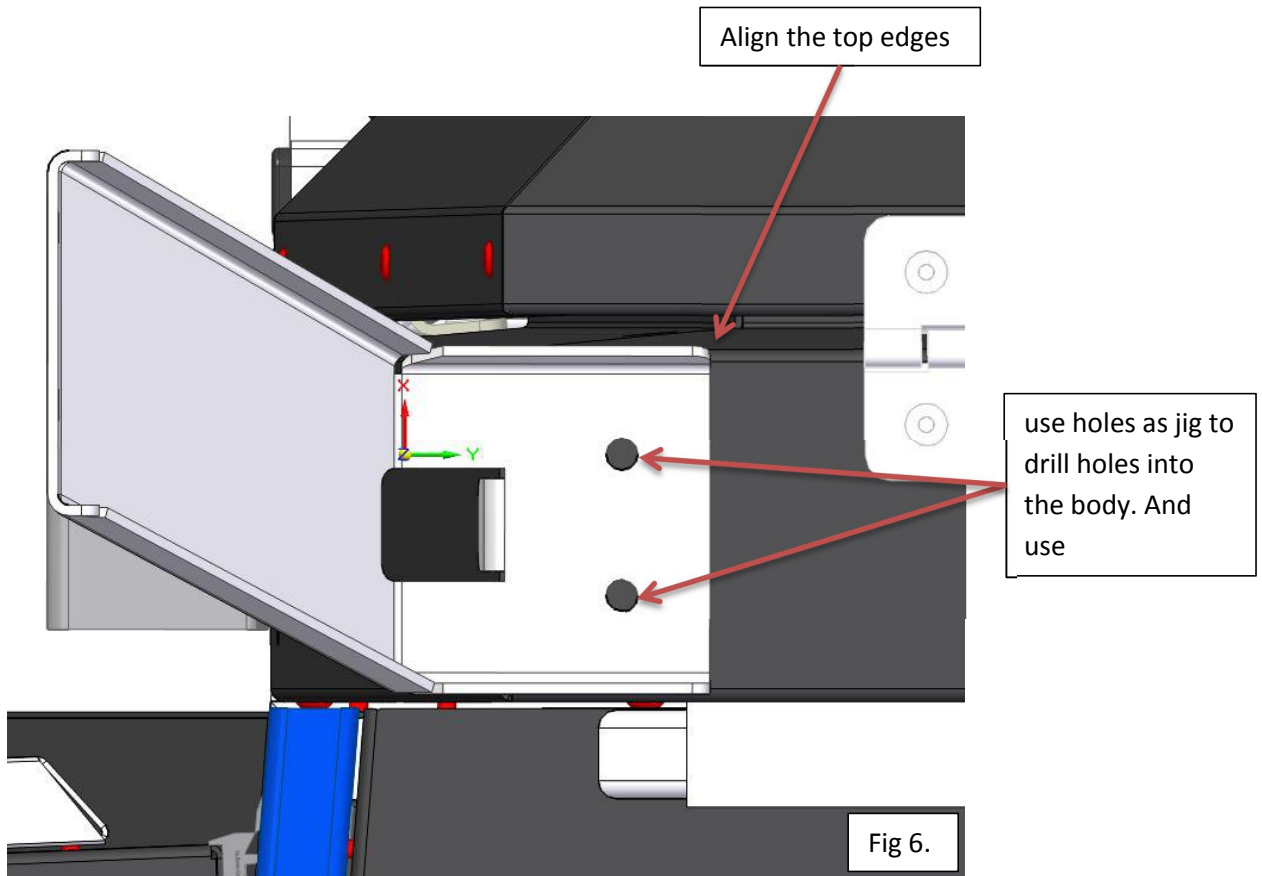


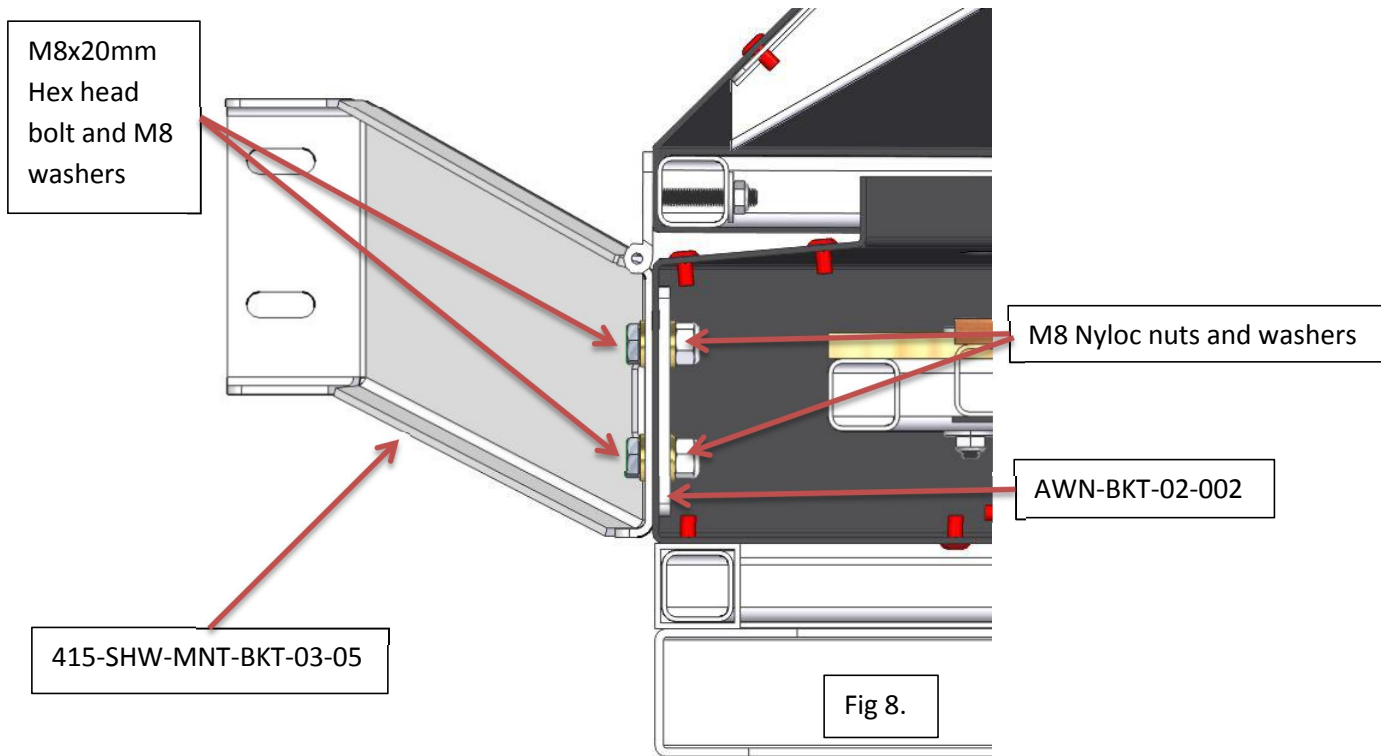
Fig 5. AWN-BKT-02-002

2. Mounting the brackets to the Khaya Camper

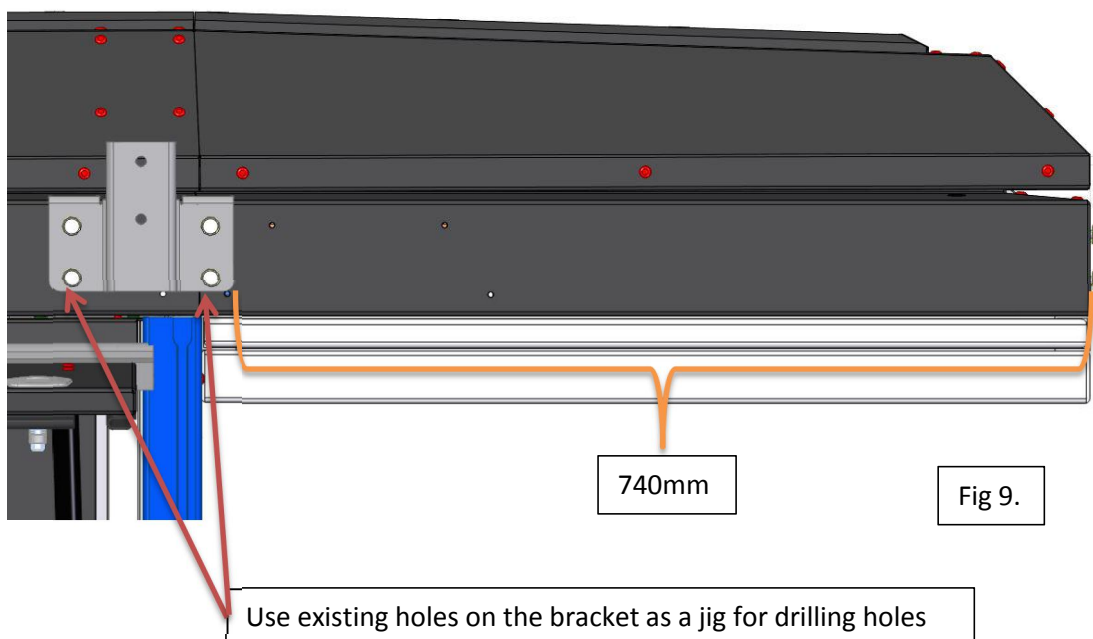
Align the top edge of the bracket with the top edge of the tent base, with the tab of the shower mount bracket(415-SHW-MNT-BKT-03-05) up against the tent base as seen below in Fig 6 & 7

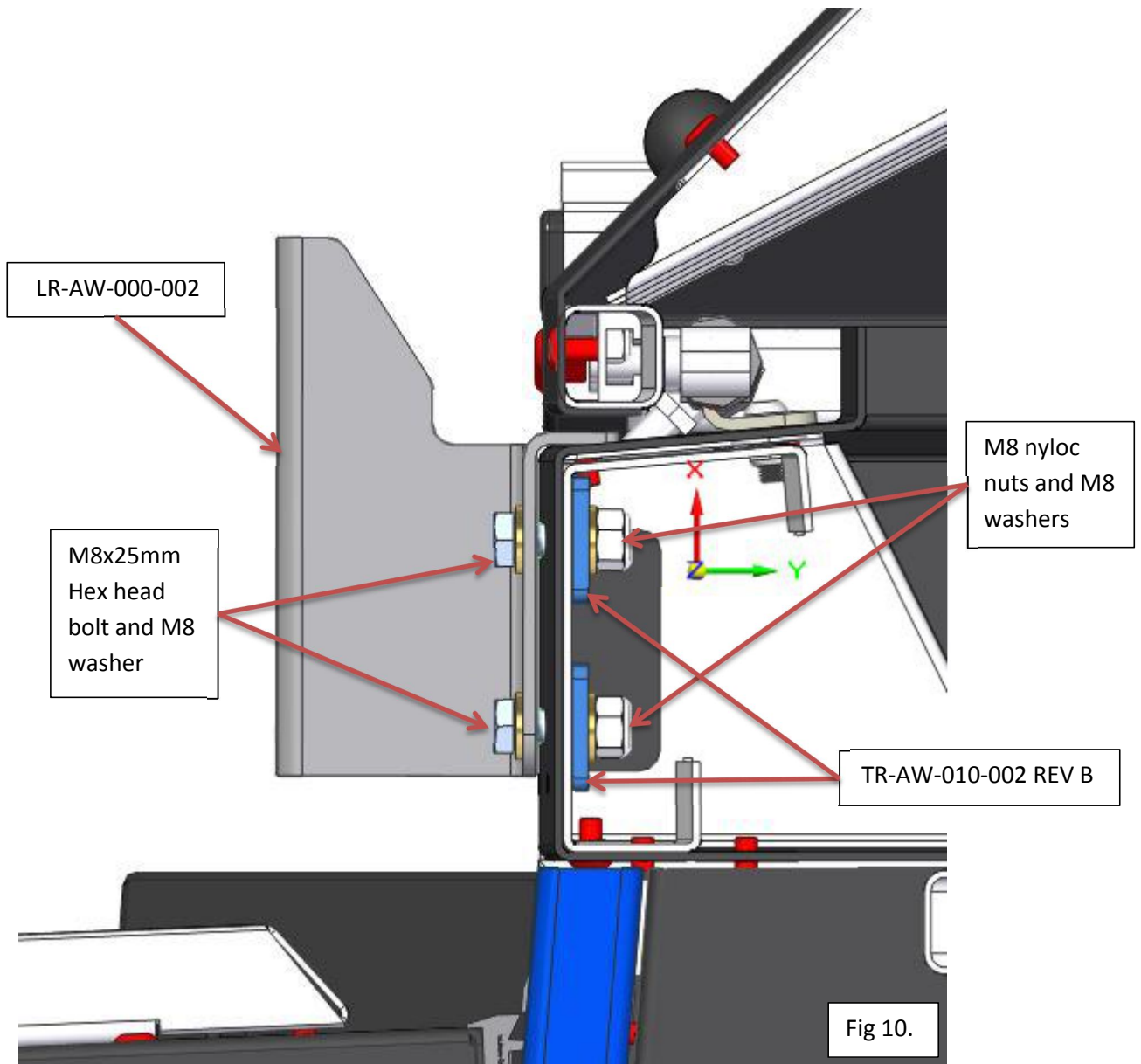


Remember to use Sika flex between the brackets and end plates for sealing purposes.



Fit the bracket (**LR-AW-000-002**) 740mm from the front of the tent base as seen below in Fig 9.





Remember to apply Sika flex between the brackets and the tent base for sealing purposes.

3. Mounting the shower cubicle.



Fig 11.

Loosen these 4 M8 nuts before fitting to mounting brackets on the tent .

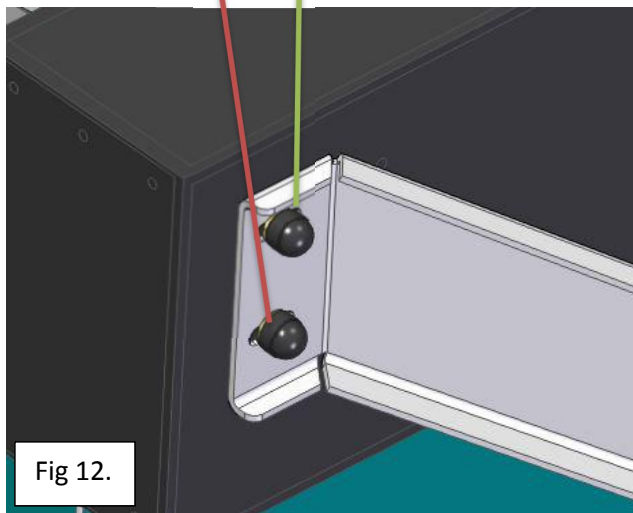


Fig 12.

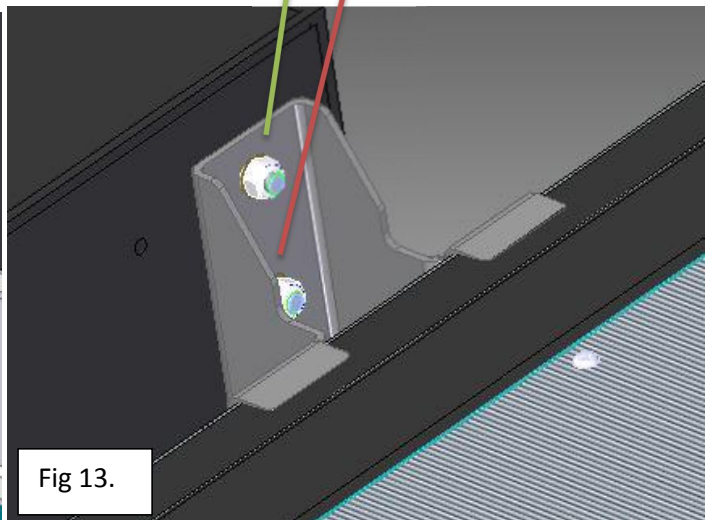


Fig 13.

Place **shower cubicle assembly with the bag** on mounting brackets and secure shower cubicle to the mounting brackets using the same nuts that were removed in **fig 11**. And place M8 nut caps on all nuts.