

FITMENT INSTRUCTIONS

Alu-Cab™



Isuzu Double Cab Canopy Fitment Instructions

All rights reserved. No part of this document may be reproduced, translated, stored in a retrieval system, or transmitted, in any form or by any means, electronic, mechanical, photocopying, recording or otherwise, without prior written permission of the owner.

Review all instructions information carefully before installation.

Any damages, direct or incidental to the installer and/or property due to incorrect installation of any parts are the responsibility of the installer. Due to the various applications and fitment options available, the responsibility lies with the user to ensure all mounting points are secure and tight before every trip. If unsure, consult with your Distributor regarding the operations of our products.

Users are advised to be mindful of the load they are carrying and drive in accordance with road conditions.

DISCLAIMER

Alu-Cab

1. Canopy Fitment – Tools, Fasteners & Materials

The tables below show the equipment, i.e. tools and fasteners required to start the canopy fitment for an Isuzu Double Cab.

1.1. Tools Required:

<u>TOOLS</u>
Ratchet
Torx Screw driver
13mm socket
13 mm spanner

1.2 Consumables Required:

<u>ITEMS</u>
Turpentine
Cloth
Black Sealant, silicone or SikaFlex
Window Cleaner

1.2. Fasteners required: (Included with canopy)

<u>ITEM</u>	<u>QUANTITY</u>
M8x30mm Hex Bolts	8 off
M8x25mm Hex Bolts	4 off
M8x40mm Hex Bolts	2 off
M8x20mm Hex Bolts	12 off
M8 Flat Washer	20 off
M8 Nylock Nuts	14 off
M8 Plastic Nut Caps	24 off

1.3. Hardware Required: (Included with canopy)

<u>ITEM</u>	<u>DESCRIPTION</u>	<u>QUANTITY</u>
Isuzu Canopy Mount - IRF	Front Right Mounting Bracket	1 off
Isuzu Canopy Mount - ILF	Front Left Mounting Bracket	1 off
Isuzu Canopy Mount - ILR	Rear Right Mounting Bracket	1 off
Isuzu Canopy Mount - IRR	Rear Left Mounting Bracket	1 off
Universal Canopy Mounting Bracket	Canopy Mounting Bracket	4 off
Centre Mounting Bracket (CMB-000-001)	Centre Mounting Bracket	2 off
Centre Mounting Bracket (CMB-000-002)	Hook Type Bracket	2 off
Canopy Shim	Canopy Bracket Spacer	32 off



WARNING

Always wear appropriate PPE (Personal protection equipment) when fitting this product. Although the mounting kit is designed to be DIY, if you have any doubts or concerns, contact an accredited fitment centre to carry out the work. Alu-Cab will not be liable for any injury to persons, and/or damage to products and/or vehicles.

Part Identification:



Figure 1:
Isuzu Canopy Mount – ILF
(Left Front)

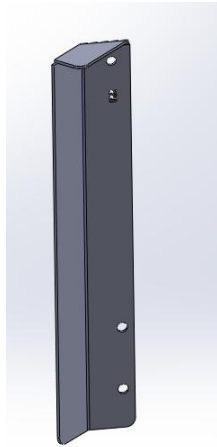


Figure 2:
Isuzu Canopy Mount – IRR
(Rear Right)

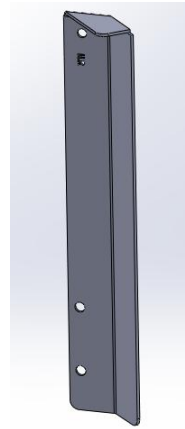


Figure 3:
Isuzu Canopy Mount – ILR
(Left Front)



Figure 4:
Isuzu Canopy Mount – IRF
(Right Front)

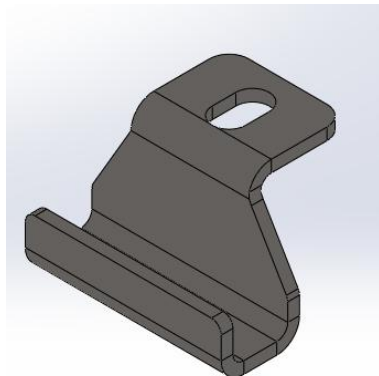


Figure 5:
Centre Mounting Bracket
(CMB-000-002)

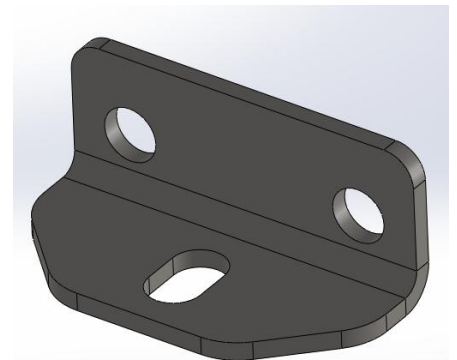


Figure 6:
Centre Mounting Bracket
(CMB-000-001)

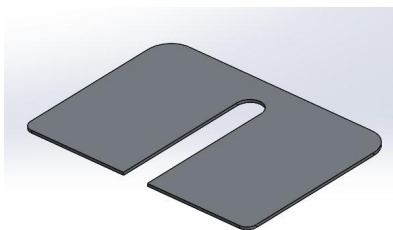


Figure 7:
Canopy Shim

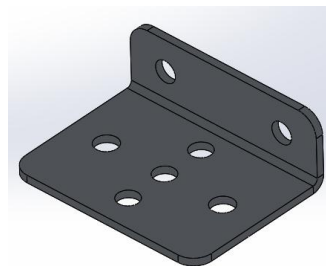


Figure 8:
Universal Canopy Mounting Bracket

1.4. Mounting the Support Brackets to the Load Bin

a) Step 1 – Removing the Standard Hooks

Remove the front and rear standard hook brackets from the load bin using a Phillips screw driver.

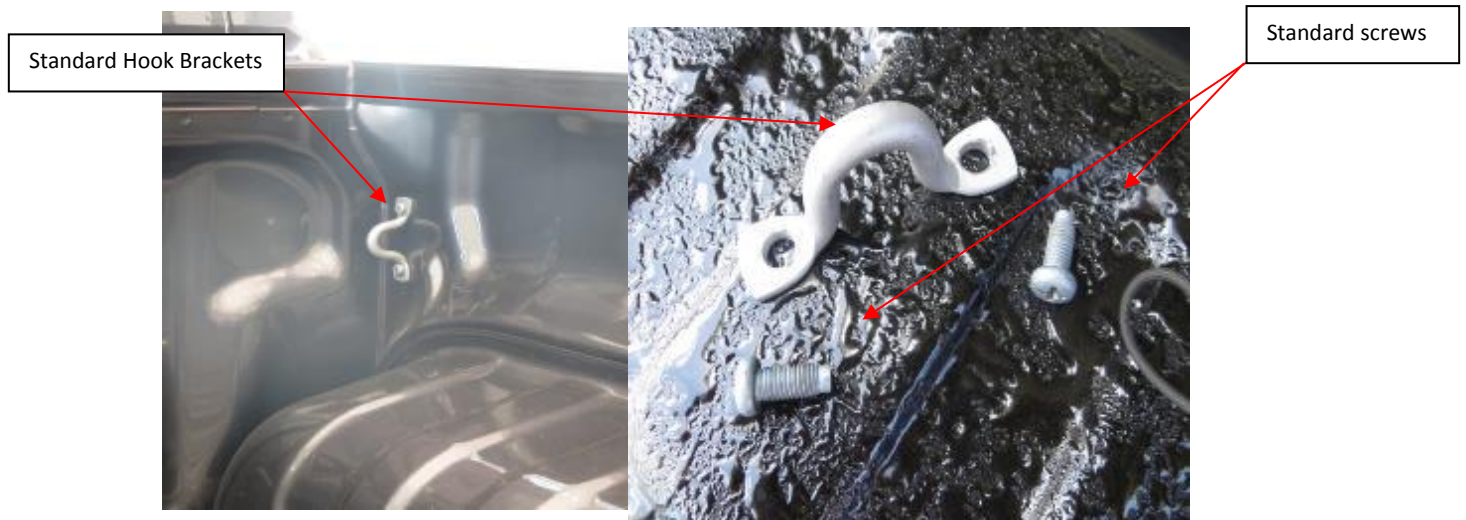


Figure 9: Standard Hook Points

b) Step 2 – Positions of the Front and Rear Support Brackets to the Load Bin

Figures 10 and 11 shows where the mounting brackets are fixed to the load bin. It mounts in the same place as the standard hooks shown above.

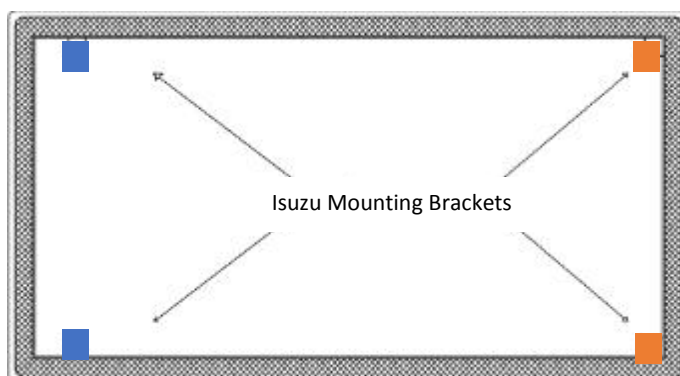


Figure 10: Top View of Load Bin

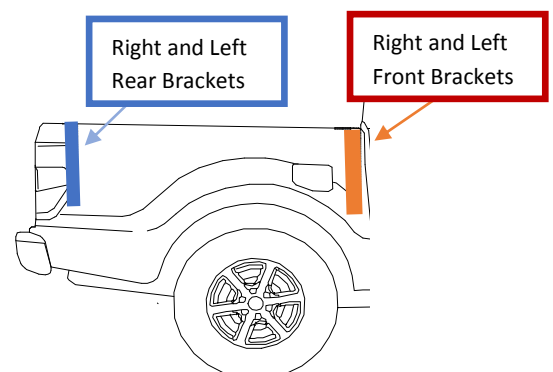


Figure 11: Side View of Load

c) Step 3 – Bolting the front support brackets to the load bin

Mount the bracket onto the load bin using M8x30 hex bolts, M8 flat washers and M8 nut caps shown in Figure 12. This is done for the left and right-hand side front support brackets.

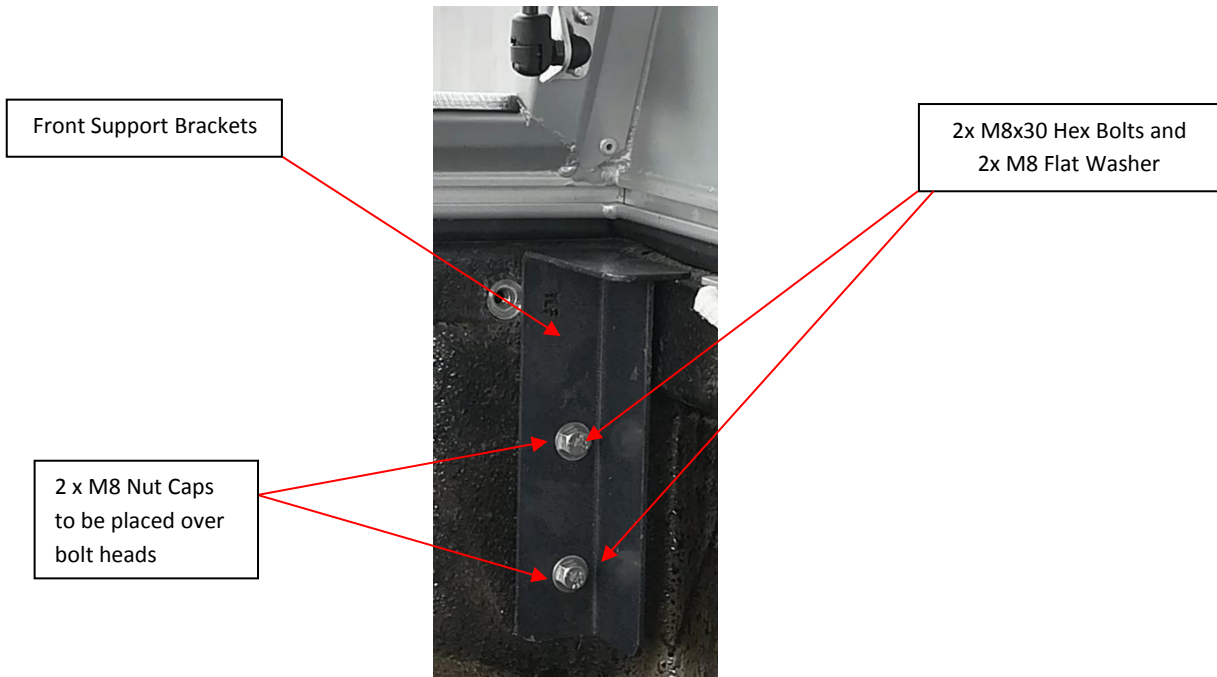


Figure 12: Front Bracket installed

d) Step 4 – Bolting the rear support brackets to the load bin

Repeat Step 3 for the rear support brackets. This must be done for the left and right hand side rear support brackets. See Figure 13 below.

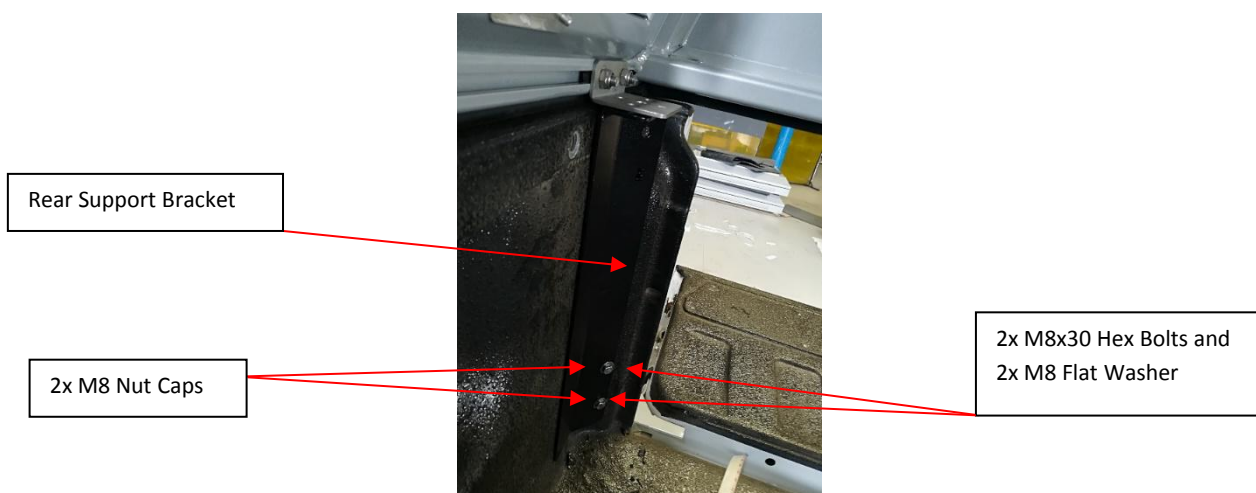


Figure 13: Rear Bracket installed

3. Centre Mounting Brackets

3.1. Mounting the Centre Mounting Bracket

Figure 15 below is the assembly of the centre mounting brackets.

Figure 14 below shows a section view of how the centre mounting bracket clamps onto the load bin.

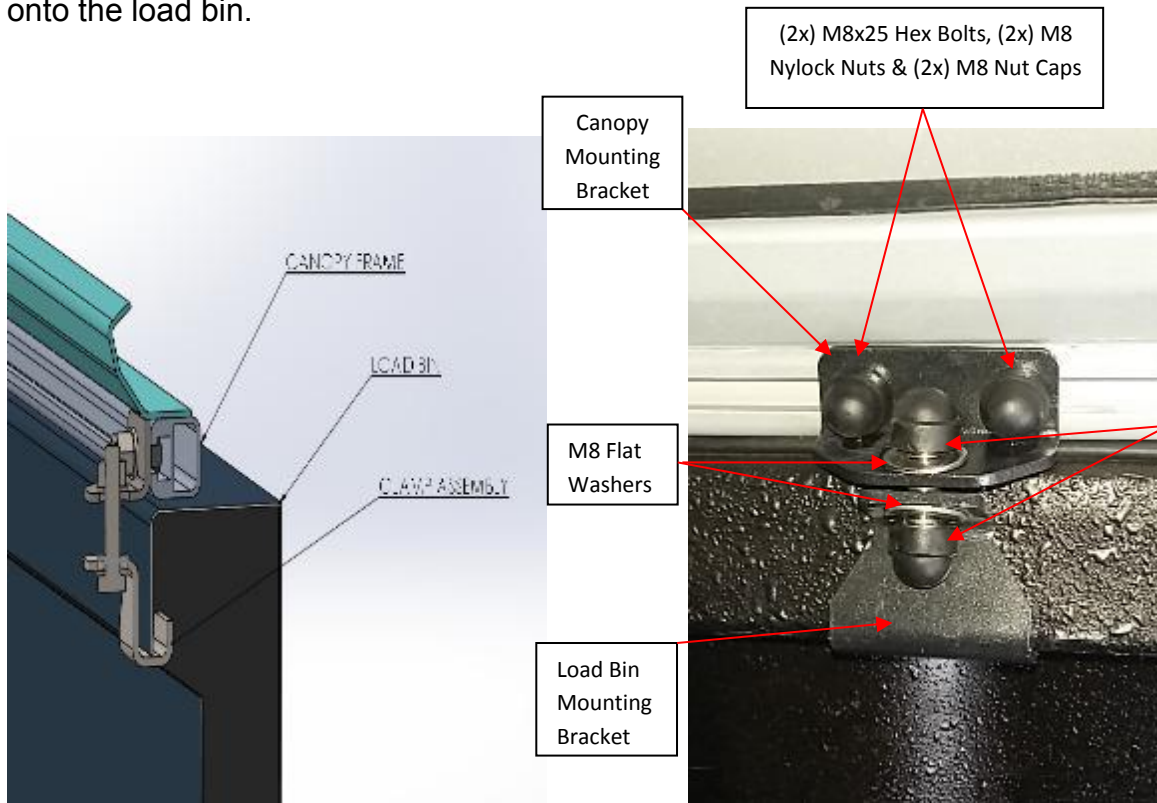


Figure 14: Centre Bracket Mounting Assembly

Figure 15: Section View of Clamping Method

4. Canopy Installation

Before placing the canopy onto the load bin, check that the D-Rubber is intact on the canopy. If this is not done, the canopy and/or load bin could be damaged or can cause leaks into the canopy.

To position the canopy, ensure that it is flush with the load bin.

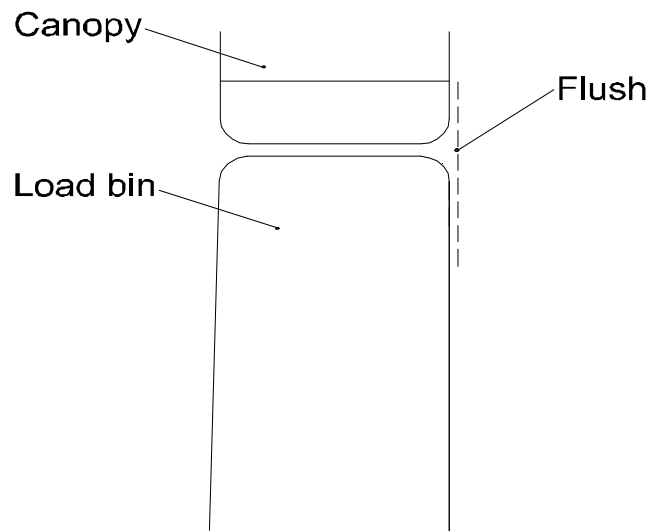


Figure 16: Canopy and Load Bin Alignment

4.1. Canopy Fitment to Load bin

Keep all the doors of the canopy open besides the rear door when placing it onto the load bin to check for square.

a) Step 1 – Bolting the Universal Bracket to the Rear Support Brackets

Align the Universal bracket to the rear support bracket mounted to the load bin and insert the mounting bolt. Slide in the spacer plates between the 2 brackets and tighten the bolt.

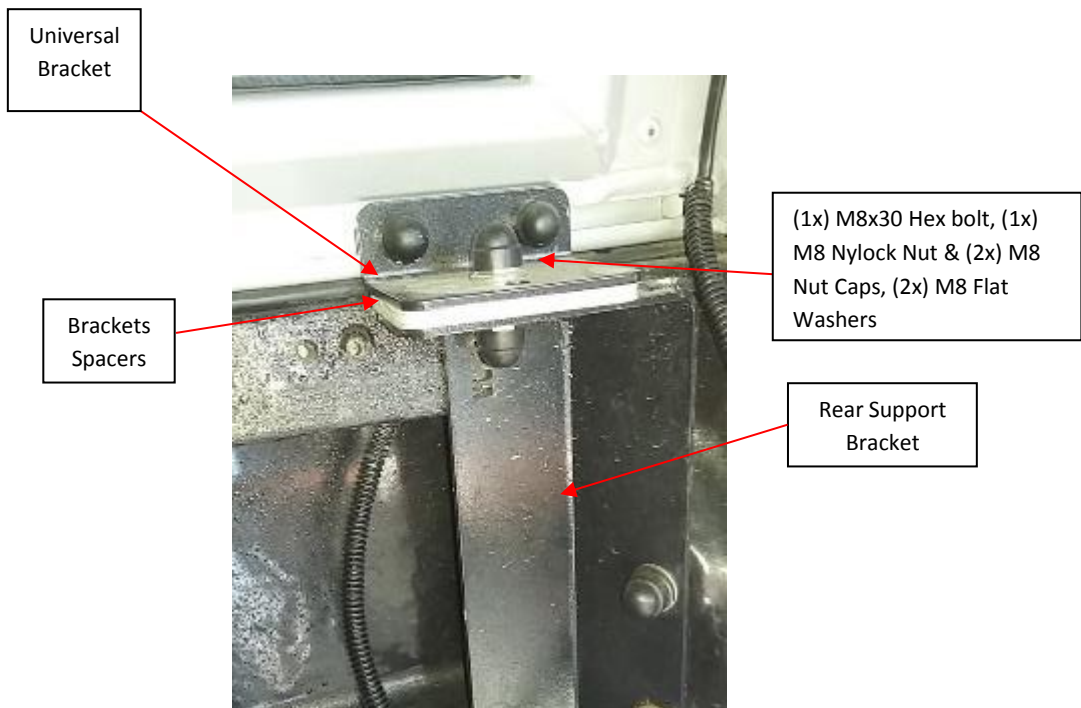


Figure 17: Mounting Universal- Rear Support Bracket

a) Step 2 – Tightening the Universal Bracket to the Canopy

Tighten the nylock nuts and mount the universal bracket to the canopy using a ratchet and a 13mm socket. Cover the nuts with M8 nut caps. This is done for the front and rear mountings brackets.

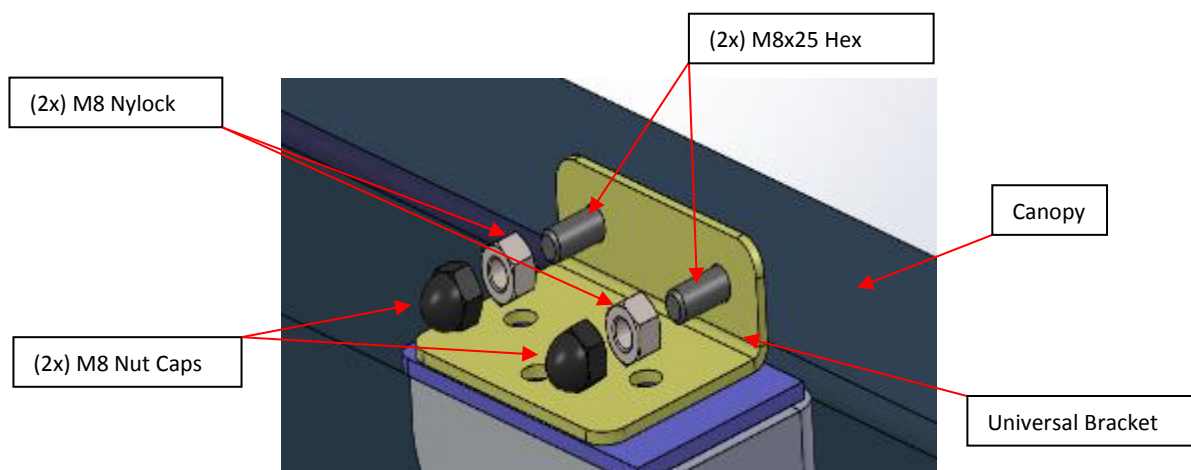


Figure 18: Universal-Canopy mounting bolts assembly

b) Step 3 - Bolting the Universal Bracket to the Front Support Brackets

Align the Universal bracket to the front support bracket mounted to the load bin and insert the mounting bolt. Slide the bracket spacers between the 2 brackets and tighten the bolt.

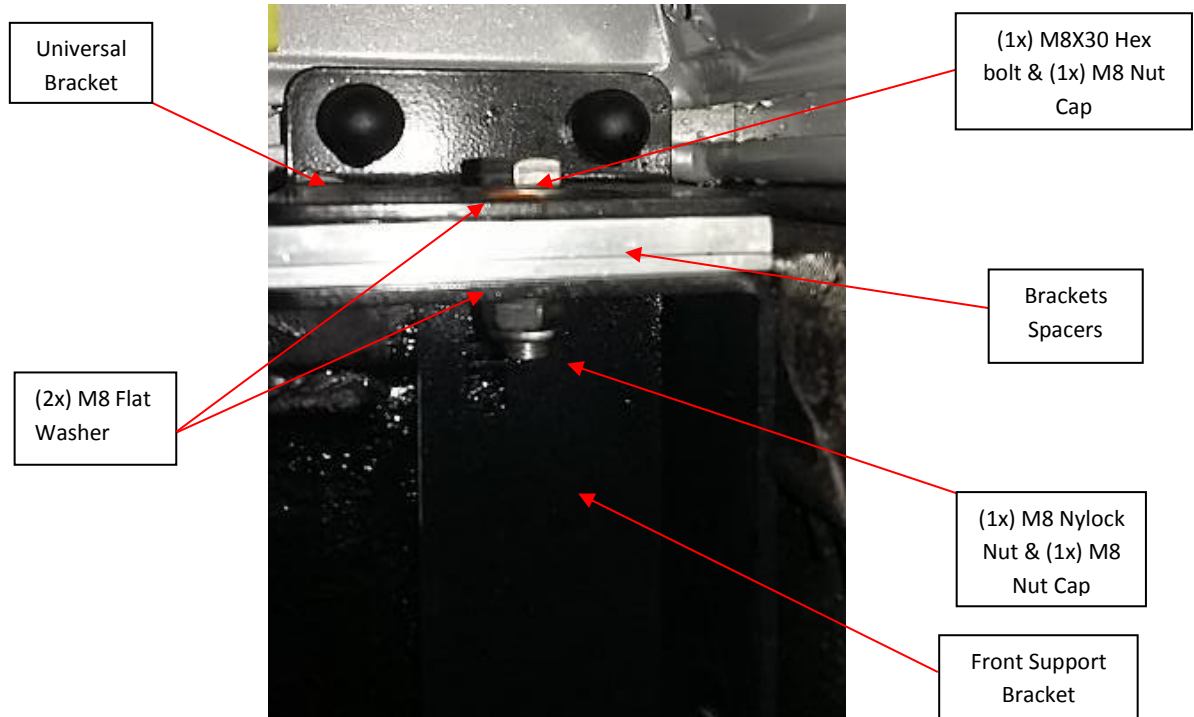


Figure 19: Front Support Bracket Installed



Figure 20: Mounting Universal-Front Support Bracket

The Right-Hand Side support brackets has been installed, repeat the steps for the Left-Hand Side support brackets and the canopy is installed successfully.