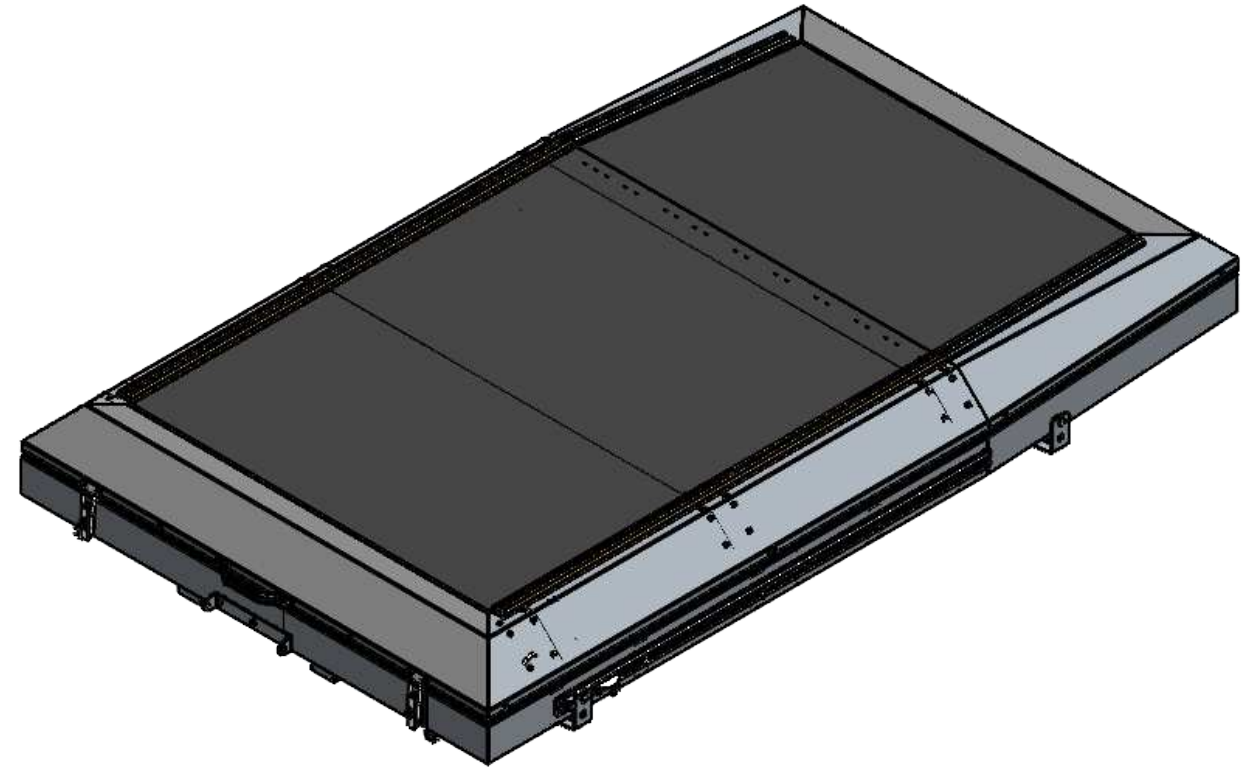
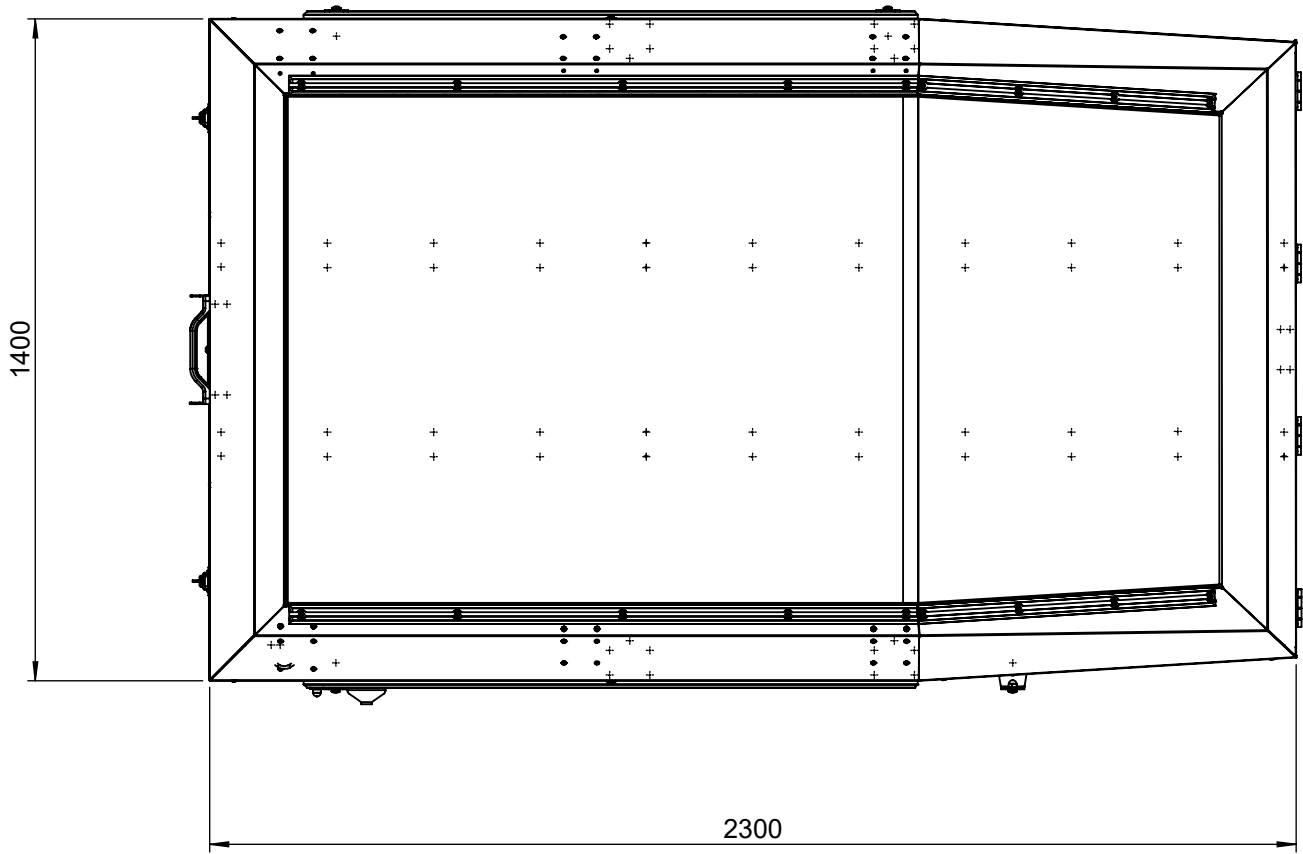
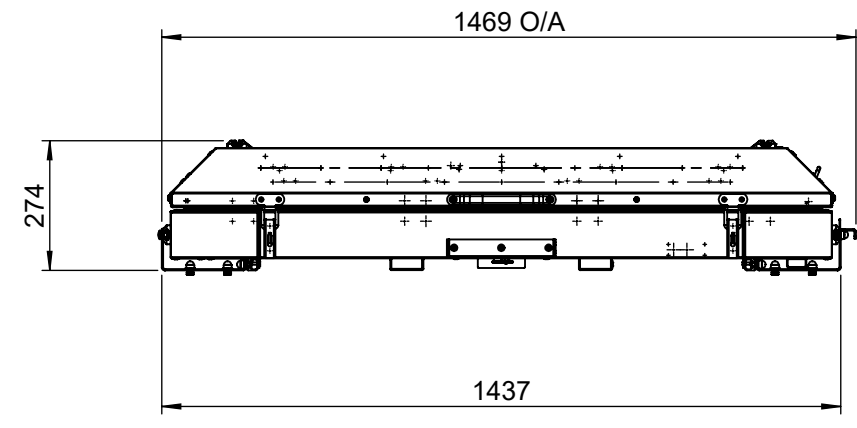
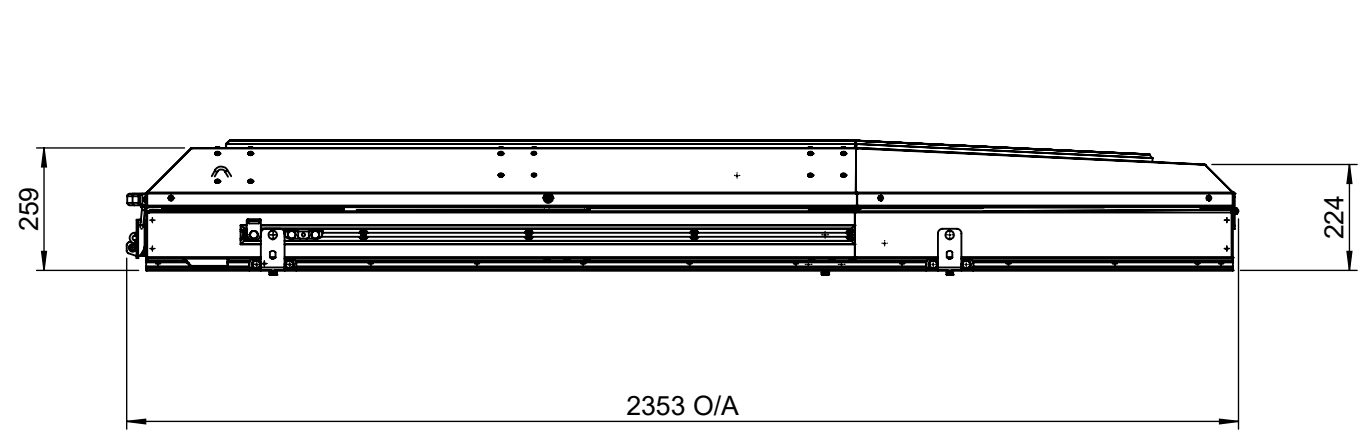


GEN 3.1 TENT - GENERAL ARRANGEMENT

ASSY INFO	MASS (kg):	71.320
	BONDED:	Y
	FASTENED:	Y
FINISH	WELDED:	Y
	TUMBLED:	
	BRUSHED:	
	POWDER:	Y
	SPRAY:	
	COLOUR:	N/A



TOLERANCES TO ASSUME UNLESS INDICATED OTHERWISE

NOM	DIMENSION	RANGE (mm)	TOLERANCE
0.50	-	3.00	± 0.10
3.00	-	6.00	± 0.15
6.00	-	30	± 0.20
30	-	120	± 0.30
120	-	400	± 0.50
400	-	1000	± 1.00
1000	-	1000<	± 2.00

DESCRIPTION:
GEN 3.1 MAIN ASSEMBLY

PROJECT:
413 - GEN 3.1 TENT

DRAWN BY:
System Administrator

DATE:
2021-07-28

THE INFORMATION CONTAINED WITHIN THIS DOCUMENT IS THE INTELLECTUAL PROPERTY OF ALU-CAB (PTY) LTD

SHEET:
A3

SCALE:
1:16

SHEET
1 of 1



DRAWING NO.
413-G3.1-MAIN ASSY-01 - GA

REV
00