

# FITMENT INSTRUCTIONS

**Alu-Cab™**



## **Alu-Cabin Water Tank Mounting Kit CC-A-WT-FS-KIT**

All rights reserved. No part of this document may be reproduced, translated, stored in a retrieval system, or transmitted, in any form or by any means, electronic, mechanical, photocopying, recording or otherwise, without prior written permission of the owner.

Review all instructions information carefully before installation.

Any damages, direct or incidental to the installer and/or property due to incorrect installation of any parts are the responsibility of the installer. Due to the various applications and fitment options available, the responsibility lies with the user to ensure all mounting points are secure and tight before every trip. If unsure, consult with your Distributor regarding the operations of our products.

Users are advised to be mindful of the load they are carrying and drive in accordance with road conditions.

**DISCLAIMER**

**Alu-Cab**

## **1. FS CC Water Tank Mounting Kit Fitment – Tools, Fasteners & Materials**

The tables below show the equipment, i.e. tools and fasteners required to fit the Full Size Canopy Camper Water Tank Mounting Kit to a Full Size Canopy Camper.

### **1.1. Tools & Items Required:**

<b>TOOLS</b>
Ratchet
13mm Socket
13mm Spanner
Ratchet Extension
Measuring Tape

### **1.2 Fasteners supplied:** (Included with Water Tank Mounting Kit)

<b>ITEM</b>	<b>QTY</b>
M8 X 20 HEX HEAD BOLT	6
M8 FLAT WASHER	10
M8 NYLOC NUT	10
M8 PLASTIC NUT CAP	10
M8 X 16 HEX HEAD BOLT	4

### **1.3 Hardware Required:** (Included with Water Tank Mounting Kit)

<b>ITEM</b>	<b>DESCRIPTION</b>	<b>QTY</b>
LB-1450	LOAD BAR MOUNT	1
165-LB-BRKT-01	LOAD BAR BRACKET	1
165-LB-BRKT-OPP-01	LOAD BAR BRACKET OPPOSITE	1



Figure 1. LB-1450

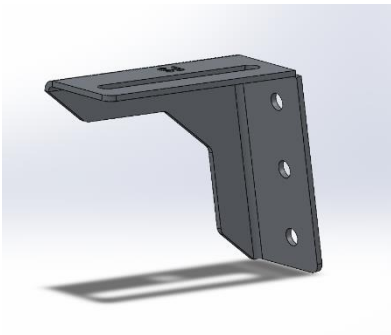


Fig 2. 165-LB-BRKT-01

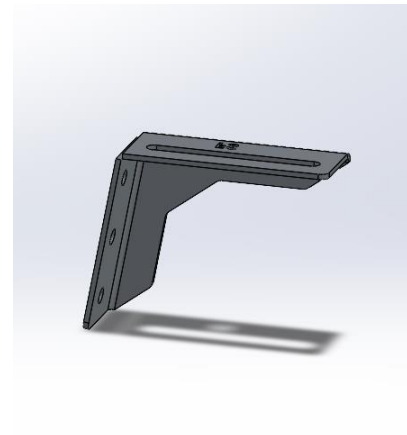


Fig 3. 165-LB-BRKT-OPP-01

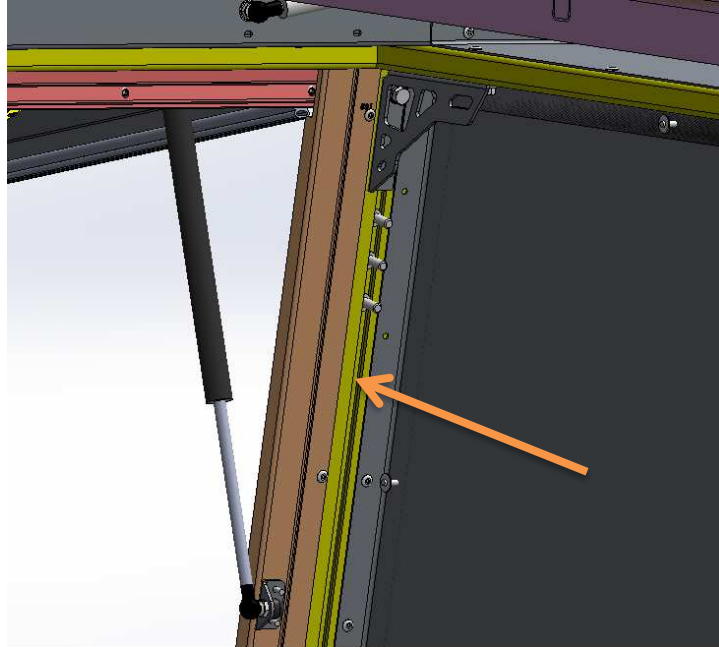


**WARNING**

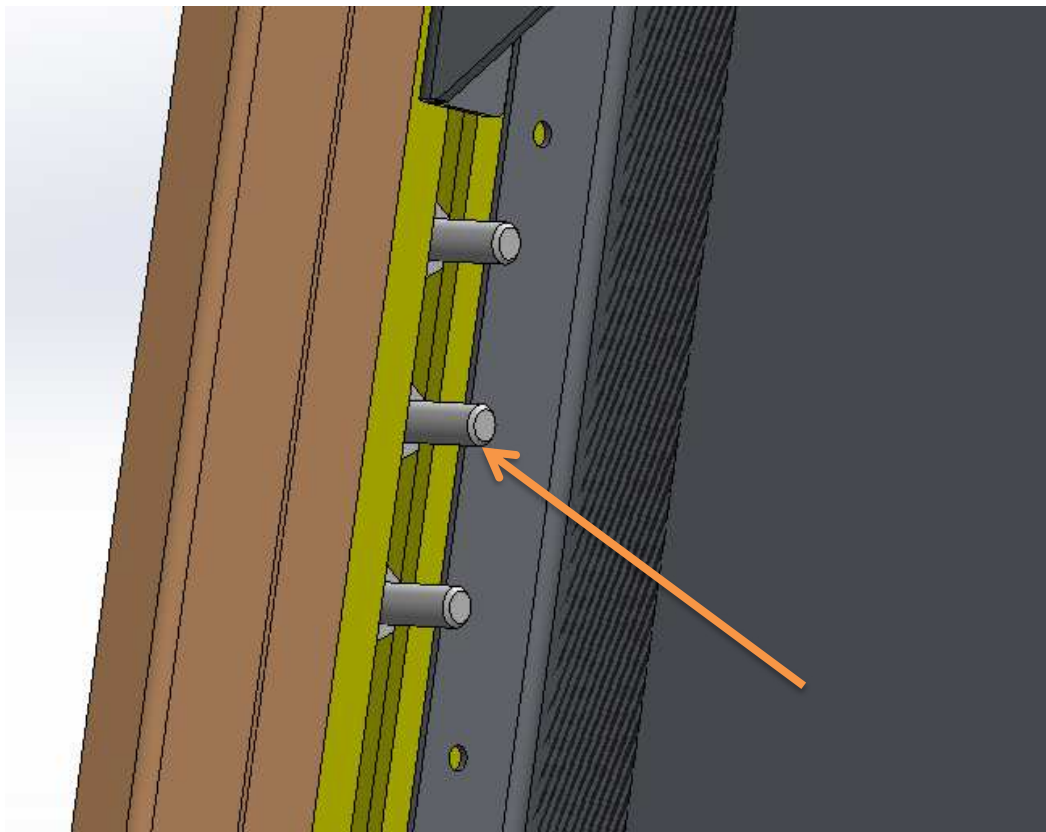
Always wear appropriate PPE ( Personal protection equipment) when fitting this product. Although the mounting kit is designed to be DIY, if you have any doubts or concerns, contact an accredited fitment centre to carry out the work. Alu-Cab will not be liable for any injury to persons, and/or damage to products and/or vehicles.

## 2. Load Bar Bracket Install

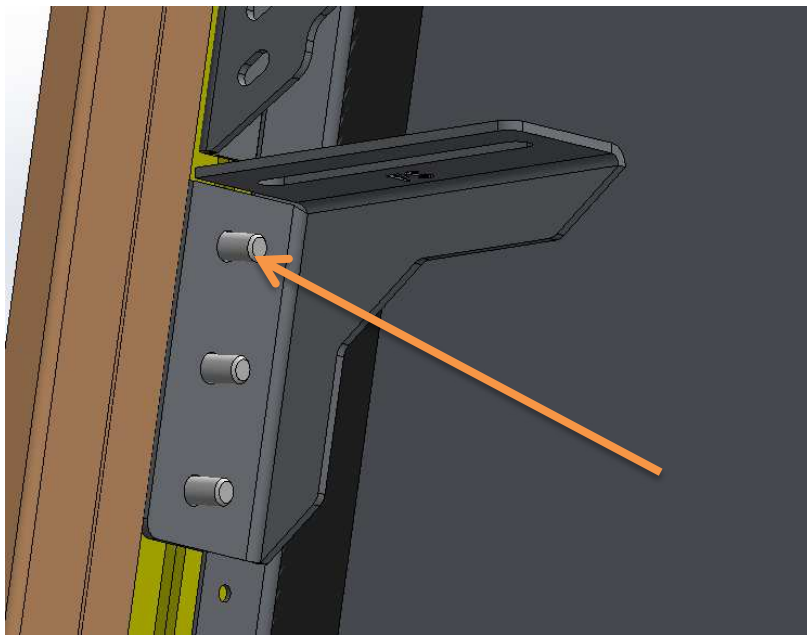
The first step in the installation is to install the Load Bar Brackets to the frame on the the Canopy Camper.



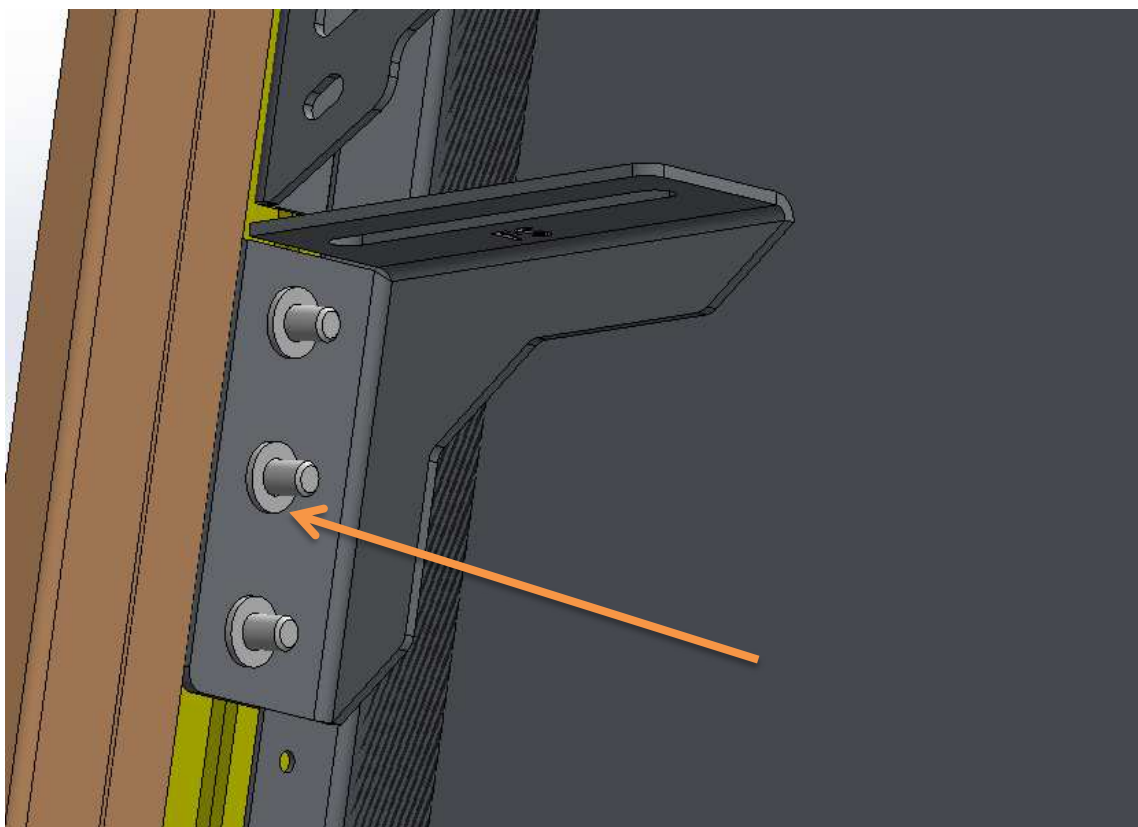
Place 3x M8 x 20 Hex Head Bolts into the Nut Slot of the Canopy Camper Frame.



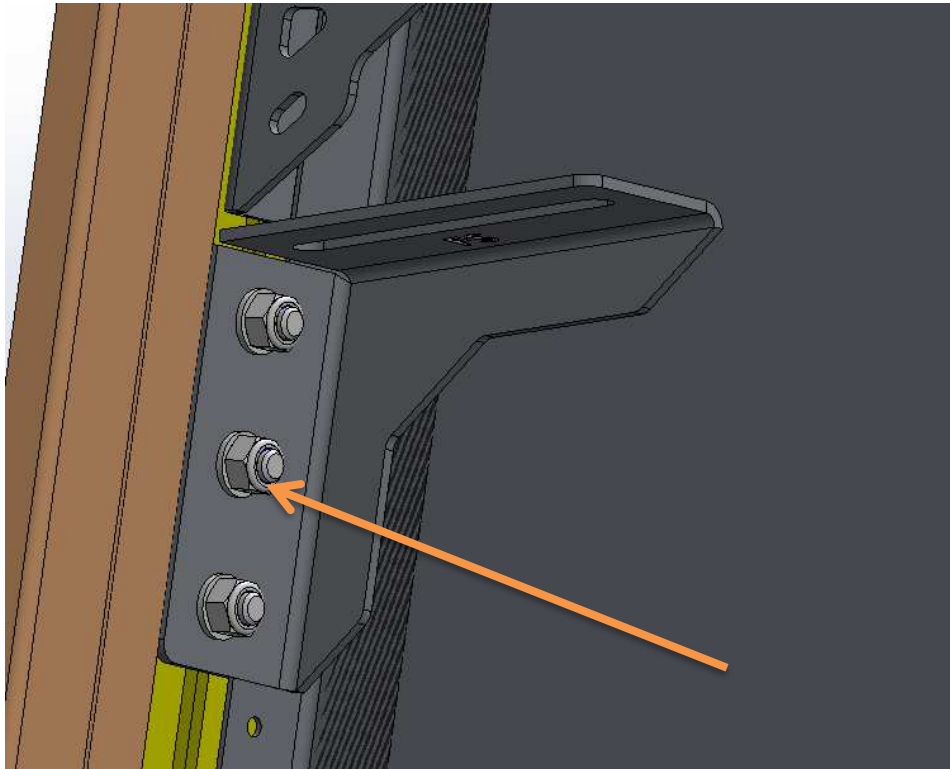
Now place the 165-LB-BRKT-01 Load Bar Bracket over the 3 Hex Head Bolt.



Place 3 X M8 Flat Washers over the Hex Head Bolts and Load Bar Bracket.



Fasten 3 X M8 Nyloc Nuts over the Hex Head Bolts, only finger tight to keep the assembly in place.

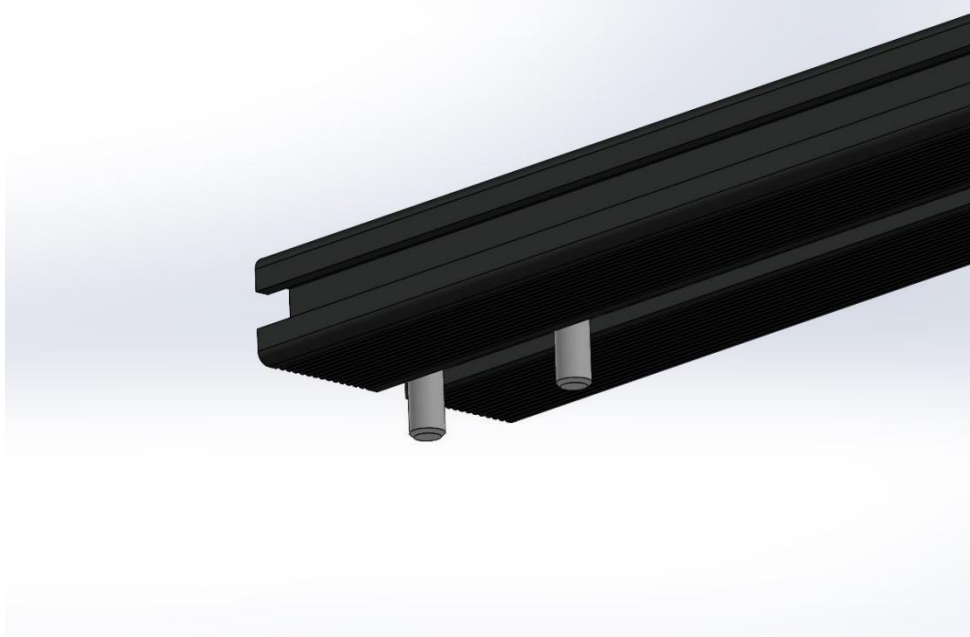


Repeat these steps on the opposite side of the Canopy Camper

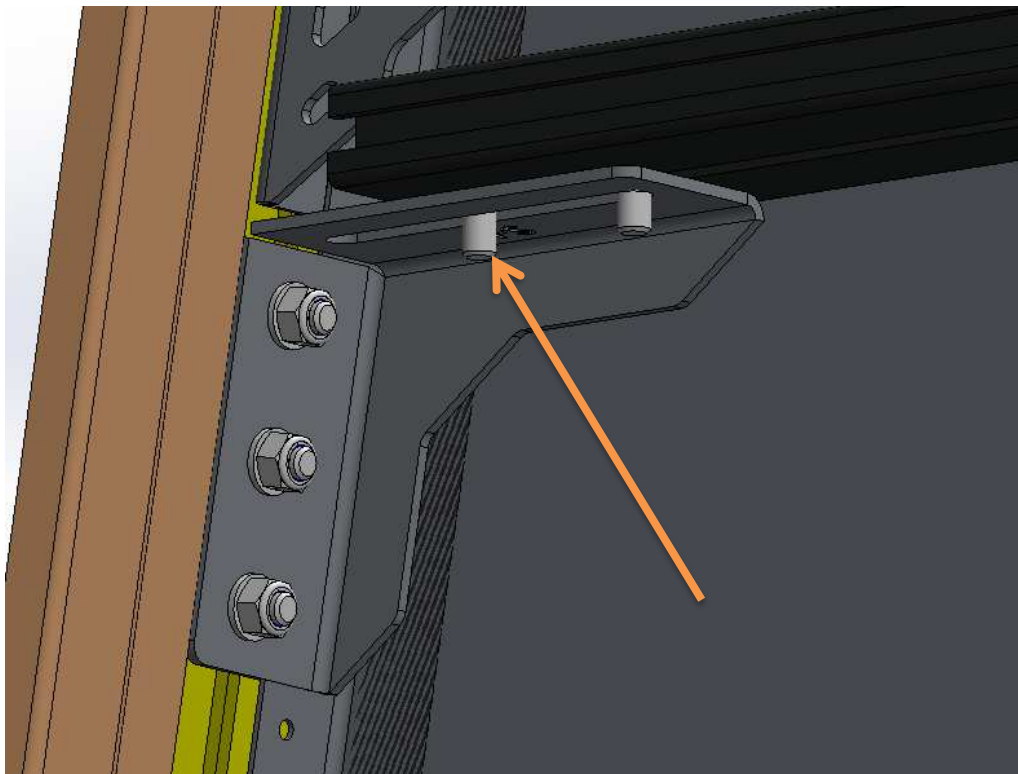
### **3. Load Bar Positioning**

The next step is to position the supplied Load Bar Mount on to the Load Bar Brackets. Insert 2 X M8 X 16 Hex Head Bolts into the Load Bar Nut Slot.

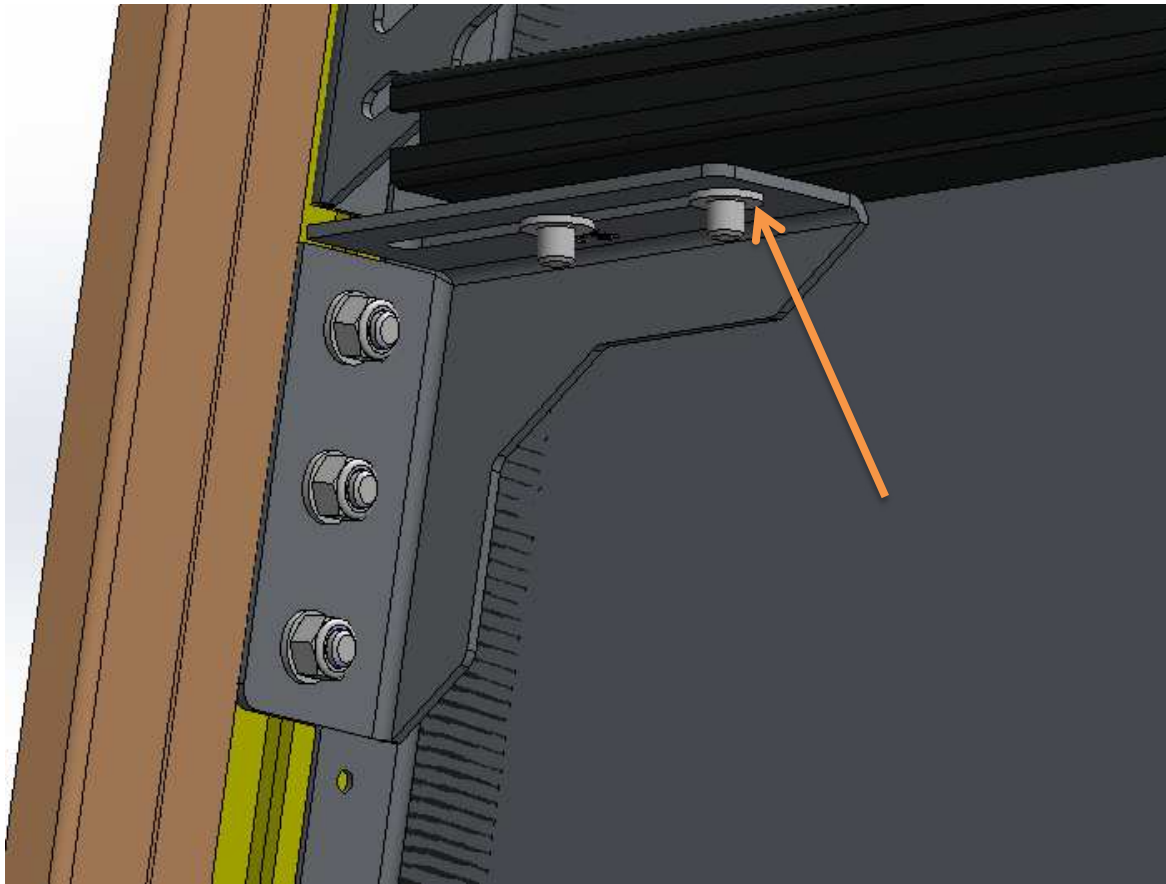




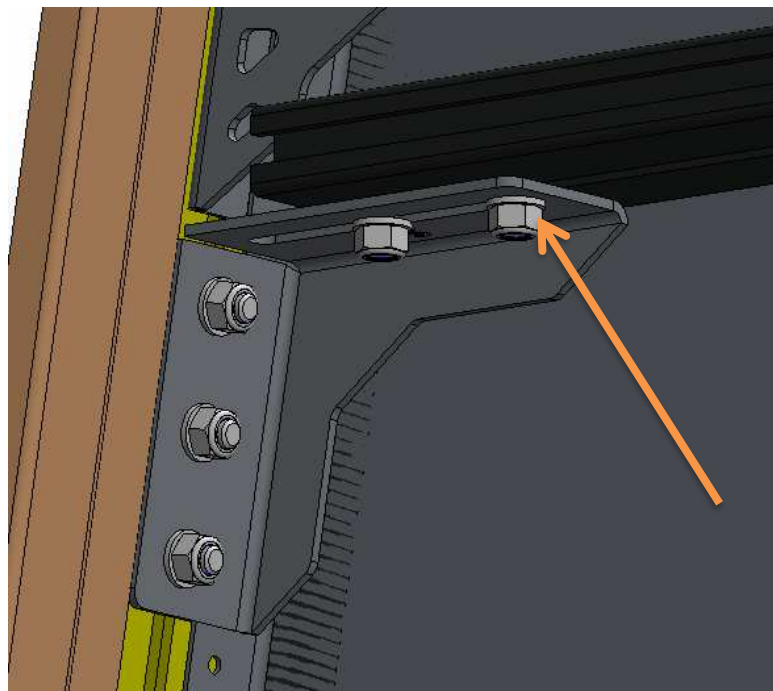
Now place the Load Bar on top of the Load Bar Brackets, with the M8 X 16 Hex Head Bolts going through the Load Bar Bracket Slot.



Place 2 X Flat Washers on the Load Bar M8 X 16 Hex Head Bolts.



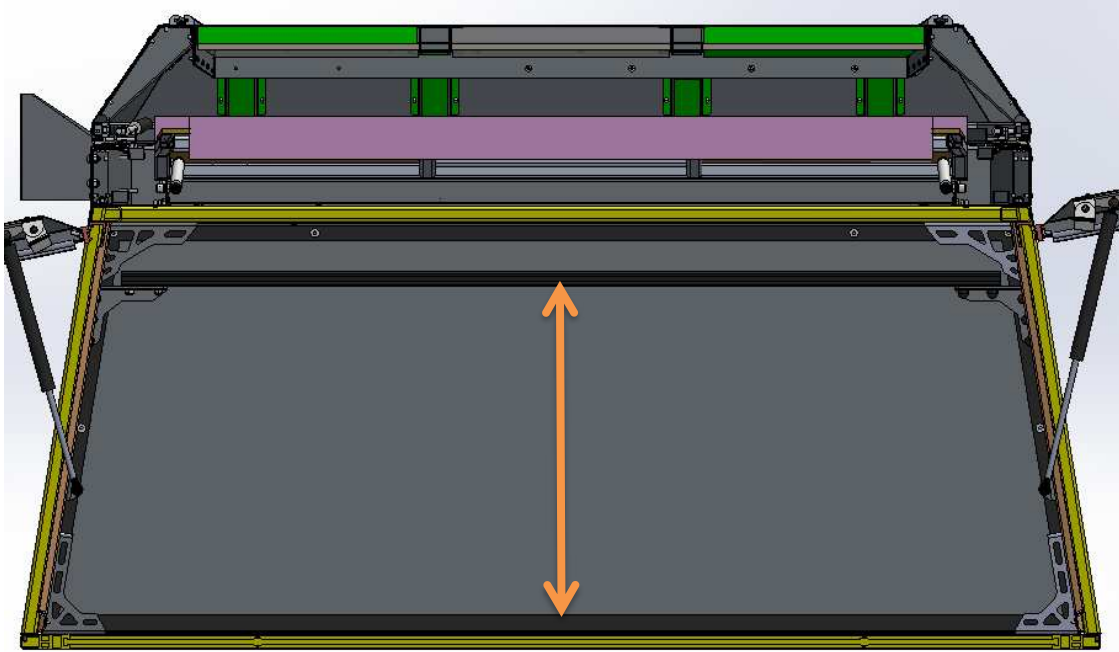
Place 2 X M8 Nyloc Nuts onto the Load Bar M8 X 16 Hex Head Bolts, only finger tight to secure the assembly.



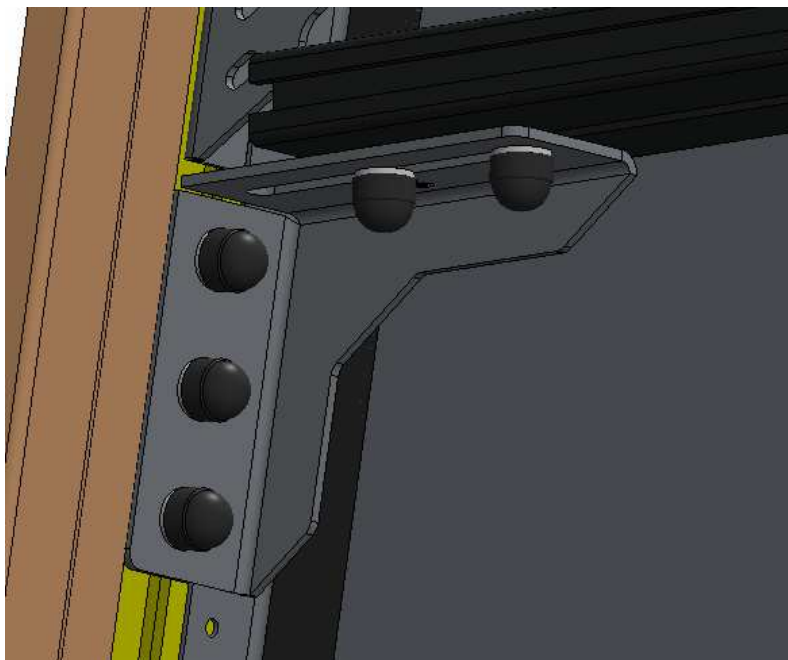
Repeat these steps for the opposite of the Load Bar

### 3.1. Secure the Load Bar in Place

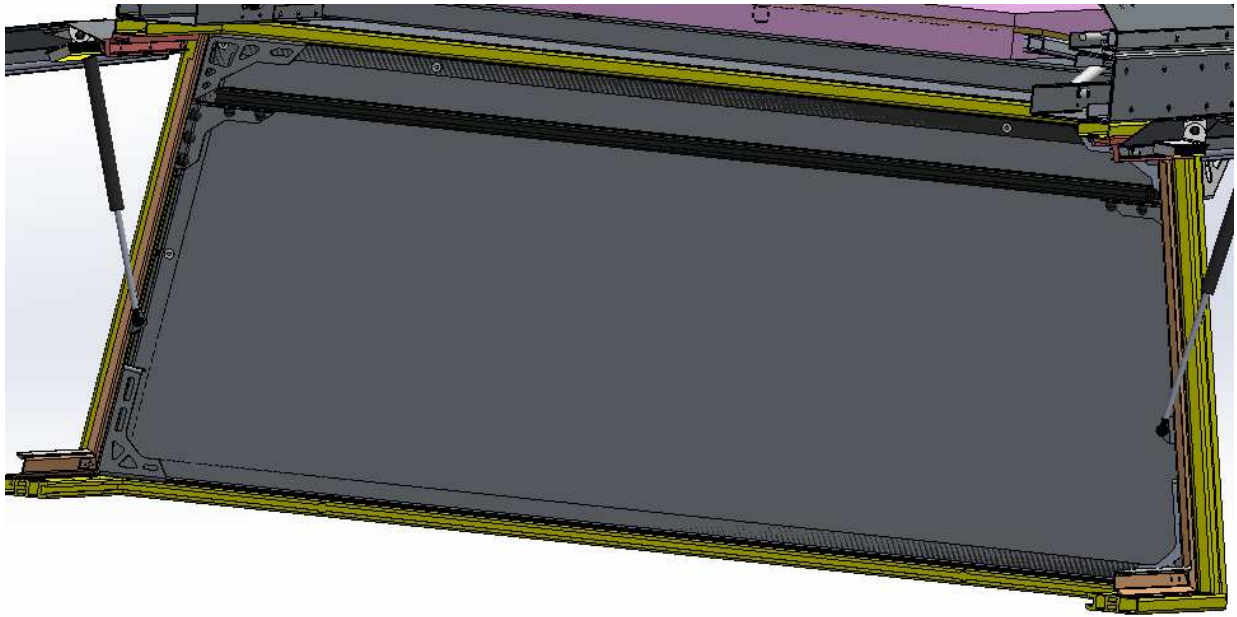
The next step is to set the correct height for the Load Bar to fit the Water Tank Kit to, and fasten it in place. With your Measuring tape, position the Load Bar approximately  $\pm 580\text{mm}$  from the top of the bottom frame of the canopy camper. This should provide the ideal position to mount your Water Tank Kit to.



Now we can fully tighten the Nuts to secure the Load Bar Brackets to the Canopy Camper, and the Load Bar to the Load Bar Brackets. Place M8 Nut Caps over each exposed M8 Nut.



This is how your setup should look:



Once this install is complete, you can now install your Water Tank Kit into your Full Size Canopy Camper, using this Load Bar as the Top Mounting Point as shown in the Water Tank Fitment Instruction. Refer to the Water Tank Fitment Instruction to fit your Water Tank.

