

FITMENT INSTRUCTIONS

Alu-Cab™



Nissan Navara 2021 Double Cab Canopy

All rights reserved. No part of this document may be reproduced, translated, stored in a retrieval system, or transmitted, in any form or by any means, electronic, mechanical, photocopying, recording or otherwise, without prior written permission of the owner.

Review all instructions information carefully before installation.

Any damages, direct or incidental to the installer and/or property due to incorrect installation of any parts are the responsibility of the installer. Due to the various applications and fitment options available, the responsibility lies with the user to ensure all mounting points are secure and tight before every trip. If unsure, consult with your Distributor regarding the operations of our products.

Users are advised to be mindful of the load they are carrying and drive in accordance with road conditions.

DISCLAIMER

Alu-Cab

1. Canopy Fitment – Tools, Fasteners & Materials

The tables below show the equipment, i.e. tools and fasteners required to start the canopy fitment for a Nissan Navara 2021.

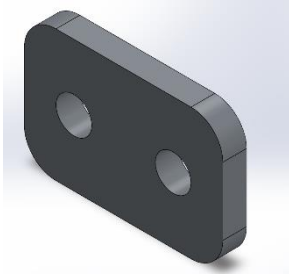
1.1. Tools & Item Required:

<u>TOOLS</u>	<u>ITEM</u>
Ratchet	Turpentine
Allen key	Cloth
13mm Socket	Black sealant, silicone or Sikaflex
13mm Ring Flat Spanner	Window Cleaner

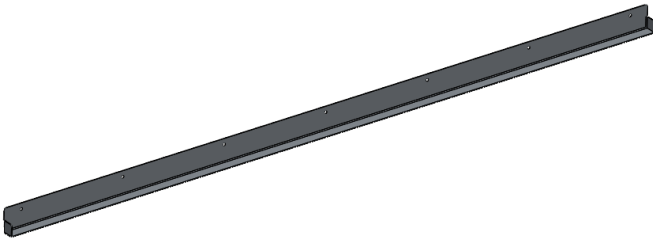
1.2. Hardware supplied: (Included with canopy)

ITEM NO.	PART NUMBER	DESCRIPTION	QTY
1	NV21-M-BKT-CHAN-BRKT-01	CHANNEL BRACKET	4
2	AC001-CAN-MNT-BRKT-01	CANOPY MOUNTING BRACKET	4
3	AC001-STD-SHIM-01	STANDARD SHIM 01	32
4	HEX-M8x20	M8x20 HEX BOLT S/S	16
5	FW-M8	M8x16mm FLAT WASHER S/S - DIN 125	48
6	NY-M8	M8 NYLOC NUT S/S	20
7	NCAP-M8	NUT CAP-08mm	40
8	HEX-M8x30	M8x30 HEX BOLT S/S	12
9	162-NP300-21-UNITRX-MNT-BRKT-01	NP300 UNITRAX SPACER	4
10	NP300-SPACER-PLT-01	SPACER PLATE	4
11	NP300-NUT-PLT-01	NUT PLATE	4
12	SW-M8	M8 SPRING WASHER S/S	16
13	BHD-M8x20	M8x20 B/HD BOLT S/S	16
14	FFW-M8	M8x20mm OVERSIZED WASHER S/S - DIN 9021	8
15	NV21-M-BKT-FRNT-FIL-BRKT-01	FRONT FILLER SEAL	1
16	SPNG-RUB-325 - (1550mm)	SPONGE RUBBER - 3X25mm (10m p/roll)	1
17	BX-AC1	AC1 - BOX	1
18	BX-LB	LOAD BAR IN & OUT 83X55X850	1
19	RIV-4815AS-B	BLACK BLIND RIVET	7

<u>Image of Hardware</u>	<u>Item Number & Name</u>
	1 – Channel Bracket
	11 – Nut Plate
	2 – Canopy Mounting Bracket
	9 – NP300 Unitrax Spacer



10 – Spacer Plate



15 – Front Filler Seal

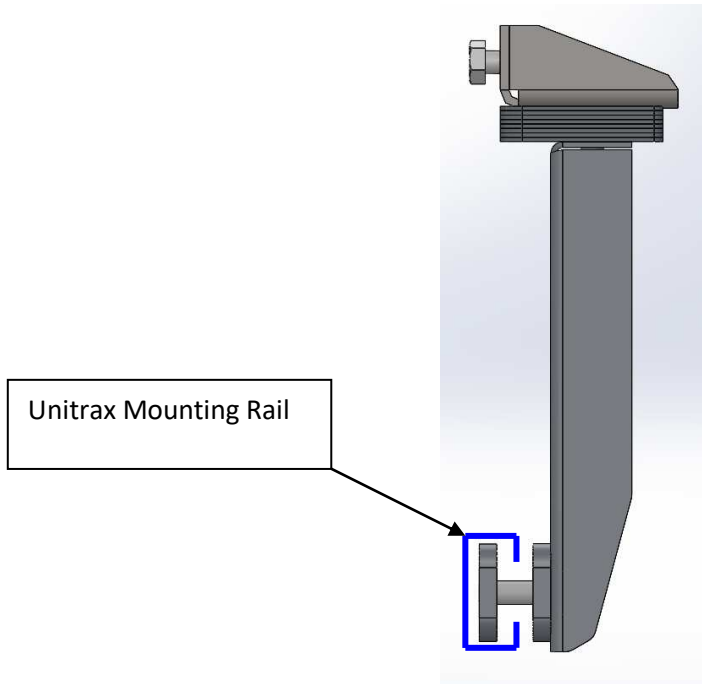
2. Mounting the canopy brackets to the load bin

The Navara canopy has six bracket kits (2 per side) which are fitted to the load bin.

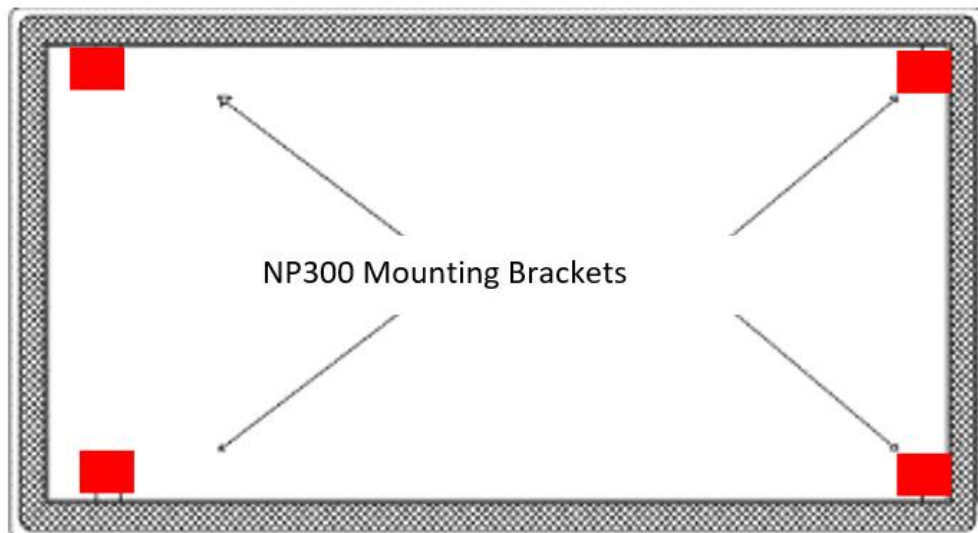
Important Note:

The Nissan Navara 2021 can come with or without the standard Unitrax Load Bar.

2.1. Mounting with a Unitrax Load Bar



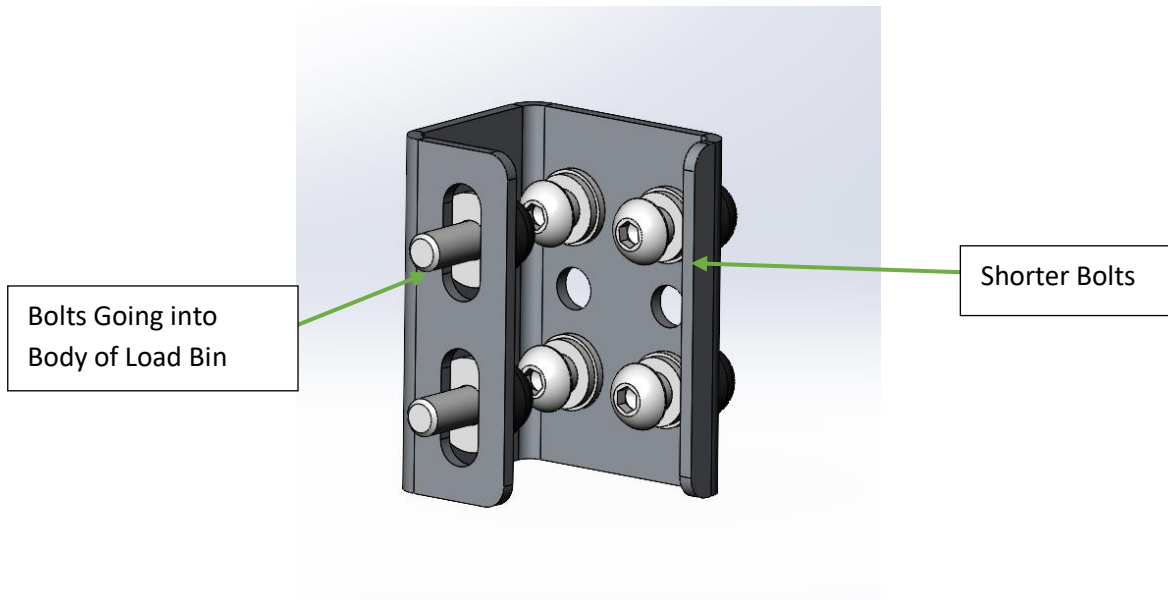
The installation of the mounting brackets with the Unitrax mounting rail is straight forward. Place the nut plate into the mounting rail and slide it to the desired location. The spacing should be roughly as indicated in the image below.



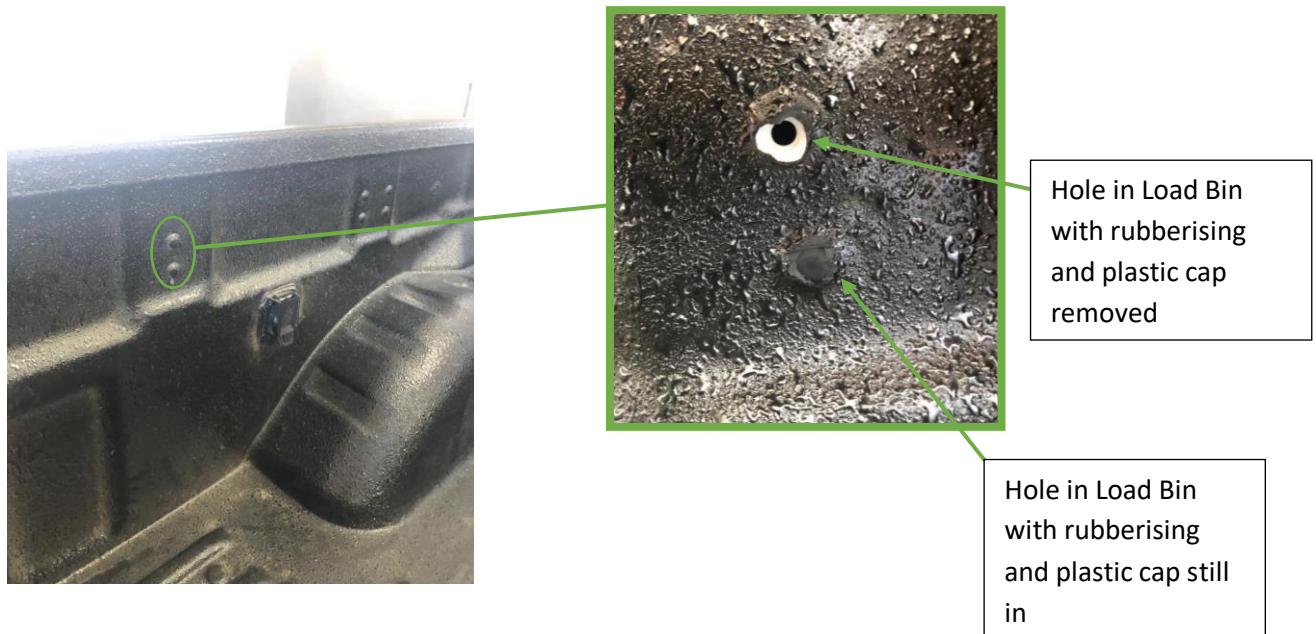
2.2. Mounting without a Unitrax Load Bar

The kit includes a set of six Unitrax spacer brackets should the model of vehicle not have a Unitrax mounting rail.

An important note for using the Unitrax spacer brackets is the inclusion of shorter bolts.



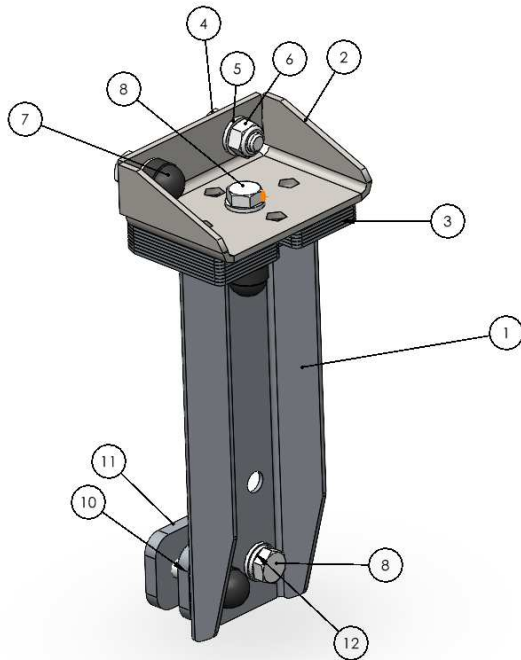
In some applications the customer may choose to rubber line the load bin, the rubber lining needs to be removed before brackets can be fastened to the load bin.



With the threaded holes exposed the Unitrax spacer brackets can be mounted to the load bin.

With the unitrax spacer brackets installed the mounting brackets can be installed normally.

2.3. Fastening Mounting Brackets Down.



Use the corresponding hardware indicated above to correctly fit the channel bracket to the load bin.

Note: All bolts are to be initially hand tight because there might be a need to adjust the brackets after the canopy is loaded on to the bin.

Positions of the bracket kits in the load bin

Figures 7 and 8 shows where the mounting brackets are fixed to the load bin.

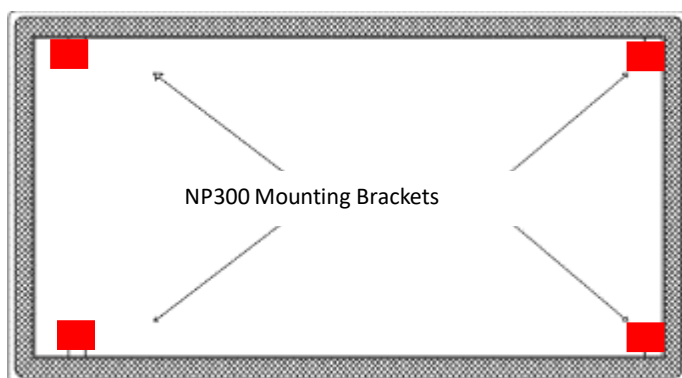


Fig 7: Top View of Load bin

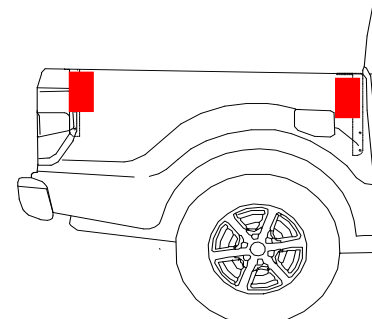


Fig 8: Side View of Load bin



WARNING

Always wear appropriate PPE (Personal protection equipment) when fitting this product. Although the mounting kit is designed to be DIY, if you have any doubts or concerns, contact an accredited fitment centre to carry out the work. Alu-Cab will not be liable for any injury to persons, and/or damage to products and/or vehicles.

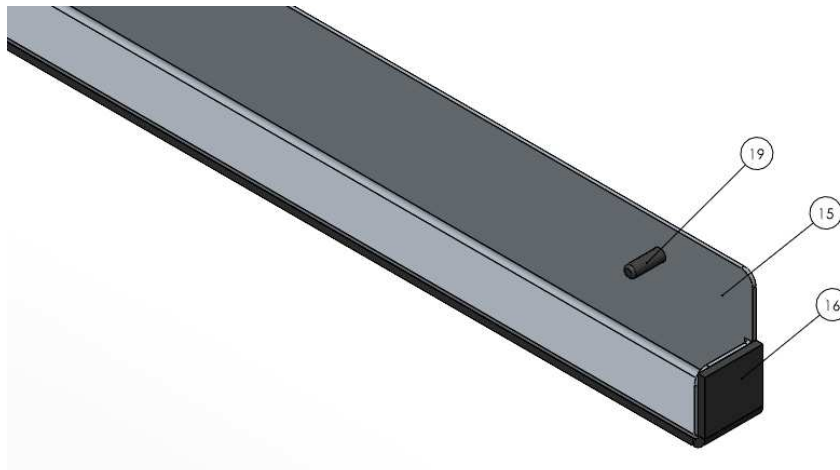
3. Canopy Installation

Before placing the canopy onto the load bin, check that the D-Rubber is intact on the canopy. If this is not done, the canopy and/or load bin could be damaged or can cause leaks into the canopy.

3.1. Installation of Front Filler Seal

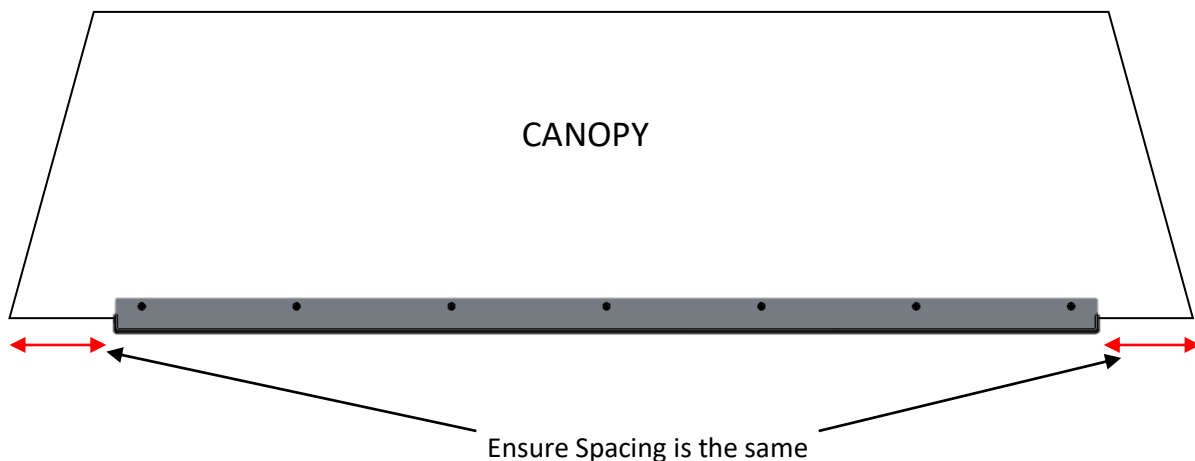
The 2021 Navara has a slight drop to the front of the load bin, to counteract this a front filler seal bracket has been included.

The bracket needs to be fastened to the canopy before the canopy is mounted to the load bin. Image below shows the different item numbers, item 19 indicates the rivets that are included with the canopy. Item 15 is the bracket and item 16 is the foam rubber that is already affixed to the bracket.



To fit the front seal bracket to the canopy lay the canopy on a table or a similar structure where the front lip of the canopy hangs slightly over the edge, allowing access to the entire front frame.

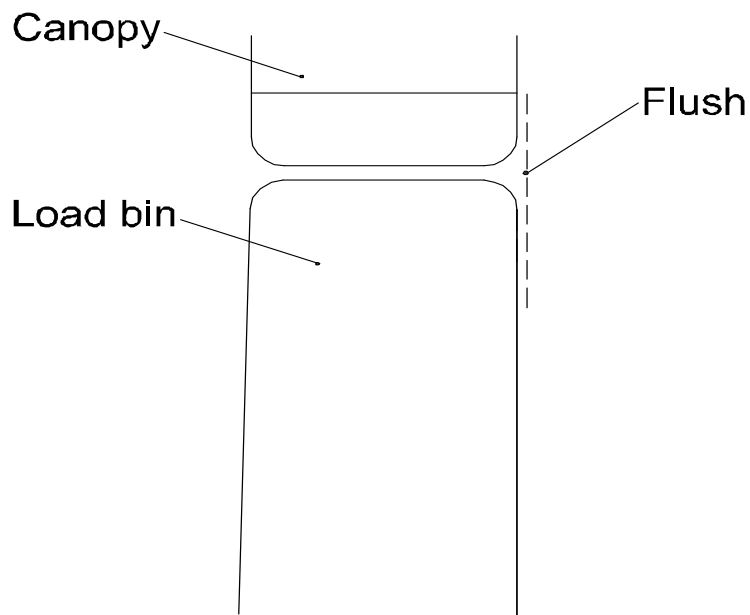
With the canopy securely positioned dry fit the front seal bracket. Mark out where the bracket sits and ensure the spacing on either side of the bracket is the same, this will ensure the bracket is centred.



With the bracket centred push the bottom of the bracket up so that the lip sits flush with the bottom of the canopy. The bracket is now in the correct position, drill the rivet holes, use a Ø5mm drill. Once the holes have been drilled fasten the front seal bracket down with the rivets supplied. The canopy is now ready to be fitted.

3.2. Canopy Fitment to Load bin

To position the canopy, ensure that it is flush with the load bin on the inside.



Keep all the doors of the canopy open besides the rear door when placing it onto the load bin. Check alignment before bolting down.

With the canopy in the correct position fasten all the bolts on the mounting brackets down fully.

The last step is to seal the front seal bracket with Sikaflex or Silicone. The corners need to be properly filled to ensure there is no point of water ingress.

4. Congratulations

The canopy has been successfully installed!