

# FITMENT INSTRUCTIONS

**Alu-Cab**<sup>™</sup>



## TENT BACK REST

Tools & Items Required:

TOOLS
13mm Ring Spanner
#5 Allen key/Socket
#4 Allen Key/Socket
#10 Allen Key/Socket

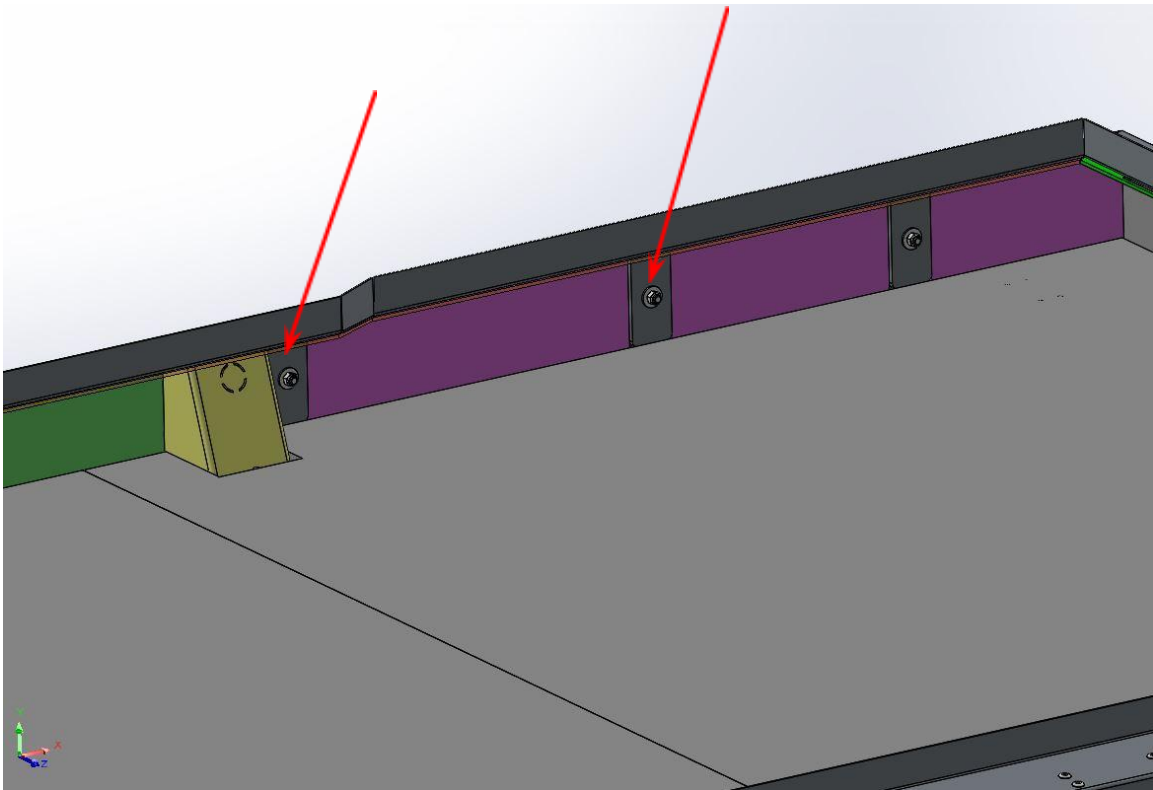
COMPONENTS SUPPLIED
2 X RT-B-P003
4 X M6x25 BUTTON HEAD BOLTS SS
4 X FFW M6 WASHERS
1 X MAIN ASSY BACKREST



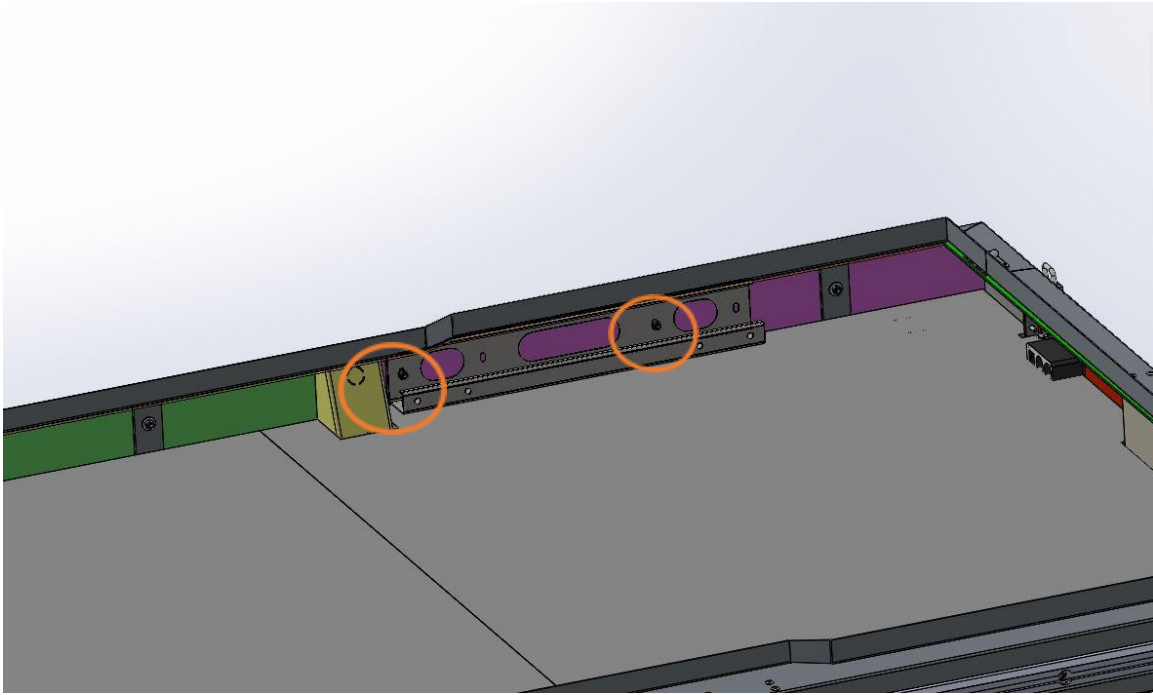
### WARNING

Always wear appropriate PPE ( Personal protection equipment) when fitting this product. Although the mounting kit is designed to be DIY, if you have any doubts or concerns, contact an accredited fitment centre to carry out the work. Alu-Cab will not be liable for any injury to persons, and/or damage to products and/or vehicles.

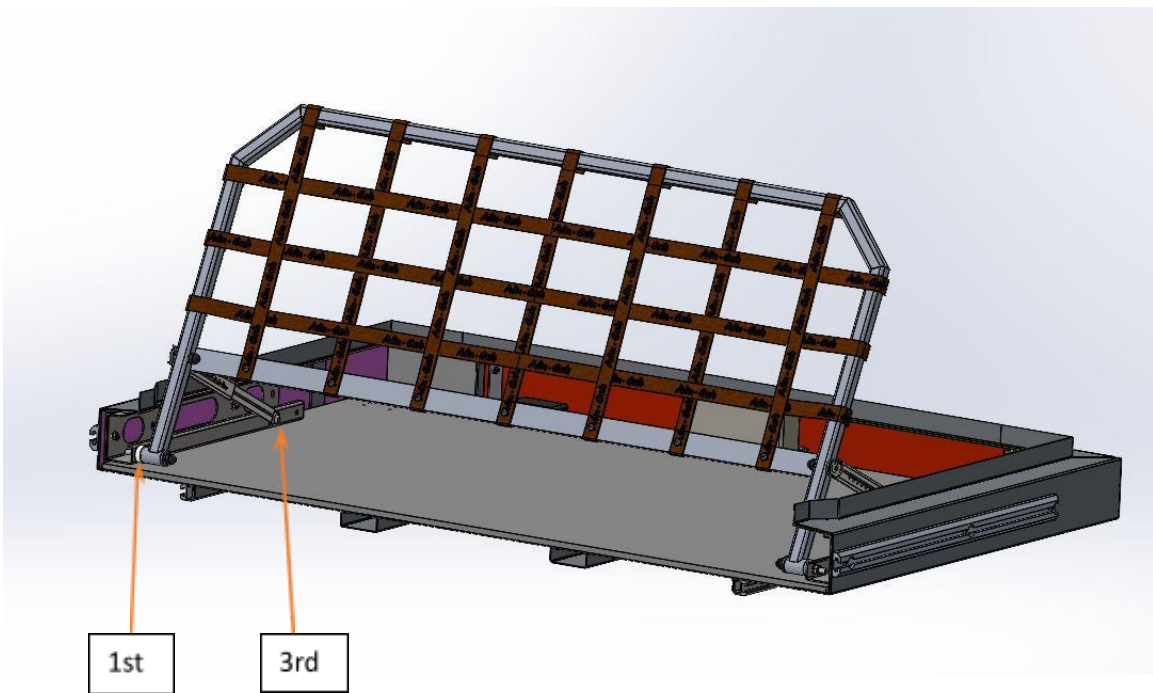
Remove the indicated nuts and washers on both sides of the tent. NB: If the bolts are too short, we have supplied longer bolts to replace the shorter ones.

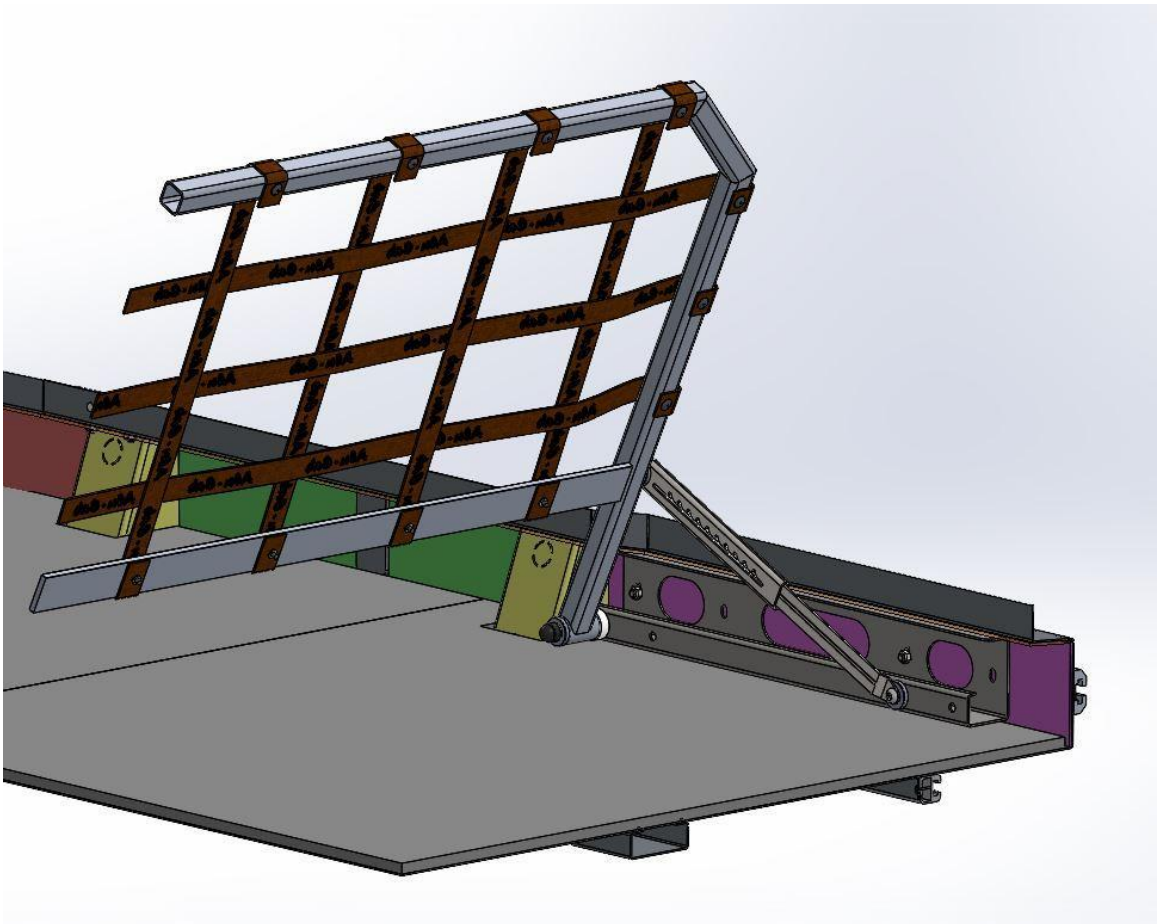
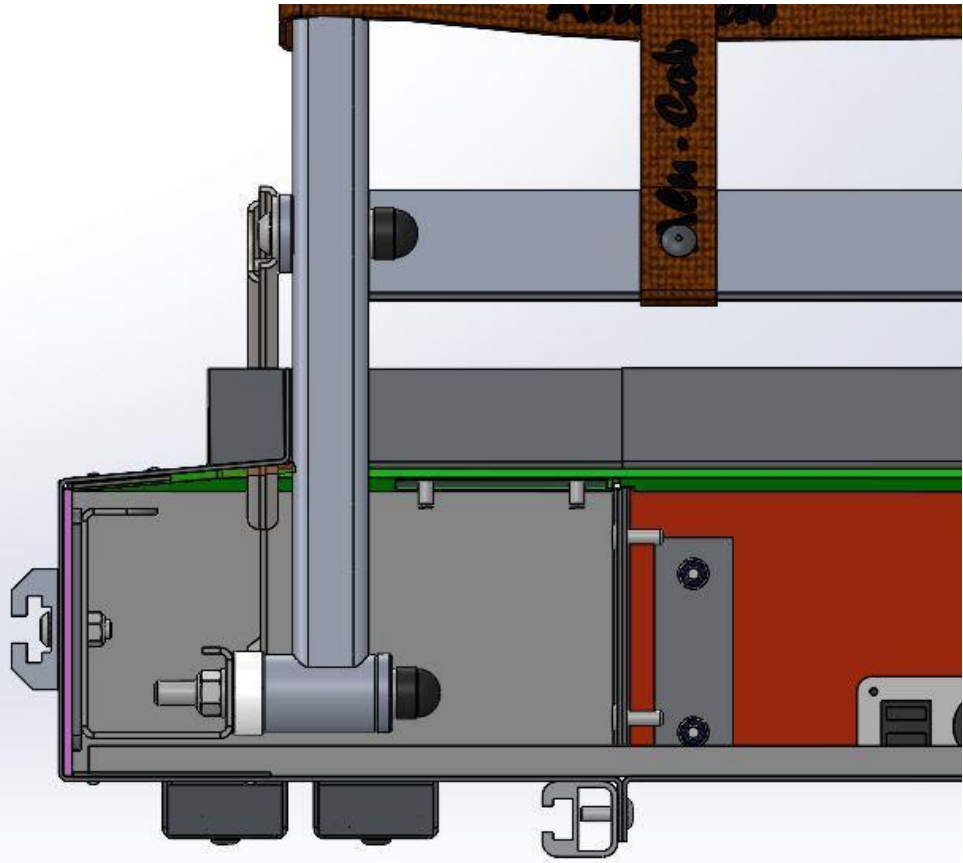


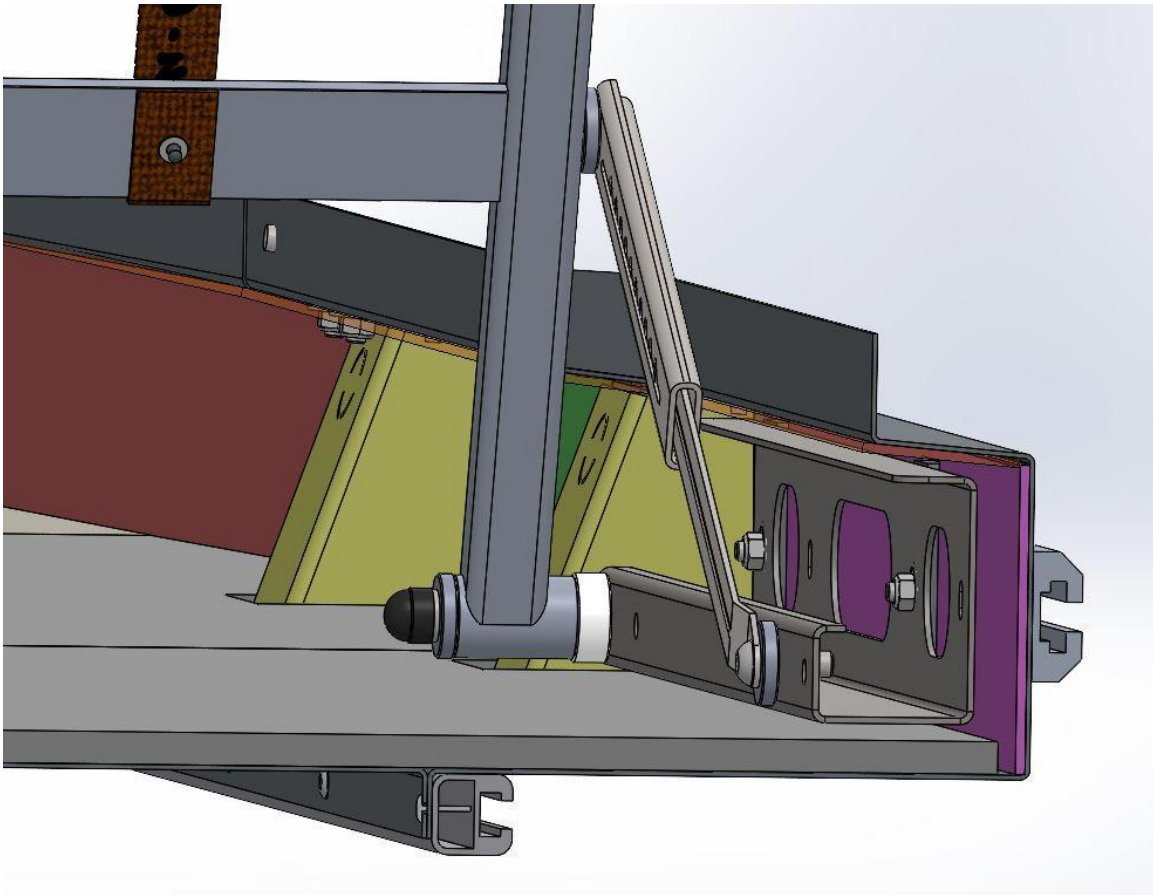
Position the mounting brackets and fasten the nuts that were removed.



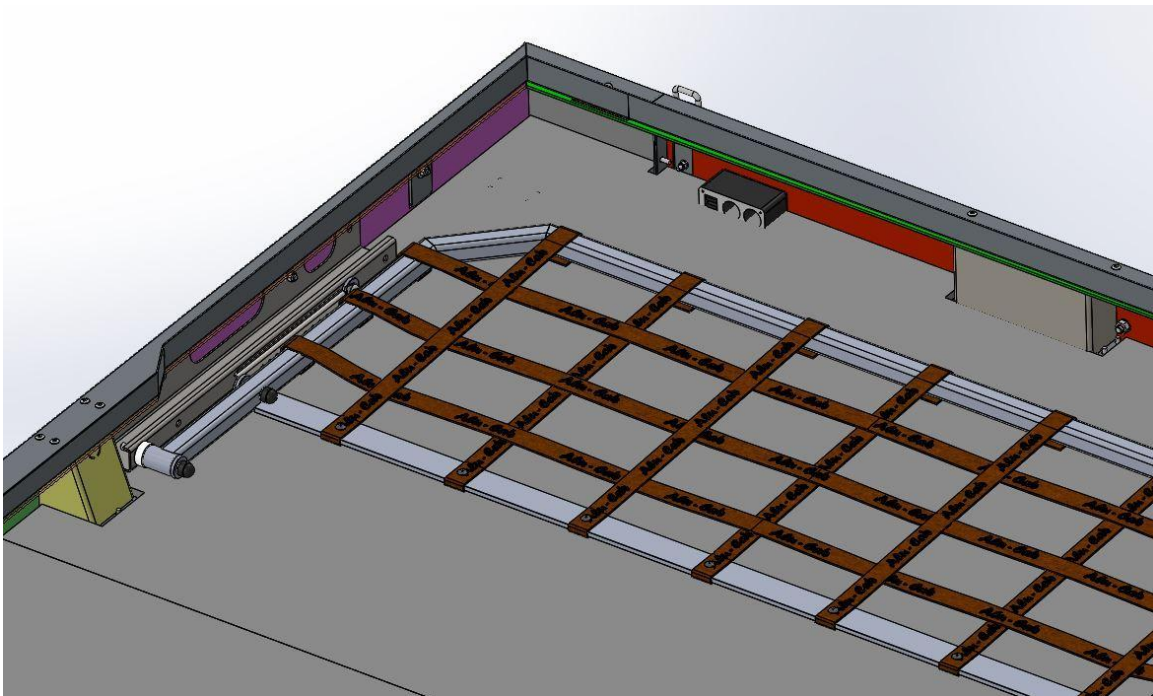
Fasten the Backrest to the 1<sup>st</sup> and 3<sup>rd</sup> mounting holes on each of the brackets. See images below:

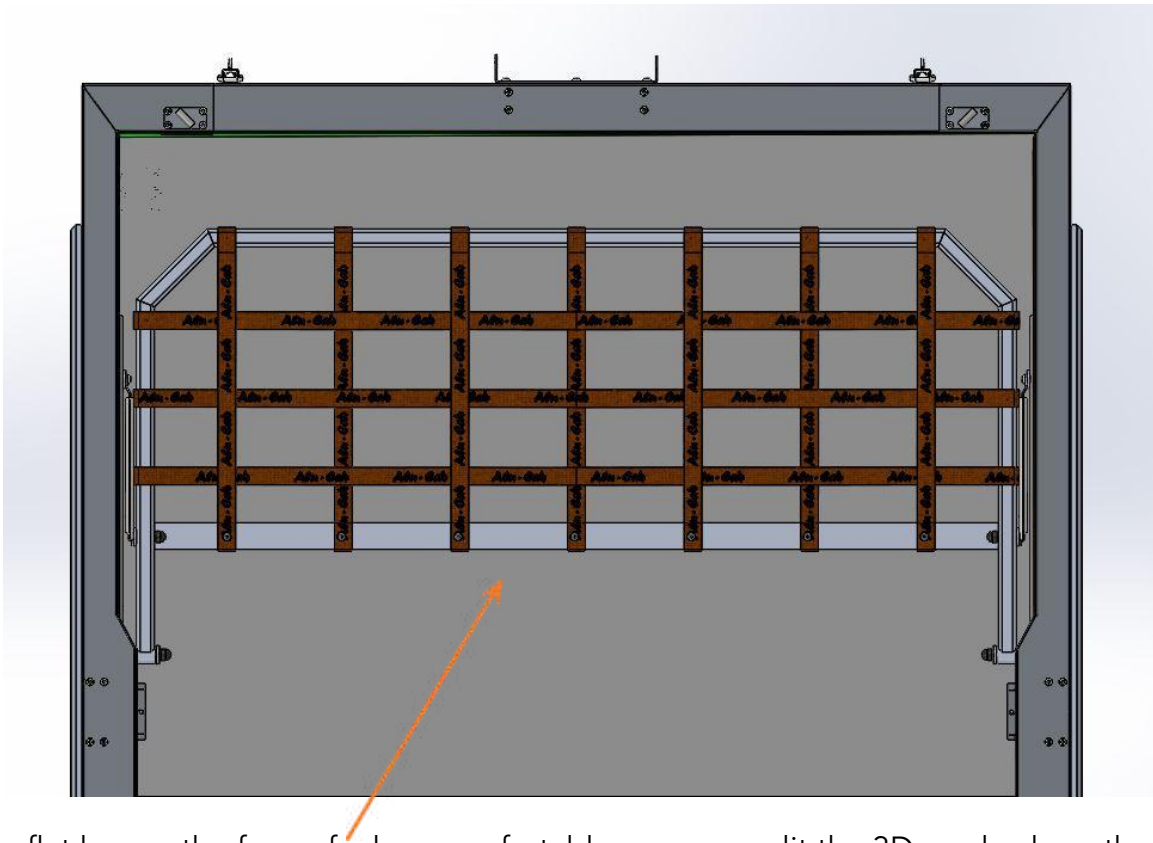






Once fastened, the end result should look like the images below:





NB: If the flat bar on the frame feels uncomfortable, you can split the 3D mesh where the flat bar meets the base in a closed position to allow the flat bar to drop further.

