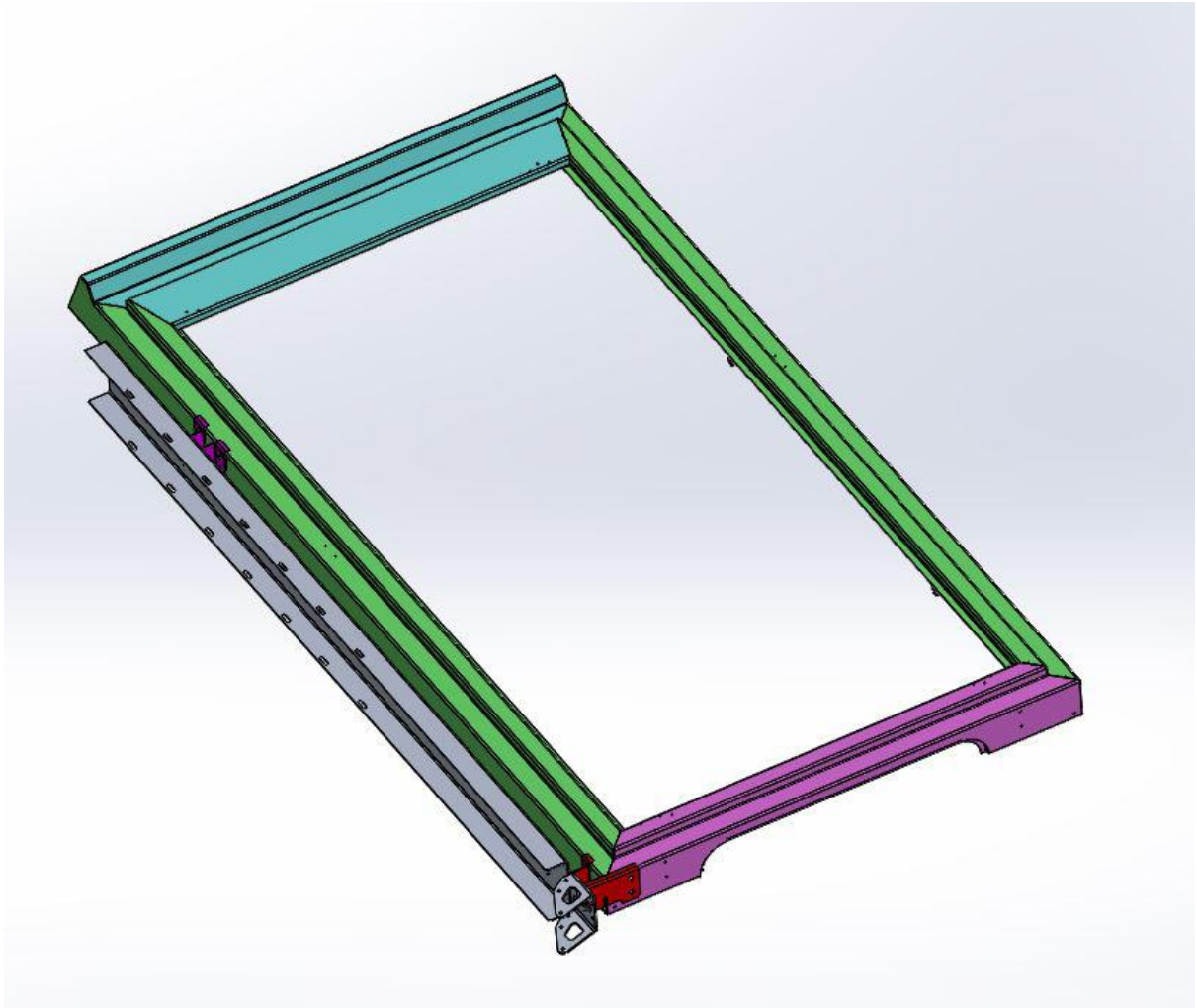


# FITMENT INSTRUCTIONS

**Alu-Cab™**



## **180° Awning to Icarus Roof Conversion**

All rights reserved. No part of this document may be reproduced, translated, stored in a retrieval system, or transmitted, in any form or by any means, electronic, mechanical, photocopying, recording or otherwise, without prior written permission of the owner.

Review all instructions information carefully before installation.

Any damages, direct or incidental to the installer and/or property due to incorrect installation of any parts are the responsibility of the installer. Due to the various applications and fitment options available, the responsibility lies with the user to ensure all mounting points are secure and tight before every trip. If unsure, consult with your Distributor regarding the operations of our products.

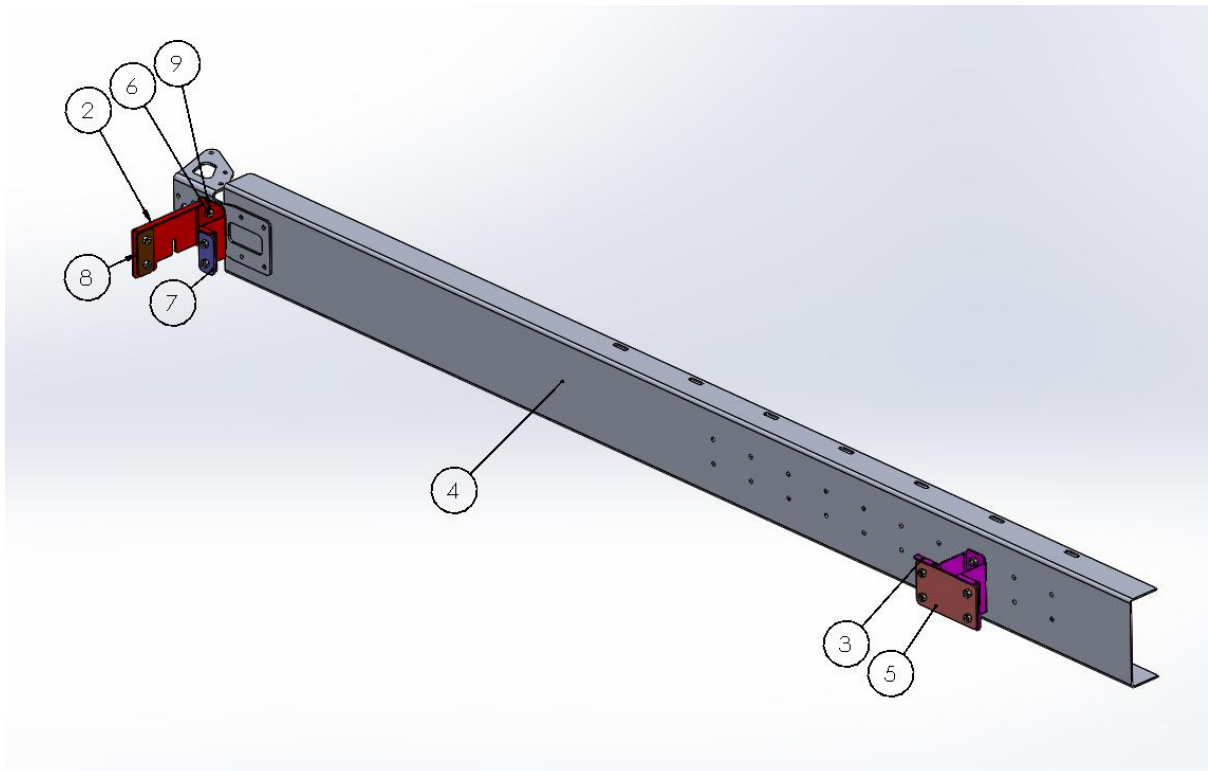
Users are advised to be mindful of the load they are carrying and drive in accordance with road conditions.

**DISCLAIMER**

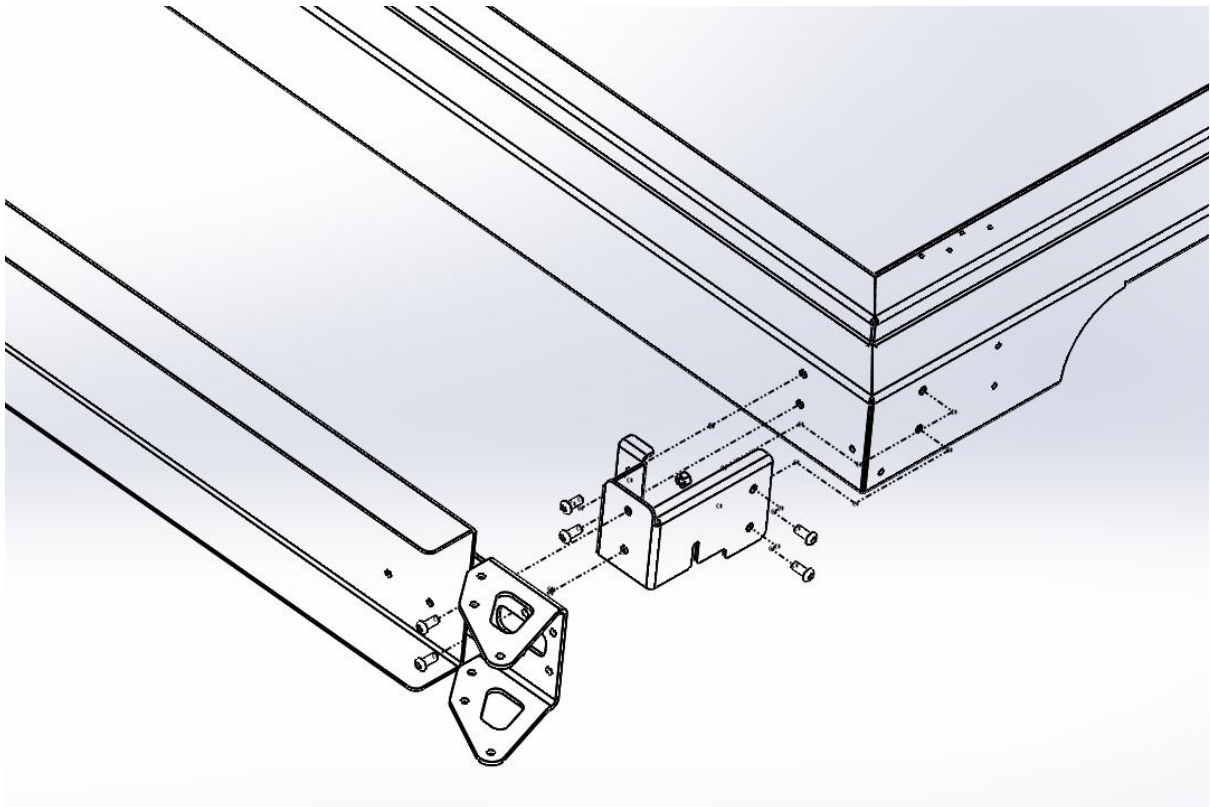
**Alu-Cab**

## LIST OF COMPONENTS:

| ITEM NO: | PART NUMBER       | DESCRIPTION        | QTY |
|----------|-------------------|--------------------|-----|
| 1        | WAB-0000-10-00001 | LR ROOF BASE FRAME | 1   |
| 2        | LR-AW-000-001     | AWNING BRACKET 1   | 1   |
| 3        | LR-AW-000-002     | AWNING BRACKET 2   | 1   |
| 4        | LR-AW-000-003     | STIFFENER PLATE    | 1   |
| 5        | LR-AW-000-004     | STIFFENER PLATE    | 1   |
| 6        | LR-AW-000-005     | STIFFENER PLATE    | 1   |
| 7        | M8x20 BH SCREW    | M8x20 BH SCREW     | 8   |
| 8        | M8x20 HEX BOLT    | M8x20 HEX BOLT     | 4   |
| 9        | M8 NYLOCK NUTS    | M8 NYLOCK NUTS     | 12  |
| 10       | M8 WASHERS        | M8 WASHERS         | 24  |



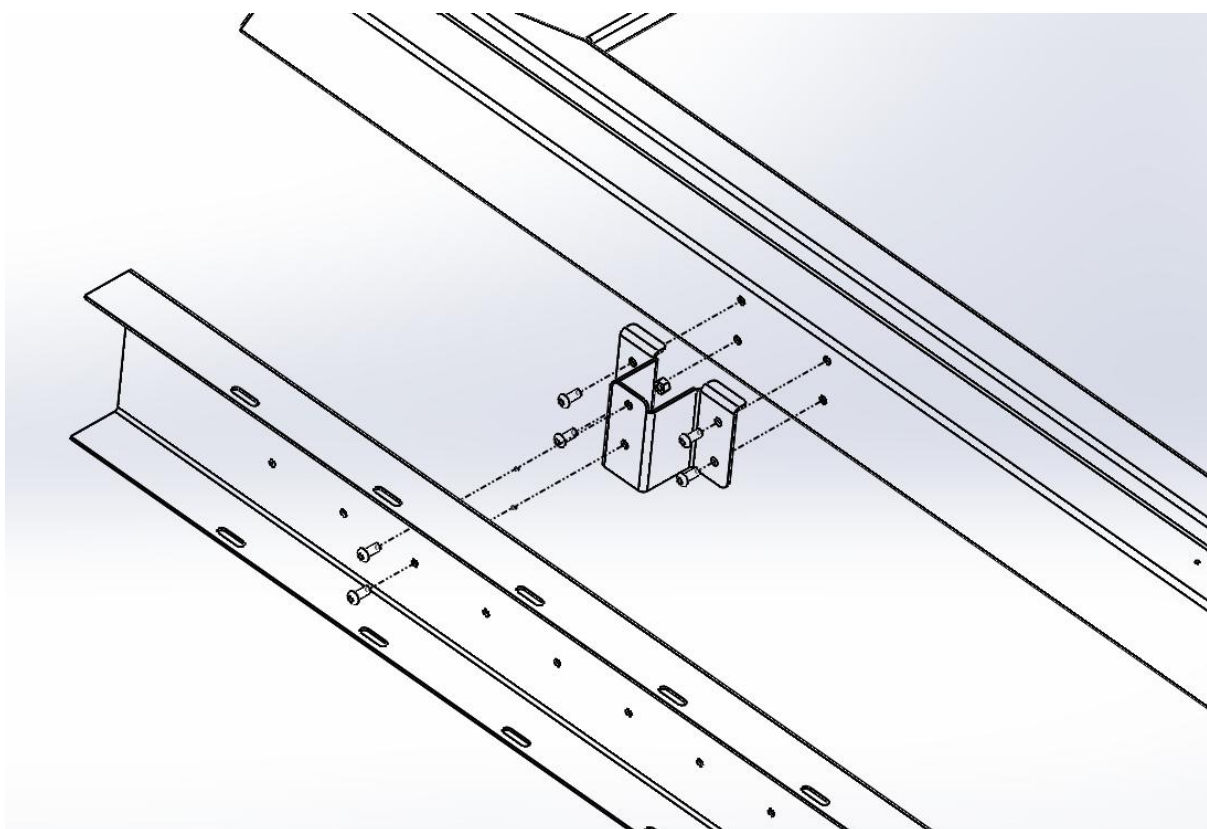
## 1. AWNING BRACKET 1 FITMENT POSITION.



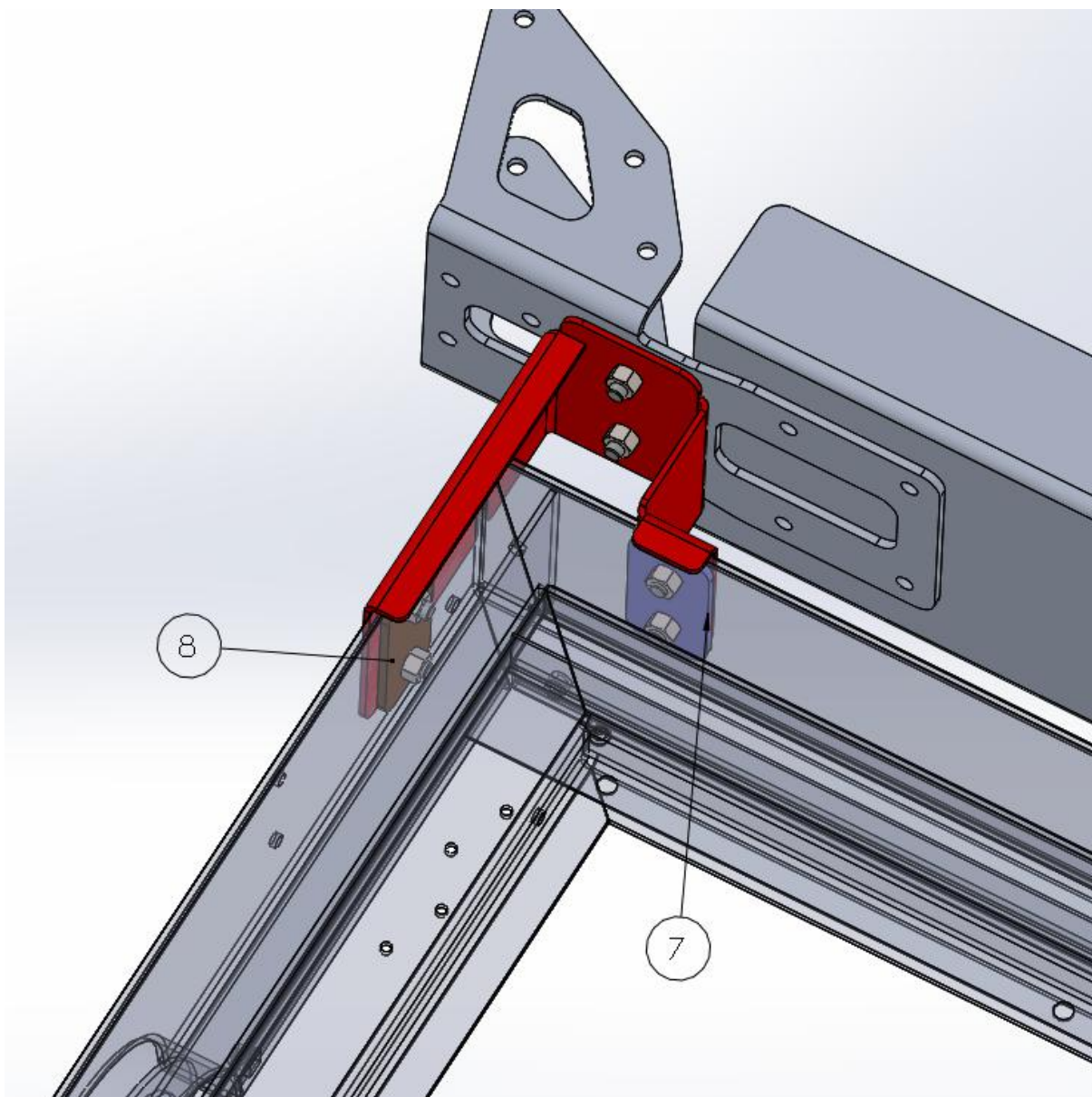
### **WARNING**

Always wear appropriate PPE ( Personal protection equipment) when fitting this product. Although the mounting kit is designed to be DIY, if you have any doubts or concerns, contact an accredited fitment centre to carry out the work. Alu-Cab will not be liable for any injury to persons, and/or damage to products and/or vehicles.

## 2. AWNING BRACKET 2 FITMENT POSITION.



**3. BACKING STIFFENER PLATES (ITEM'S 7 & 8 IN POSITION).**





4. BACKING STIFFENER PLATE (ITEM 5) IN POSITION.

