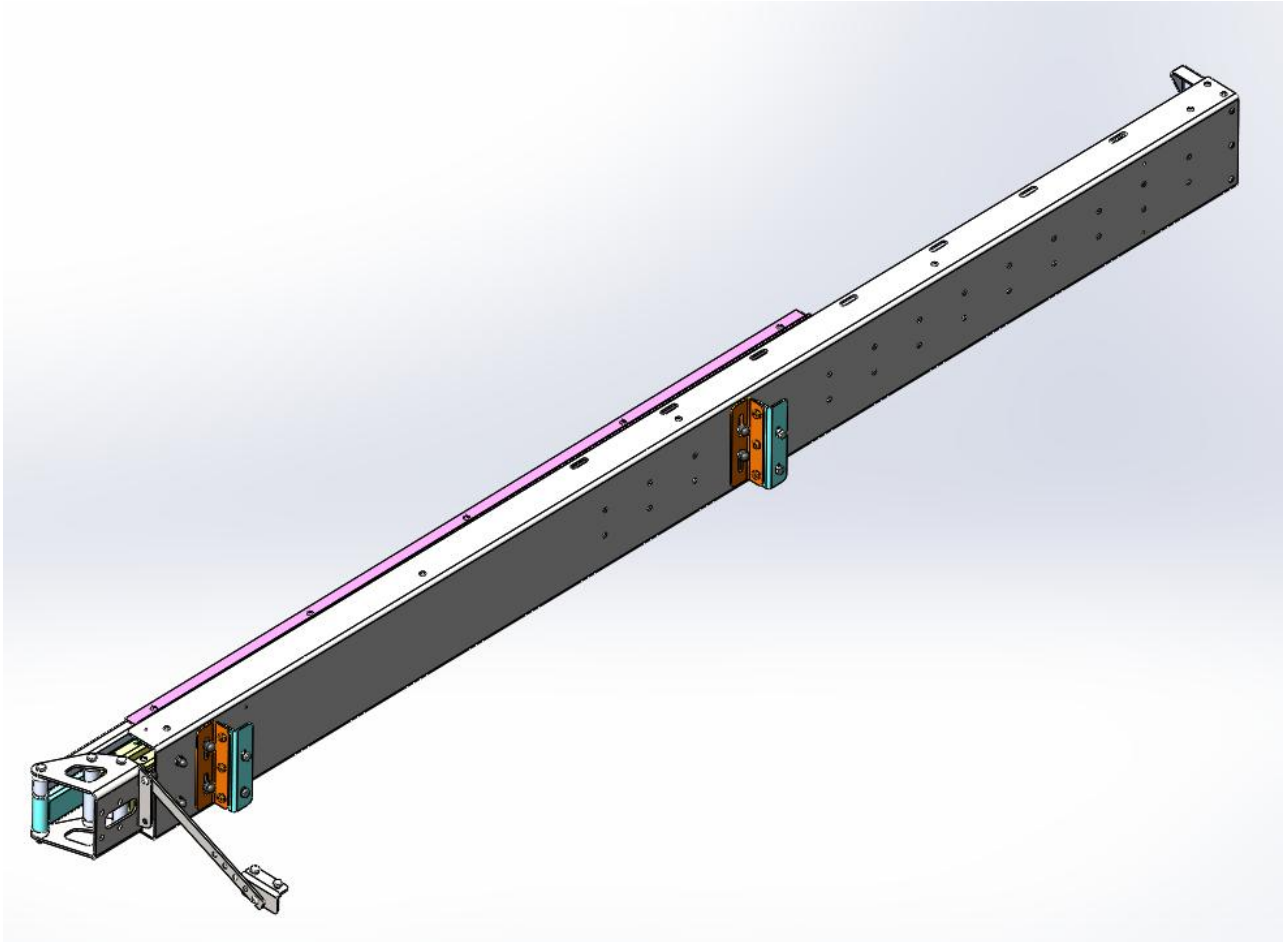


# FITMENT INSTRUCTIONS

**Alu-Cab™**



## Universal 180° Awning Mount

All rights reserved. No part of this document may be reproduced, translated, stored in a retrieval system, or transmitted, in any form or by any means, electronic, mechanical, photocopying, recording or otherwise, without prior written permission of the owner.

Review all instructions information carefully before installation.

Any damages, direct or incidental to the installer and/or property due to incorrect installation of any parts are the responsibility of the installer. Due to the various applications and fitment options available, the responsibility lies with the user to ensure all mounting points are secure and tight before every trip. If unsure, consult with your Distributor regarding the operations of our products.

Users are advised to be mindful of the load they are carrying and drive in accordance with road conditions.

DISCLAIMER

**Alu-Cab**

## 1. Universal Awning Mount – Tools, Fasteners & Materials

The tables below show the equipment, i.e. tools, fasteners, hardware and consumables required to start and finish the fitment of the universal awning mount.

### Hardware Supplied with Universal Awning mount kit:

<b>PART number</b>	<b>DESCRIPTION</b>	<b>QTY</b>
AW-1-001	AWNING MOUNTING BRACKET	2
AW-1-002	AWNING MOUNT ANGLE BRACKET	2
AW-1-B003	SUPPORT BRACKET	1
AW-1-B004	STAY ARM	1
MOUNTING BRACKET 01	MOUNTING BRACKET 01	1
M8x20 Button head	M8x20 Button head cap screw	8
M8x20 HEX BOLT	M8x20 HEX BOLT	6
M8 NYLOC NUT	M8 NYLOC NUT	20
M8 FLAT WASHER	M8 FLAT WASHER	20
M8 Plastic Nut Cap	M8 Plastic Nut Cap	20

### 1.1 Tools required to fit Universal Awning mount kit:

<b><u>TOOL</u></b>	<b><u>PURPOSE</u></b>
Allen Key	Fastening various bolts
13mm spanner	Spanner to tighten various bolts
13mm socket	Fastening various bolts
Ratchet	Fastening various bolts



#### **WARNING**

Always wear appropriate PPE ( Personal protection equipment) when fitting this product. Although the mounting kit is designed to be DIY, if you have any doubts or concerns, contact an accredited fitment centre to carry out the work. Alu-Cab will not be liable for any injury to persons, and/or damage to products and/or vehicles.

**Part Identification:**

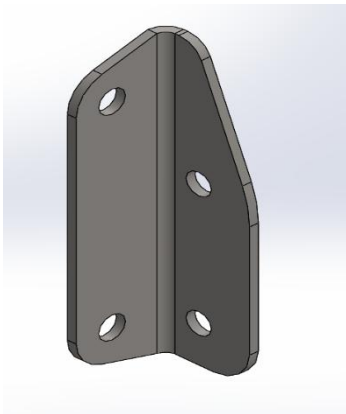


Figure 1: AW-1-B003

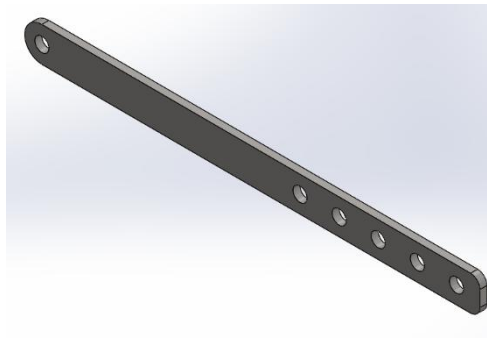


Figure 2: AW-1-B004

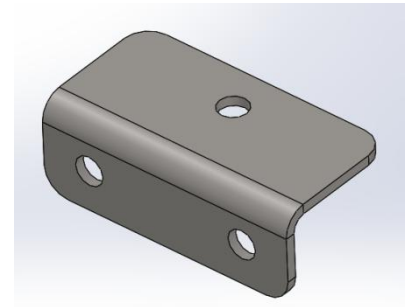


Figure 3: Mounting  
Bracket 01

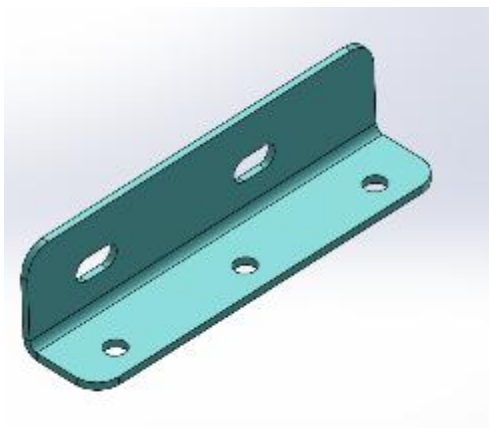


Figure 4: Bracket AW-1-001

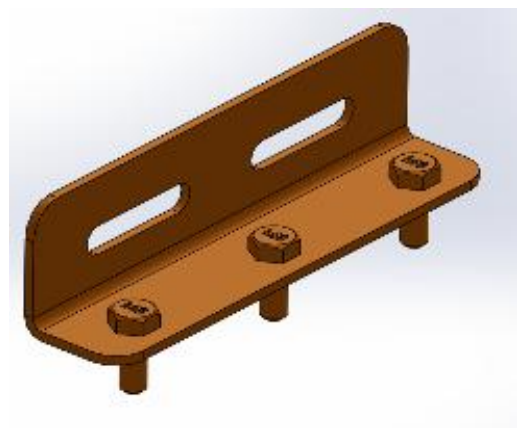


Figure 5: Bracket AW-1-002

**1. Fitting the Universal Awning mount kit:**

**Step 1: Assemble the 2 x AW-1-002 and 2 x AW-1-001 as shown below:**

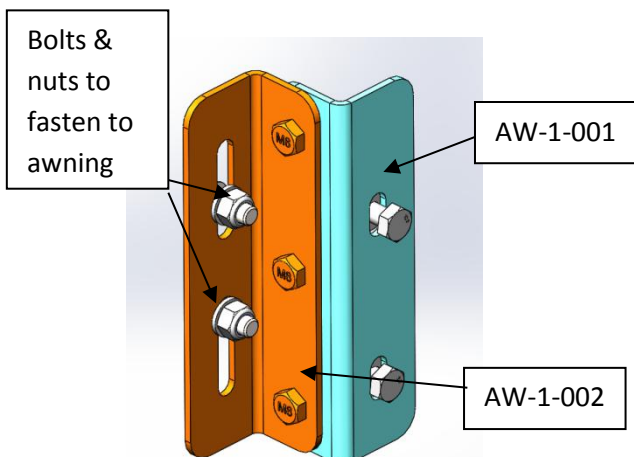


Figure 6: AW-1-002 and AW-1-001

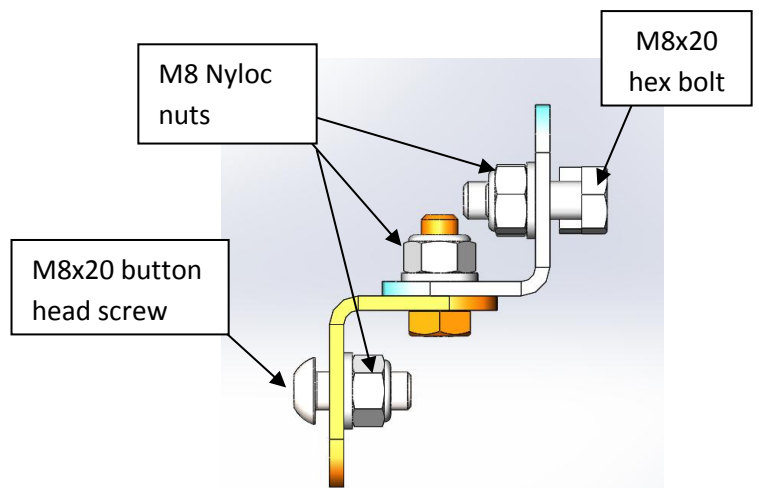


Figure 7: AW-1-002 and AW-1-001 Top

## **Step 2: Fit 2 x Assembled AW-1-002 & AW-1-001 and AW-1-B003 to awning**

The following holes on the awning (circled in red) should be used to fasten the bracket AW-1-B003 and one AW-1-002 bracket to awning.

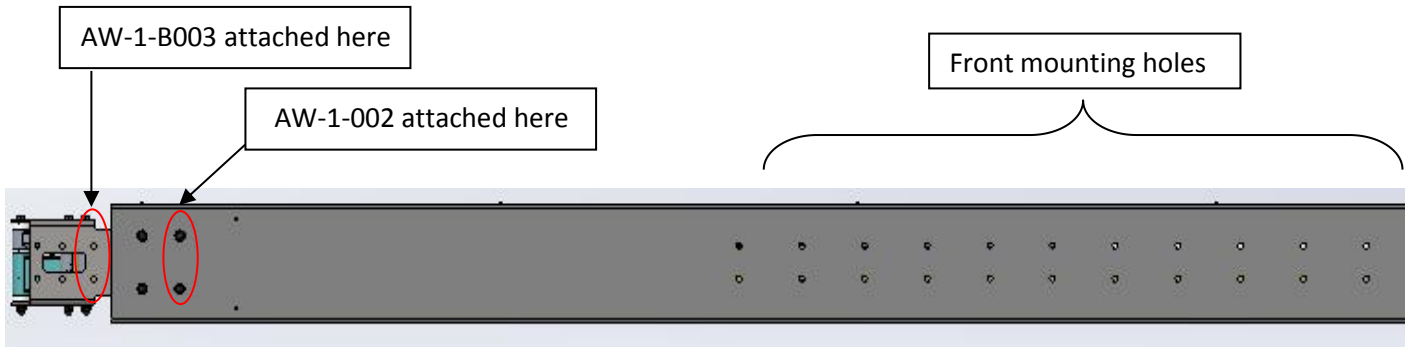


Figure 8: Rear View of Awning

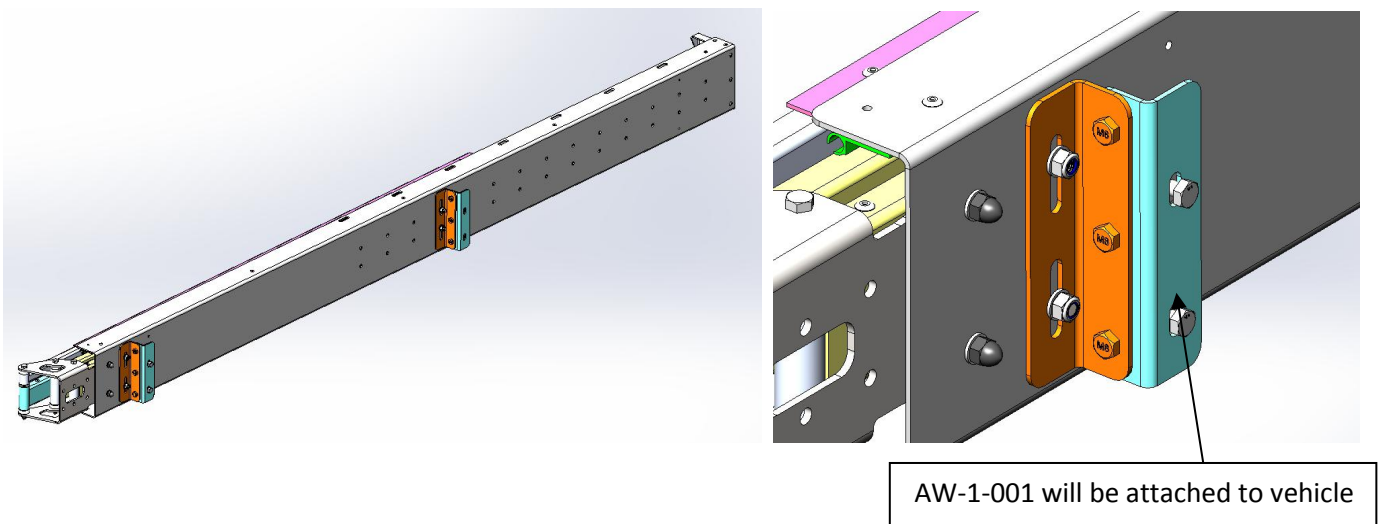
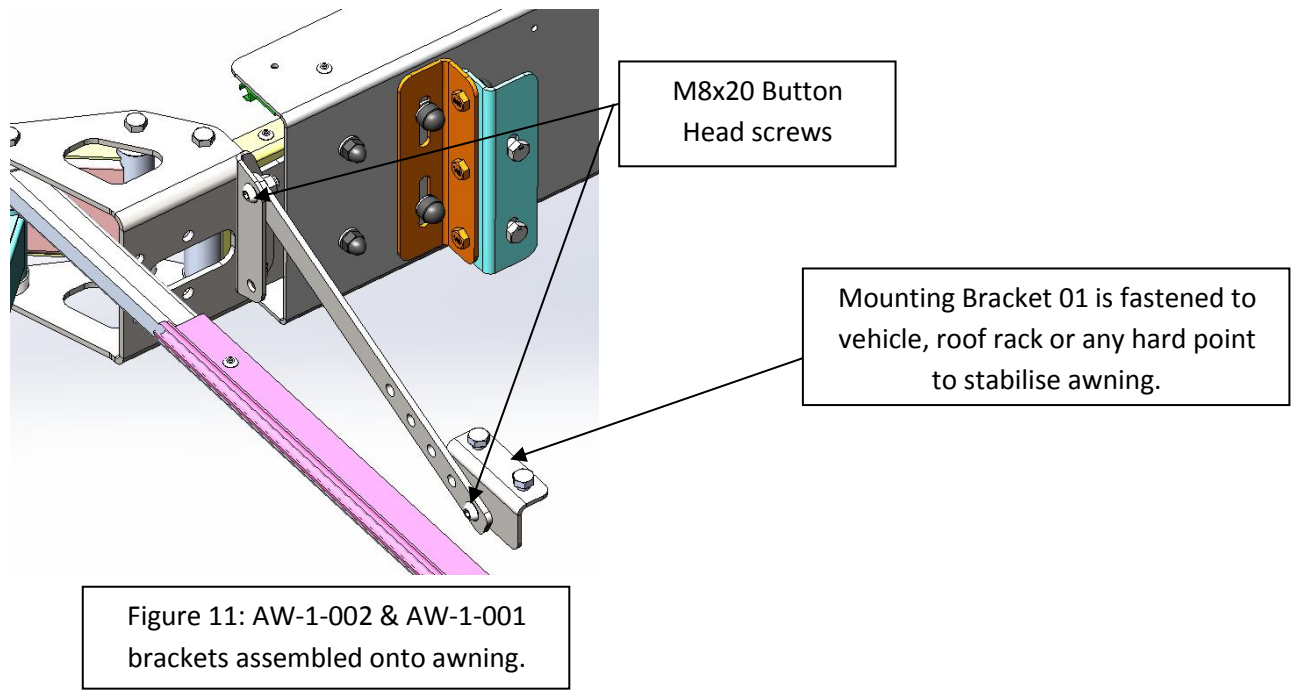
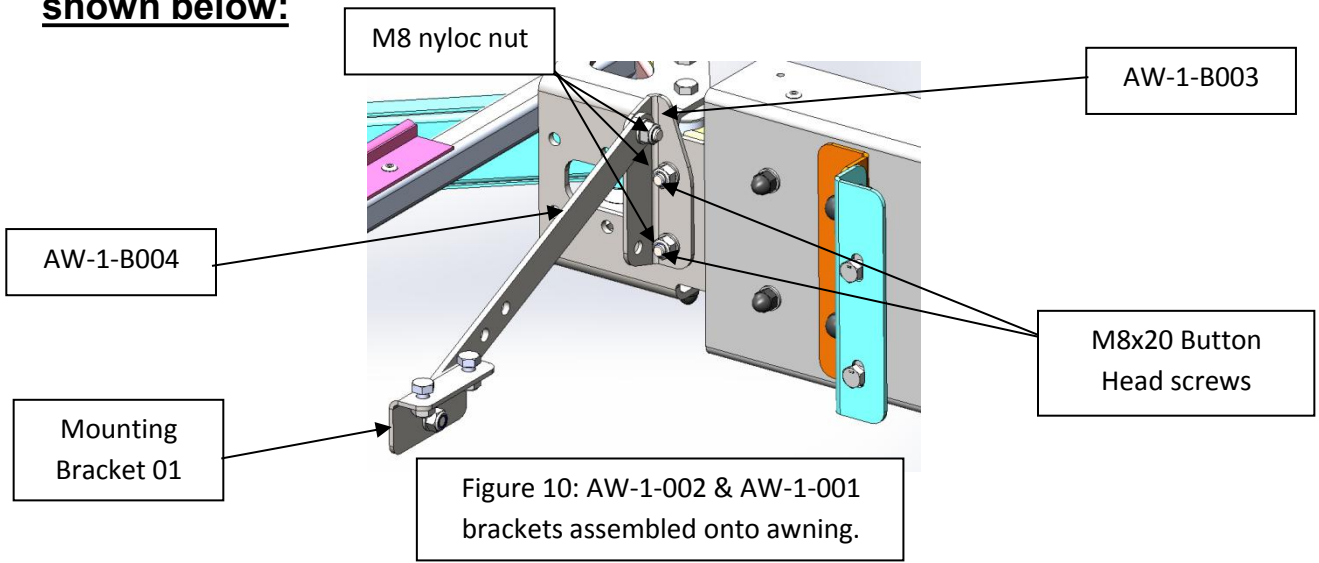


Figure 9: AW-1-002 & AW-1-001 brackets assembled onto awning.

The awning is now ready to be mounted onto the vehicle.

**Step 3: Fit AW-1-B003, AW-1-B004 and Mounting Bracket 01 as shown below:**



**Step 4: Fit plastic nut caps to all nyloc nuts as shown below:**

