

# FITMENT INSTRUCTIONS

**Alu-Cab**<sup>™</sup>



## Contour Canopy to suit Ford Ranger T6/T7 Fitment Instructions

All rights reserved. No part of this document may be reproduced, translated, stored in a retrieval system, or transmitted, in any form or by any means, electronic, mechanical, photocopying, recording or otherwise, without prior written permission of the owner.

Review all instructions information carefully before installation.

Any damages, direct or incidental to the installer and/or property due to incorrect installation of any parts are the responsibility of the installer. Due to the various applications and fitment options available, the responsibility lies with the user to ensure all mounting points are secure and tight before every trip. If unsure, consult with your Distributor regarding the operations of our products.

Users are advised to be mindful of the load they are carrying and drive in accordance with road conditions.

DISCLAIMER

**Alu-Cab**

## 1. Canopy Fitment – Tools, Fasteners & Materials

The tables below show the equipment, i.e. tools and fasteners required to start the canopy fitment for a Ford Ranger.

### 1.1. Tools Required:

| <u>TOOL</u>              |
|--------------------------|
| • Ratchet                |
| • T-40 Spline Socket     |
| • 13mm Socket            |
| • 13mm Ring Flat Spanner |

### 1.2. Fasteners required: (Included with canopy)

| <u>ITEM</u>           | <u>QUANTITY</u> |
|-----------------------|-----------------|
| • M8x30mm Hex Bolts   | 8 off           |
| • M8x20mm Hex Bolts   | 12 off          |
| • M8x25mm Hex Bolts   | 4 off           |
| • M8x40mm Hex Bolts   | 2 off           |
| • M8 Flat Washer      | 20 off          |
| • M8 Split Washer     | 12 off          |
| • M8 Nylock Nuts      | 18 off          |
| • M8 Plastic Nut Caps | 18 off          |

### 1.3. Hardware Required:

| <u>ITEM</u>                   | <u>PURPOSE</u> |
|-------------------------------|----------------|
| • Left Front Support Brackets | 1 off          |
| • Right Front Support Bracket | 1 off          |
| • Left Rear Support Bracket   | 1 off          |
| • Right Rear Support Bracket  | 1 off          |
| • Universal Bracket           | 4 off          |
| • Centre Mounting Bracket     | 2 off          |

### 1.4. Consumables Required:

| <u>ITEM</u>                           |
|---------------------------------------|
| • Turpentine                          |
| • Cloth                               |
| • Black sealant, silicone or Sikaflex |
| • Window Cleaner                      |



#### **WARNING**

Always wear appropriate PPE ( Personal protection equipment) when fitting this product. Although the mounting kit is designed to be DIY, if you have any doubts or concerns, contact an accredited fitment centre to carry out the work. Alu-Cab will not be liable for any injury to persons, and/or damage to products and/or vehicles.

## 2. Front and Rear Canopy Support Brackets.

In Figure 1 and Figure 2 below are the canopy support brackets for the Ford T6/T7 Ranger.

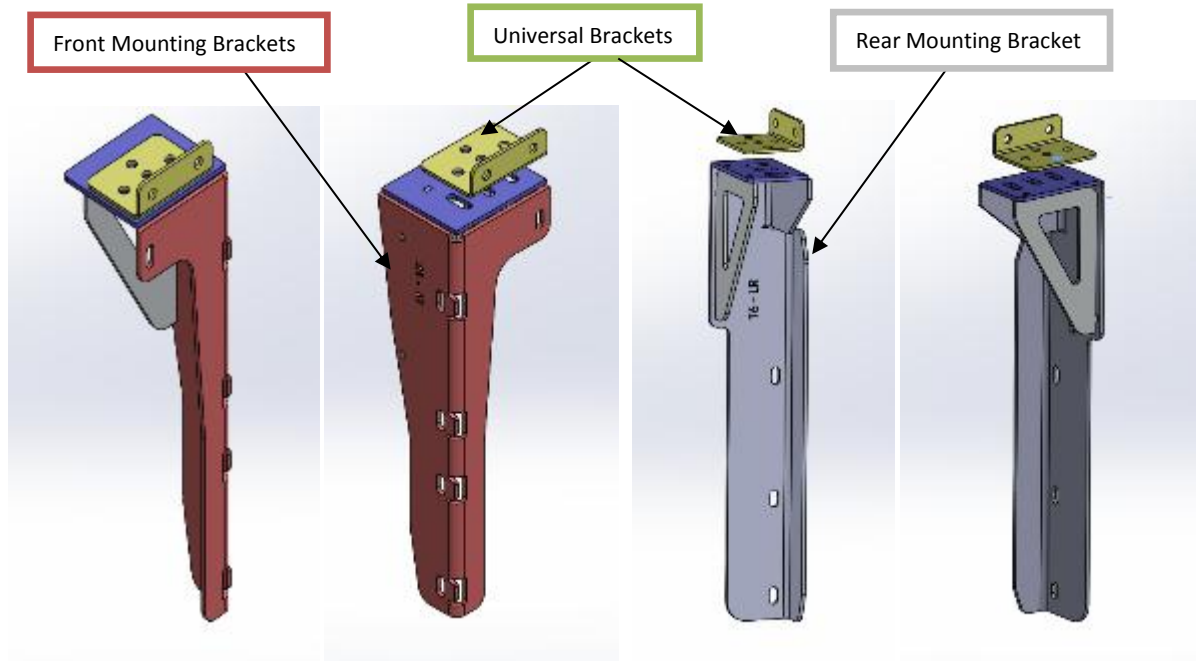


Figure 1: Front Support Canopy Brackets

Figure 2: Rear Support Canopy Brackets

### 2.1. Mounting the Support Brackets to the Load Bin

#### a) Step 1 – Removing the Standard Hooks

Remove the standard hooks using a T40 spline socket and ratchet.

Standard Hook Points



Figure 3: Standard Hook Points



Figure 4: Standard Hook

b) Step 2 – Bolting the Front and Rear Mounting Brackets to the Load Bin

Figures 5 to Figure 10 shows where and how the support brackets are fixed to the load bin. The top of the brackets must be flush with the load bin.

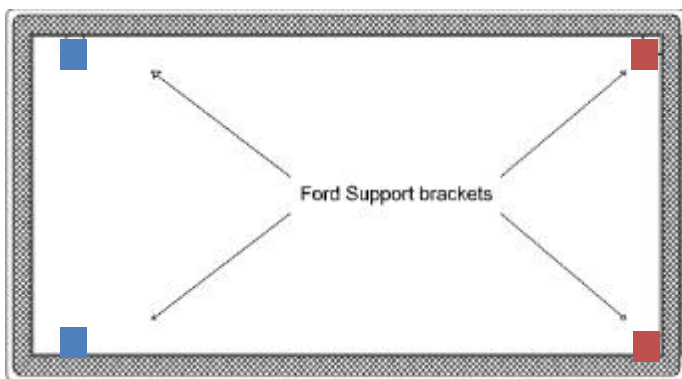


Figure 5: Top View of Load Bin

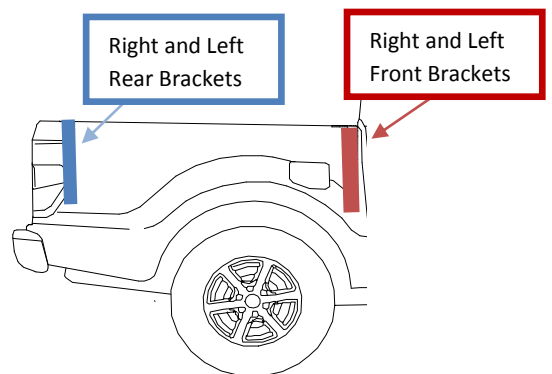


Figure 6: Side View of Load Bin

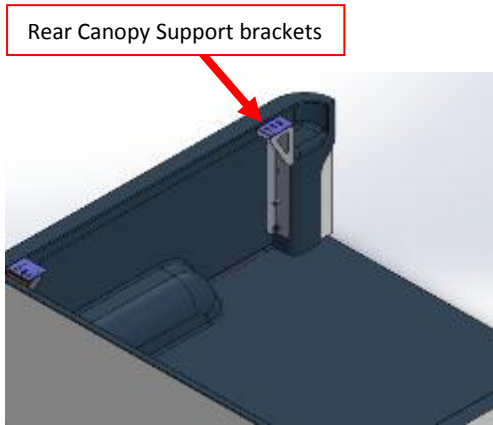


Figure 7: Rear Canopy Support Bracket Position

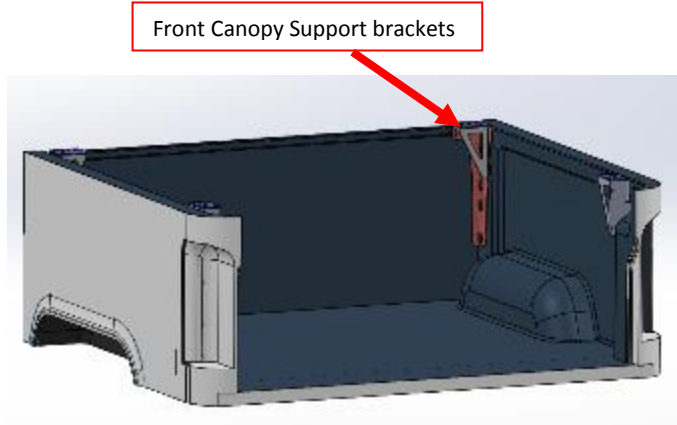


Figure 8: Front Canopy Support Bracket Position

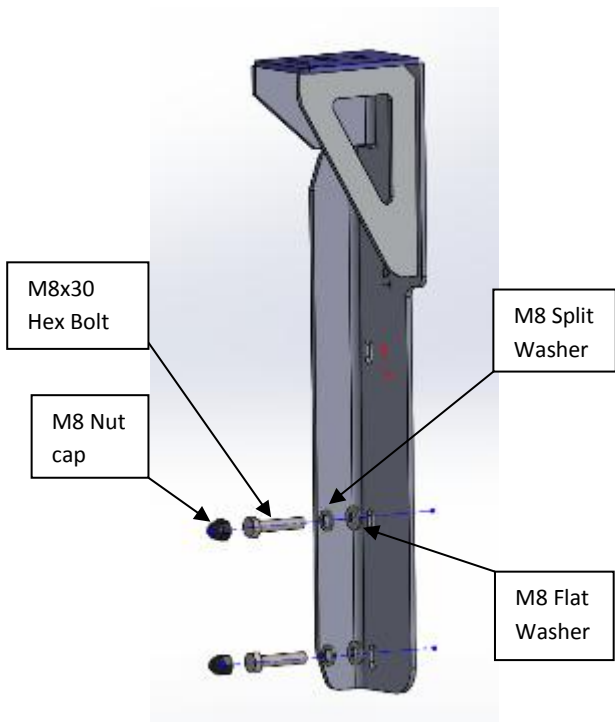


Figure 9: Rear Bracket Mounting Assembly

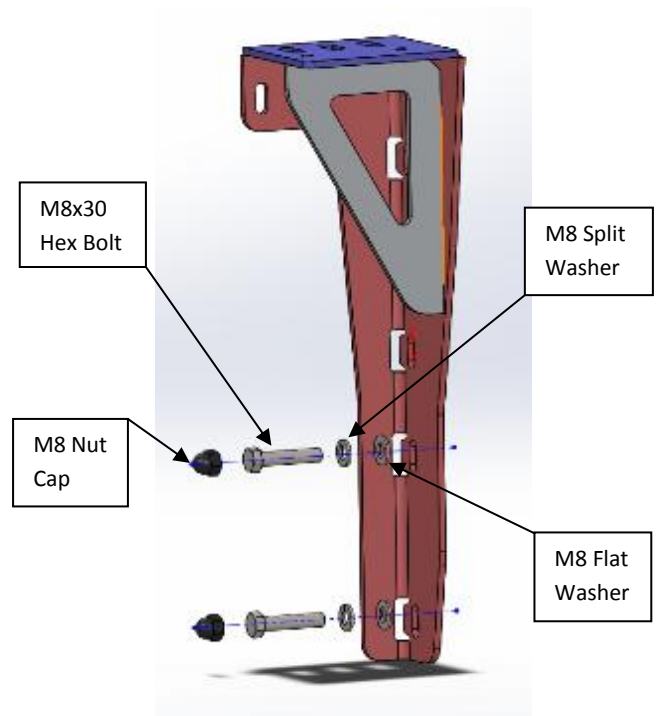


Figure 10: Front Bracket Mounting Assembly

### 3. Centre Mounting Brackets

In Figure 14 below is the assembly of the centre mounting bracket which consists of the canopy mounting bracket and the load bin mounting bracket.

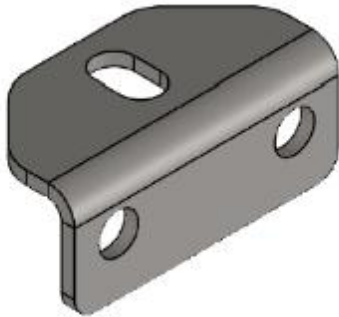


Figure 11: Canopy Mounting Bracket

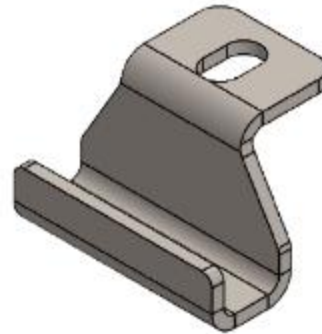


Figure 12: Load Bin Mounting Bracket

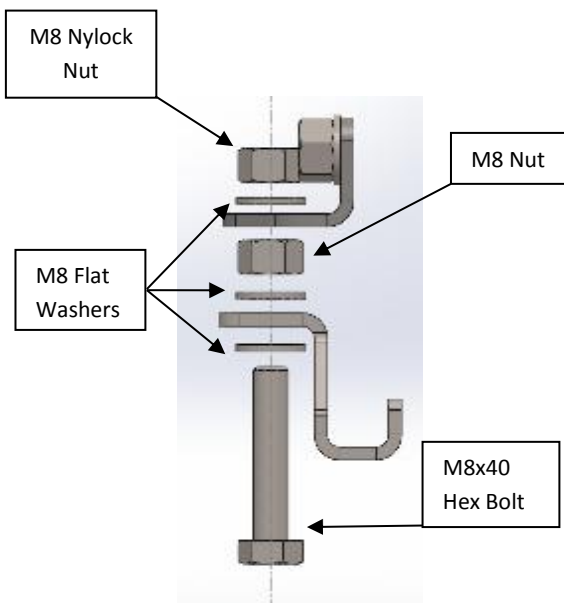


Figure 13: Centre Bracket Mounting Assembly

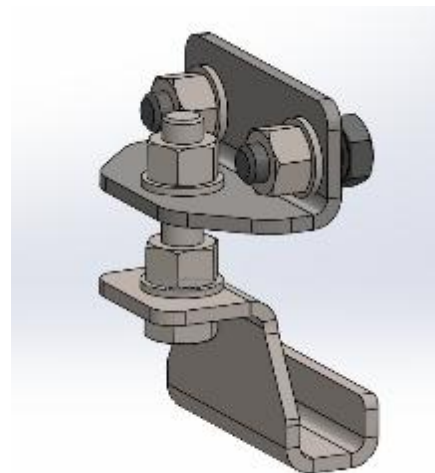


Figure 14: Centre Mounting Bracket Assembly

### 3.1. Mounting the Centre Mounting Bracket

In Figure 15 below shows how the centre mounting bracket clamps onto the load bin.

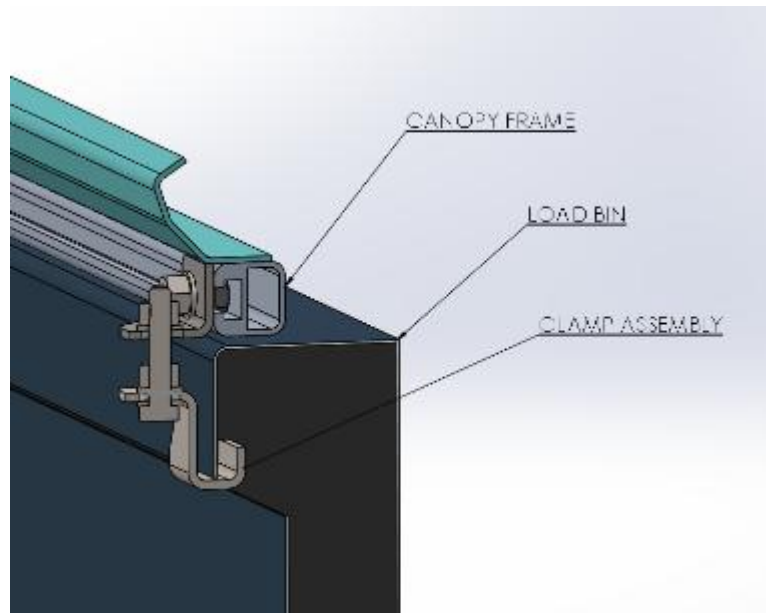


Figure 15: Section View of Clamping Method

## 4. Canopy Installation

Before placing the canopy onto the load bin, check that the D-Rubber is intact on the canopy. If this is not done, the canopy and/or load bin could be damaged or can cause leaks into the canopy.

To position the canopy, ensure that it is flush with the load bin.

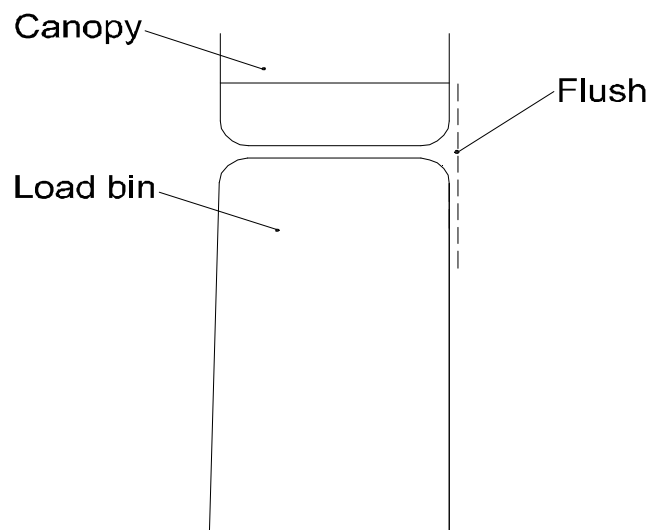


Figure 16: Canopy and Load Bin Alignment



#### 4.1. Canopy Fitment to Load bin

Open all the doors of the canopy and place onto the load bin.

##### a) Step 1 – Bolting the Universal Bracket to the Support Bracket.

In Figure 17 and Figure 18 below shows how the universal bracket is mounted to the front and rear support brackets.

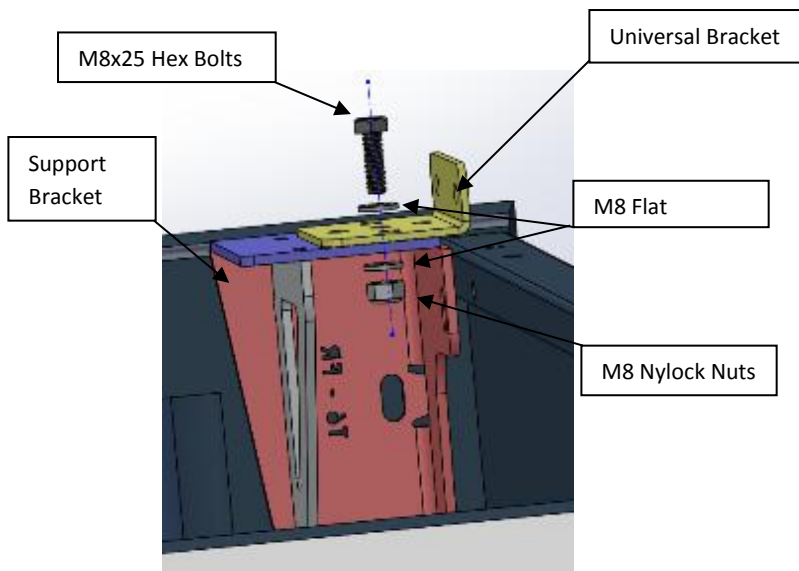


Figure 17: Universal-Front Bracket Mounting Assembly

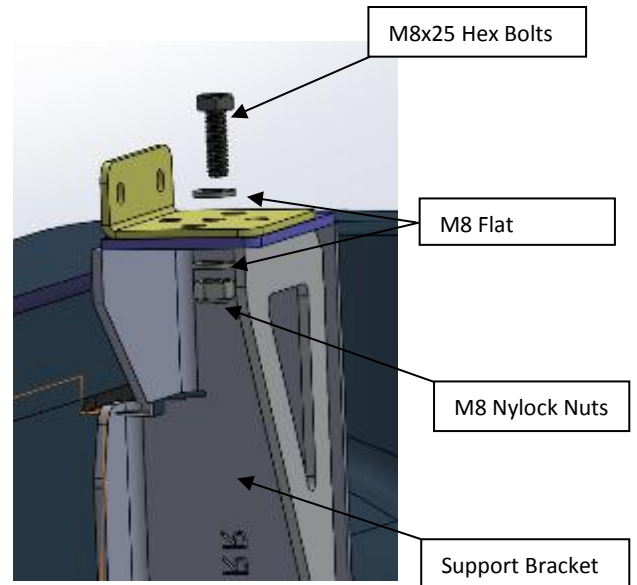


Figure 18: Universal-Rear Bracket Mounting Assembly

##### b) Step 2 – Bolting the Universal Bracket to the Canopy

When the Universal bracket is bolted to the mounting brackets, it should then be mounted to the canopy. In Figure 19 and Figure 20 shows the fastener assembly.

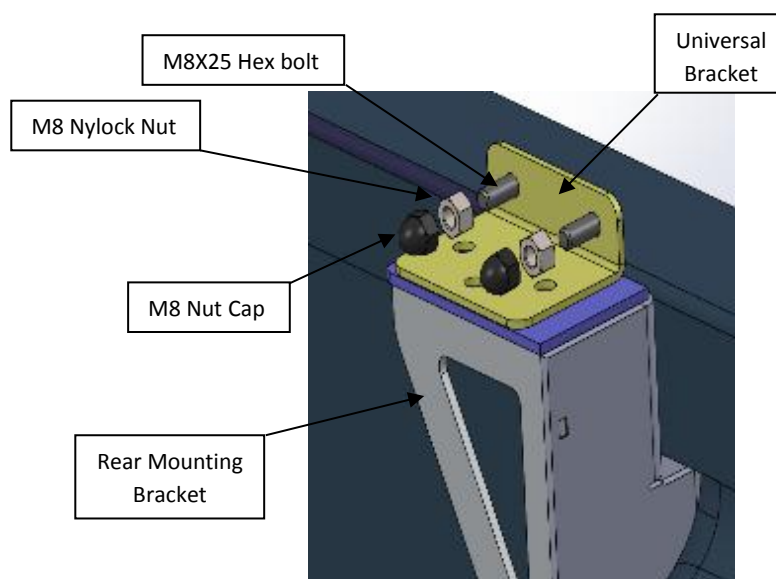


Figure 19: Rear Universal to Canopy Mounting assembly

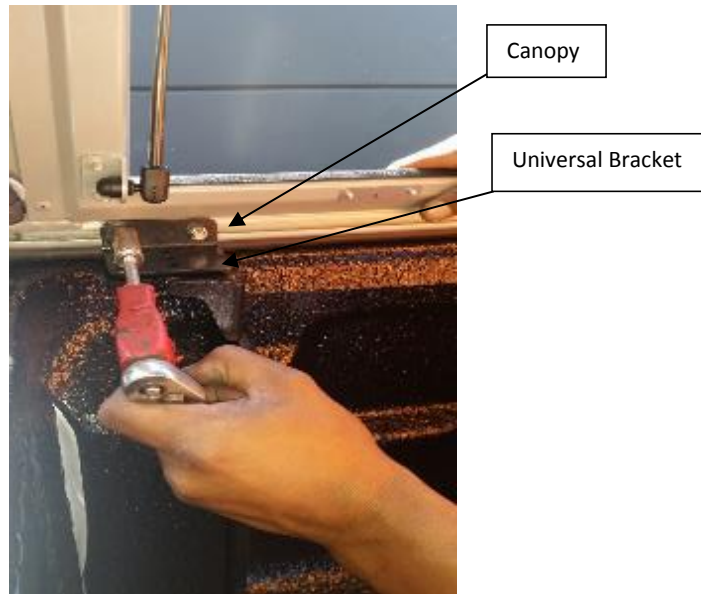


Figure 21: Tightening Universal bracket to Canopy

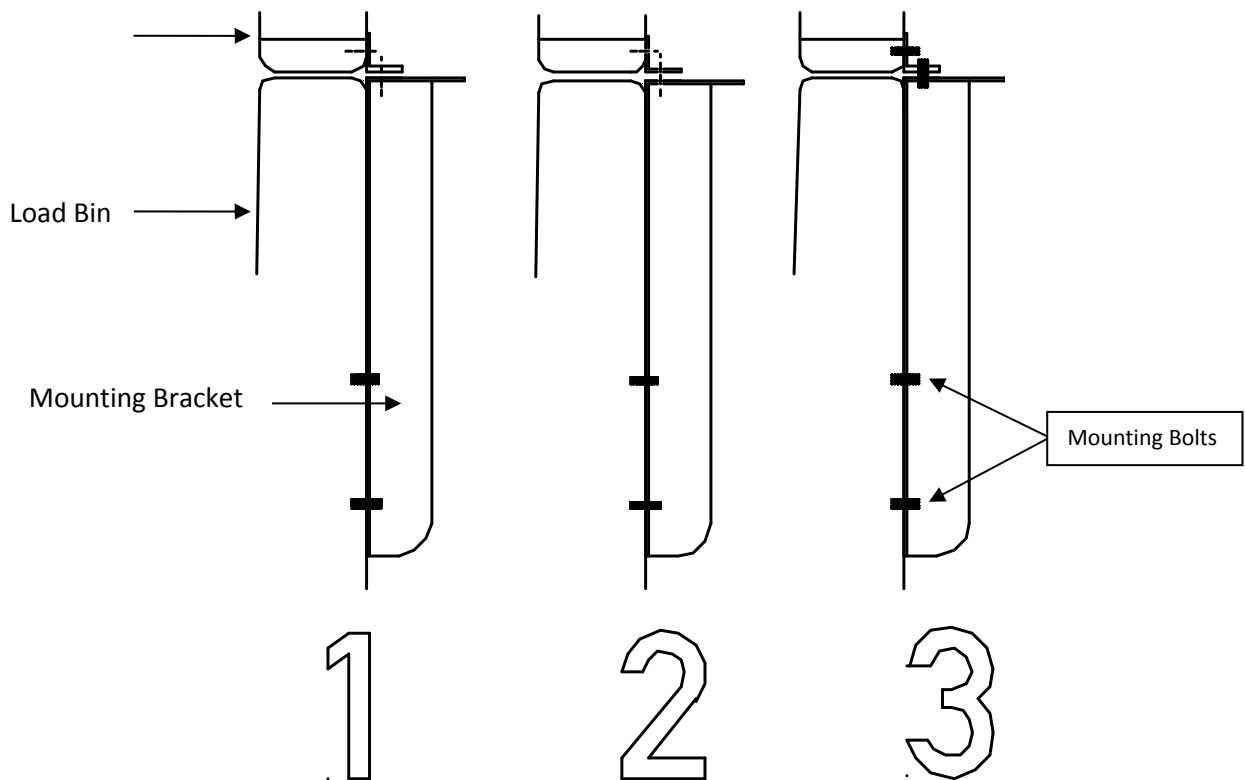


Figure 22: Overall Fitting Assembly

The canopy must rest solely on the mounting brackets and no load is allowed on the load bin. Once this is completed, the canopy has been installed successfully.

Should you experience any problems, please contact us so that we can assist you.

Enquiries: [queries@alu-cab.co.za](mailto:queries@alu-cab.co.za)  
Tel: +27 21 703 3028