

FITMENT INSTRUCTIONS

Alu-Cab[™]



Contour Canopy to suit Nissan Navara NP300 Fitment Instructions

All rights reserved. No part of this document may be reproduced, translated, stored in a retrieval system, or transmitted, in any form or by any means, electronic, mechanical, photocopying, recording or otherwise, without prior written permission of the owner.

Review all instructions information carefully before installation.

Any damages, direct or incidental to the installer and/or property due to incorrect installation of any parts are the responsibility of the installer. Due to the various applications and fitment options available, the responsibility lies with the user to ensure all mounting points are secure and tight before every trip. If unsure, consult with your Distributor regarding the operations of our products.

Users are advised to be mindful of the load they are carrying and drive in accordance with road conditions.

DISCLAIMER

Alu-Cab

1. Canopy Fitment – Tools, Fasteners & Materials

The tables below show the equipment, i.e. tools and fasteners required to start the canopy fitment for a Nissan Navara NP300.

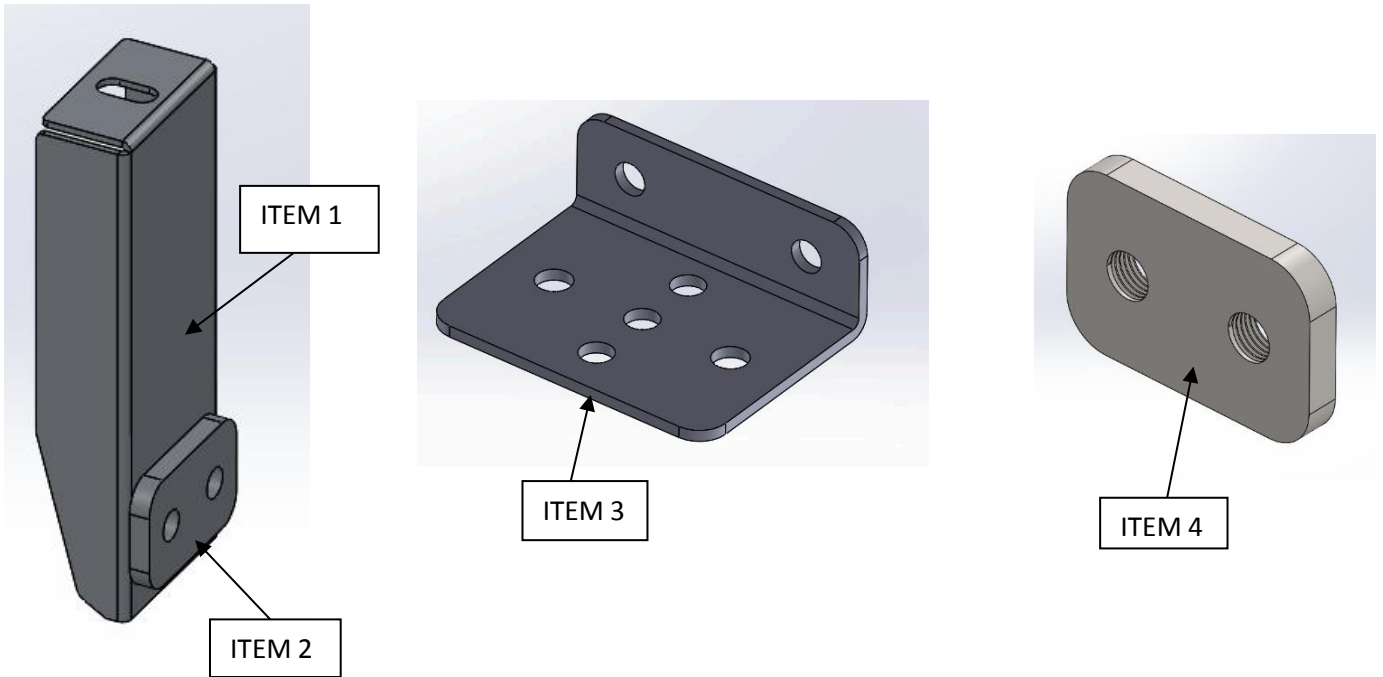
1.1. Tools & Item Required:

| <u>TOOLS</u> | <u>ITEM</u> |
|------------------------|-------------------------------------|
| Ratchet | Turpentine |
| Allen key | Cloth |
| 13mm Socket | Black sealant, silicone or Sikaflex |
| 13mm Ring Flat Spanner | Window Cleaner |

1.2. Hardware supplied: (Included with canopy)

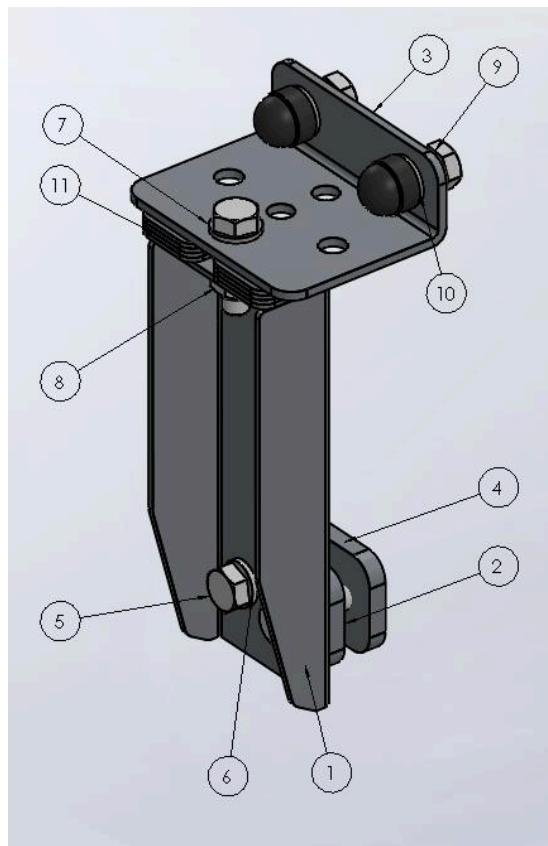
| ITEM NO. | PART NUMBER | DESCRIPTION | SET REQ |
|-----------------|--------------------------------|----------------------|----------------|
| 1 | NP300-CHAN-BRKT-01-00 | CHANNEL BRACKET | 6 |
| 2 | NP300-SPACER-PLT-01-00 | SPACER PLATE | 6 |
| 3 | Universal Canopy Mount Bracket | Canopy Mount Bracket | 6 |
| 4 | NP300-NUT-PLT-01-00 | NUT PLATE | 6 |
| 5 | M8x30 Hex Head Bolts | Hex Head Bolts | 18 |
| 6 | DIN 7980 M8 Spring Washer | Spring Washer | 12 |
| 7 | DIN 125A M8 Flat Washer | Flat Washer | 24 |
| 8 | ISO 7040 M8 Nyloc Nut | Nyloc Nut | 18 |
| 9 | M8x20 Hex Head Bolt | M8x20 Hex Head Bolt | 12 |
| 10 | M8 Nut Cap | Nut Cap | 12 |
| 11 | TLCruiser Shim (60x30x1.6mm) | SHIM PLATE | 24 |

PARTS:

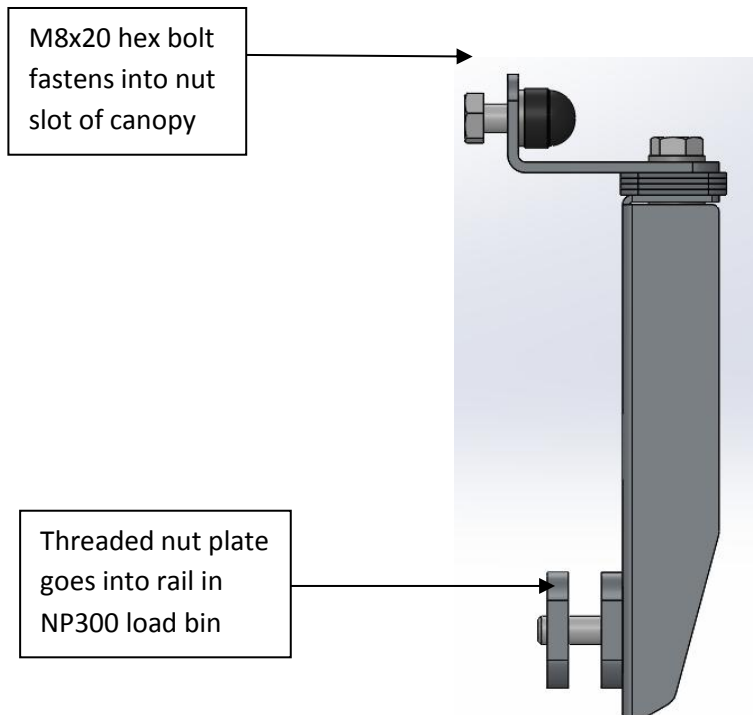


2. Mounting the canopy brackets to the load bin

The Navara NP300 canopy has six bracket kits (3 per side) which are fitted to the load bin.



2.1. Mounting the Support Brackets to the Load Bin



WARNING

Always wear appropriate PPE (Personal protection equipment) when fitting this product. Although the mounting kit is designed to be DIY, if you have any doubts or concerns, contact an accredited fitment centre to carry out the work. Alu-Cab will not be liable for any injury to persons, and/or damage to products and/or vehicles.

Positions of the bracket kits in the load bin

Figures 7 and 8 shows where the mounting brackets are fixed to the load bin.

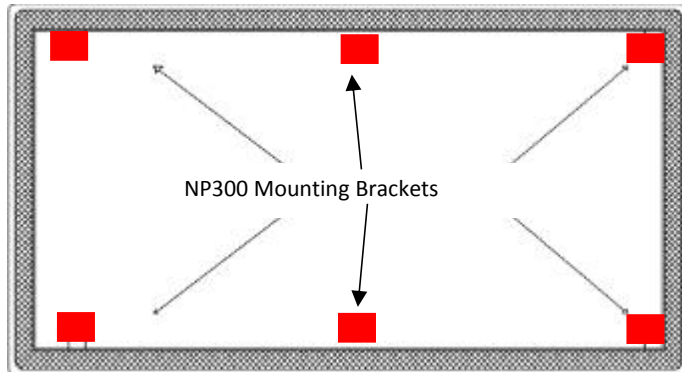


Fig 7: Top View of Load bin

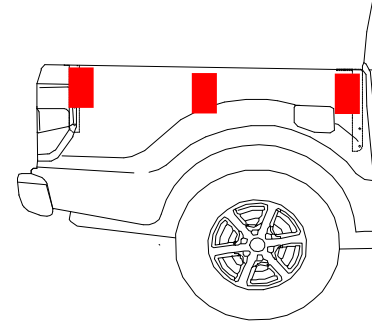
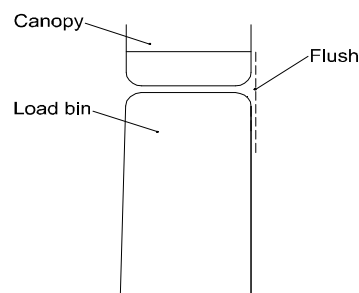


Fig 8: Side View of Load bin

3. Canopy Installation

Before placing the canopy onto the load bin, check that the D-Rubber is intact on the canopy. If this is not done, the canopy and/or load bin could be damaged or can cause leaks into the canopy.

To position the canopy, ensure that it is flush with the load bin on the inside.



3.1 Canopy Fitment to Load bin

Keep all the doors of the canopy open besides the rear door when placing it onto the load bin. Check alignment before bolting down.