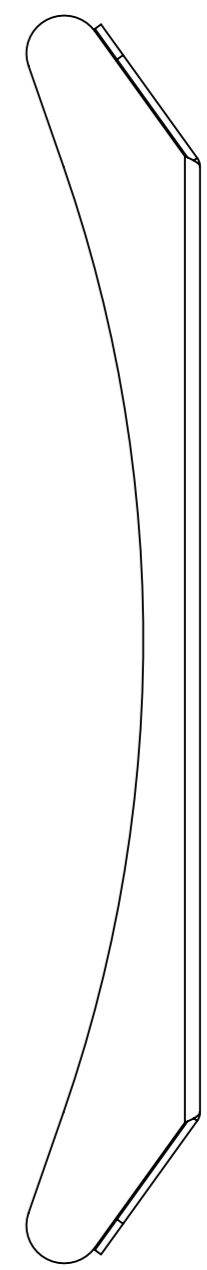
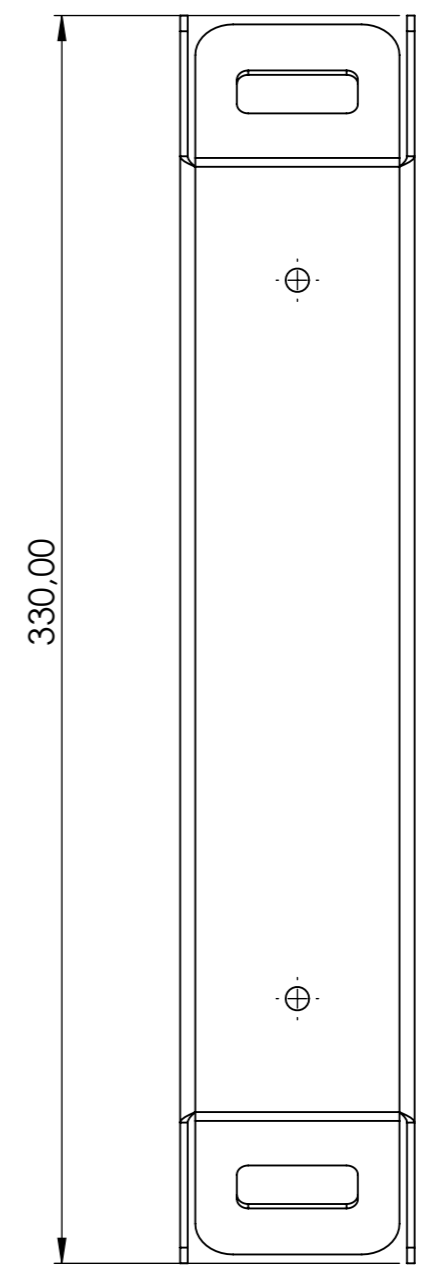
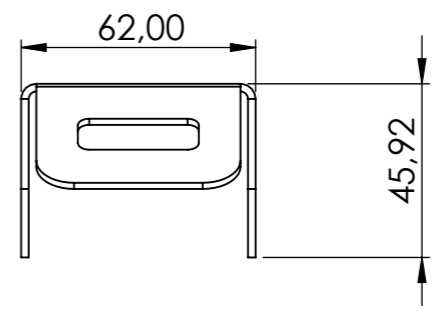
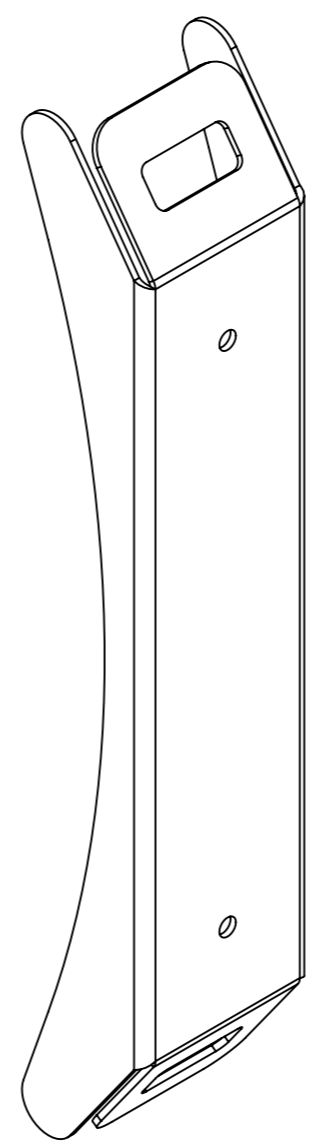
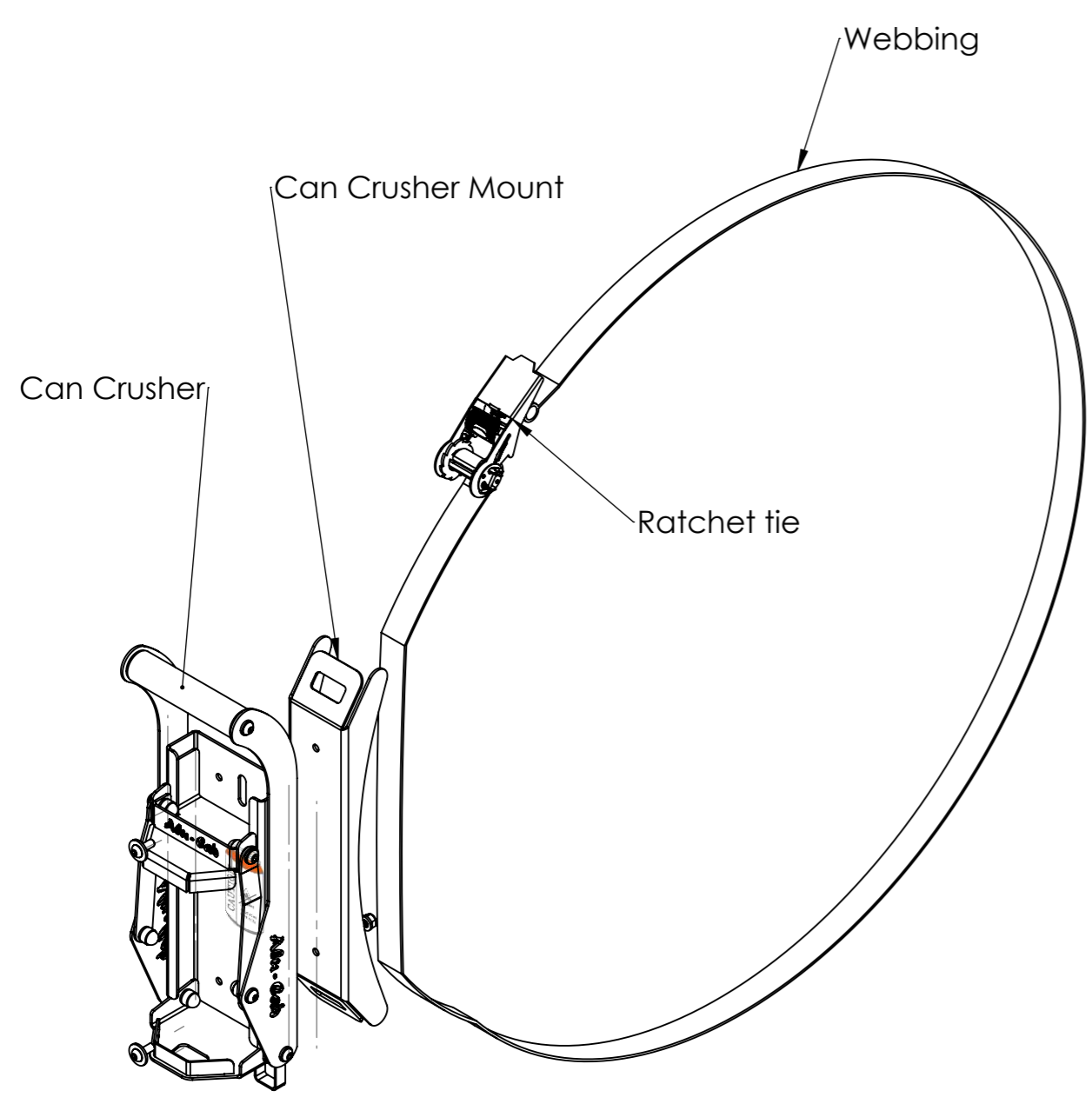


ASSY INFO	MASS (kg):	
	BONDED:	Y
	FASTENED:	Y
FINISH	WELDED:	
	TUMBLED:	
	BRUSHED:	
	POWDER:	
	SPRAY:	
	COLOUR:	N/A



ITEM NO.	PART NUMBER	Revision	DESCRIPTION	QTY
1	A-CRUSH-SWM-P001	00	CAN CRUSHER WHEEL MOUNT BRACKET	1
2	RAT-STRP-B-SWM	00	RATCHET STRAP	1
3	BX-LB		LOAD BAR IN & OUT 83X55X850	1

TOLERANCES TO ASSUME UNLESS INDICATED OTHERWISE

NOM DIMENSION	RANGE (mm)	TOLERANCE
0.50	- 3.00	± 0.10
3.00	- 6.00	± 0.15
6.00	- 30	± 0.20
30	- 120	± 0.30
120	- 400	± 0.50
400	- 1000	± 1.00
1000	- 1000<	± 2.00

DESCRIPTION: CAN CRUSHER MAIN ASSEMBLY

PROJECT:

DRAWN BY: Tristan Millard DATE: 2022-11-01

THE INFORMATION CONTAINED WITHIN THIS DOCUMENT IS THE INTELLECTUAL PROPERTY OF ALU-CAB (PTY) LTD

SHEET: A3 SHEET 1 of 1

SCALE: 1:4

DRAWING NO. A-CRUSH-SWM-GA

REV 00

REV.	DESCRIPTION	DATE	APPROVED
00	RELEASED FOR PRODUCTION	2022-11-01	System Administrator