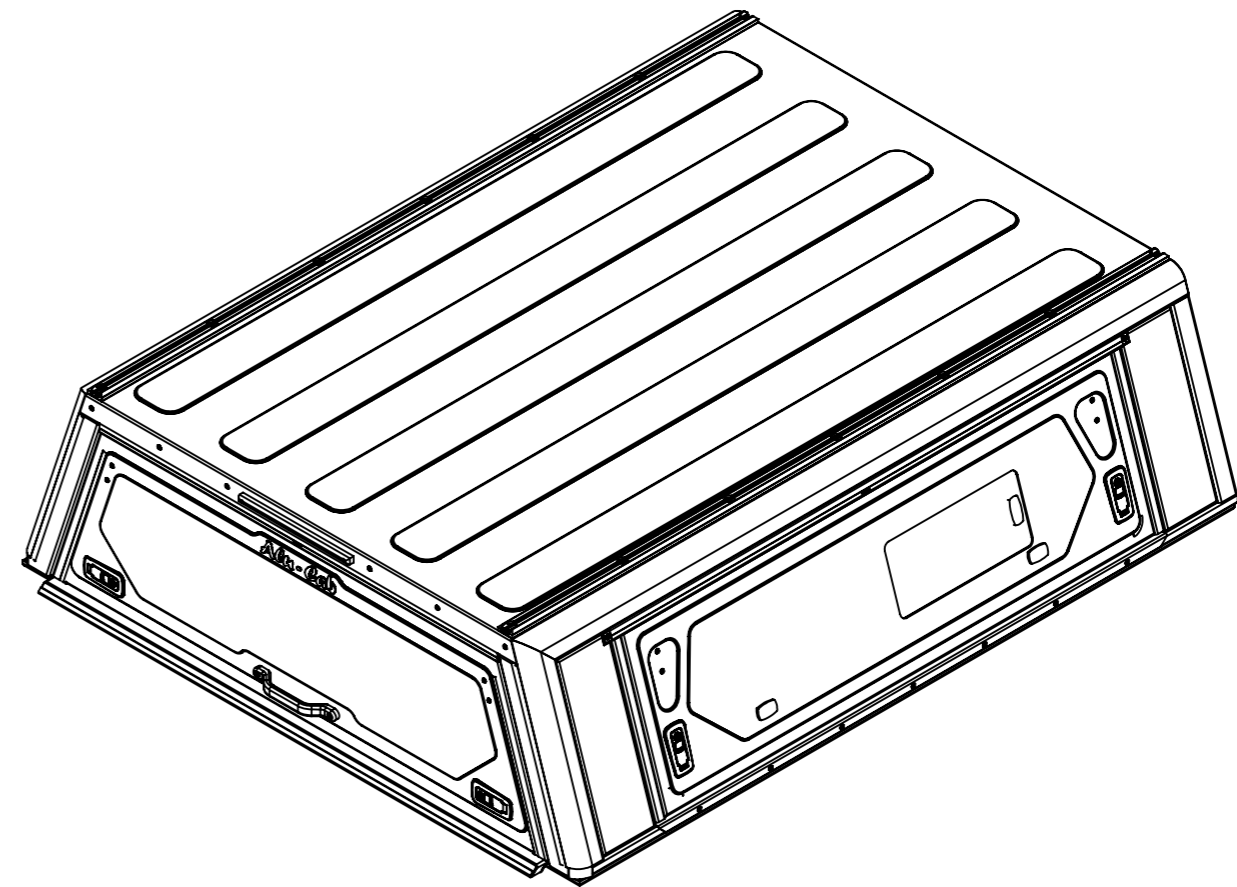
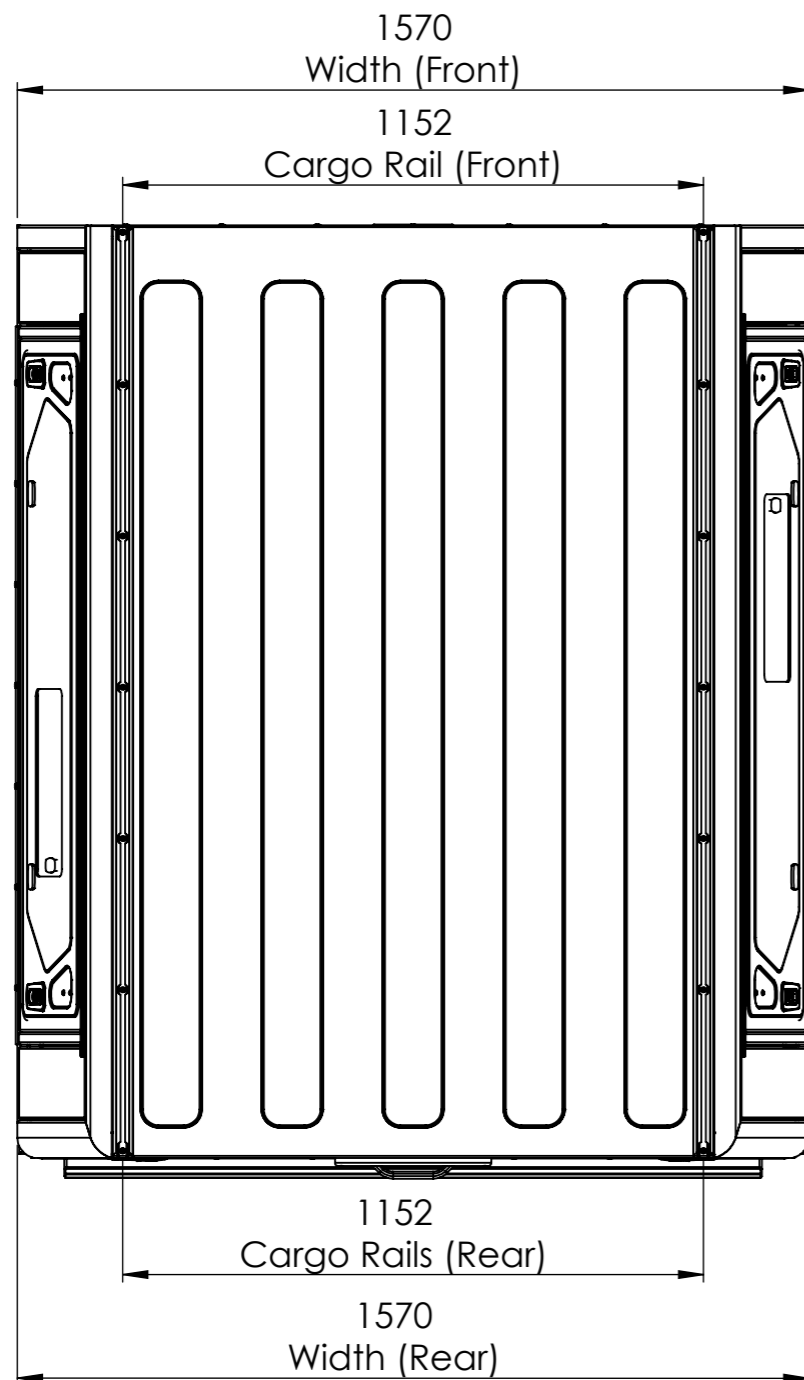
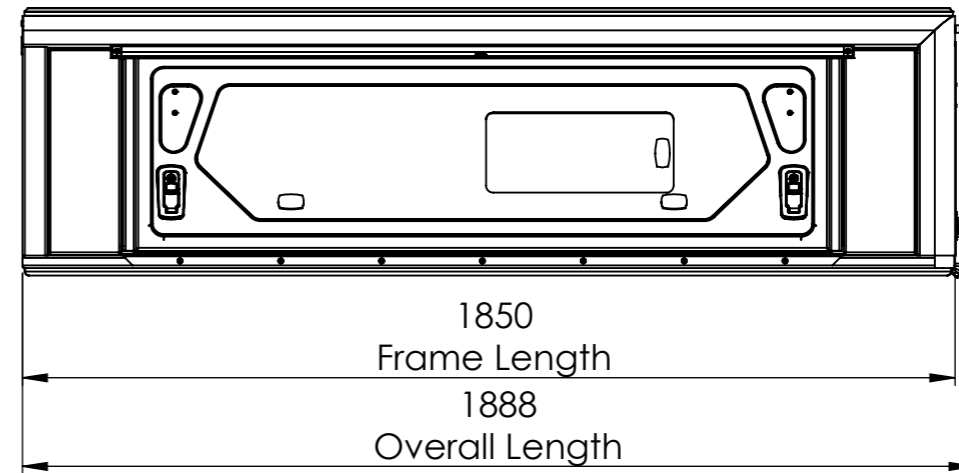
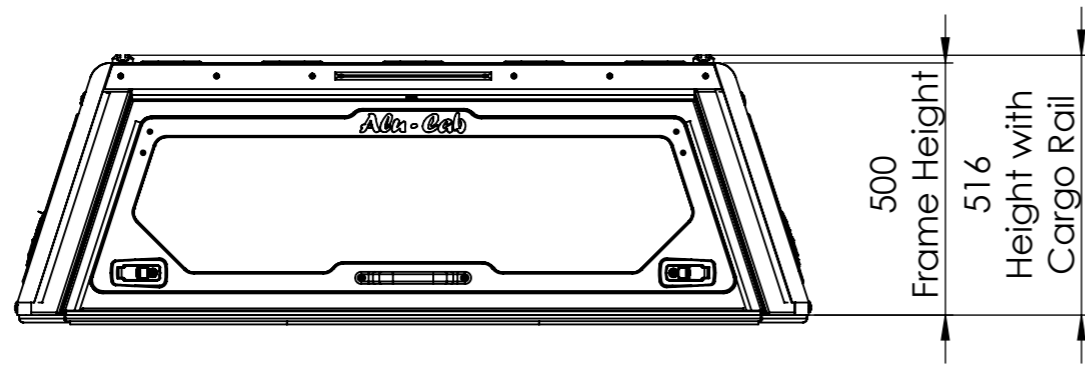


GENERAL ARRANGMENT ONLY



TOLERANCES TO ASSUME UNLESS INDICATED OTHERWISE			
NOM	DIMENSION	RANGE (mm)	TOLERANCE
0.50	-	3.00	± 0.10
3.00	-	6.00	± 0.15
6.00	-	30	± 0.20
30	-	120	± 0.30
120	-	400	± 0.50
400	-	1000	± 1.00
1000	-	1000<	± 2.00

DESCRIPTION:
FORD RANGER T6 XC MAIN ASSEMBLY

PROJECT:
C2-X-FR12

DRAWN BY:
System Administrator

DATE:
2022-05-23

THE INFORMATION CONTAINED WITHIN THIS DOCUMENT
IS THE INTELLECTUAL PROPERTY OF ALU-CAB (PTY) LTD

SHEET:
A3

SCALE:
1:15

SHEET
1 of 1

Alu-Cab
UJITHIWA 07484262 PRODUKUS

DRAWING NO.
C2-X-FR12-A00-GA

REV
00