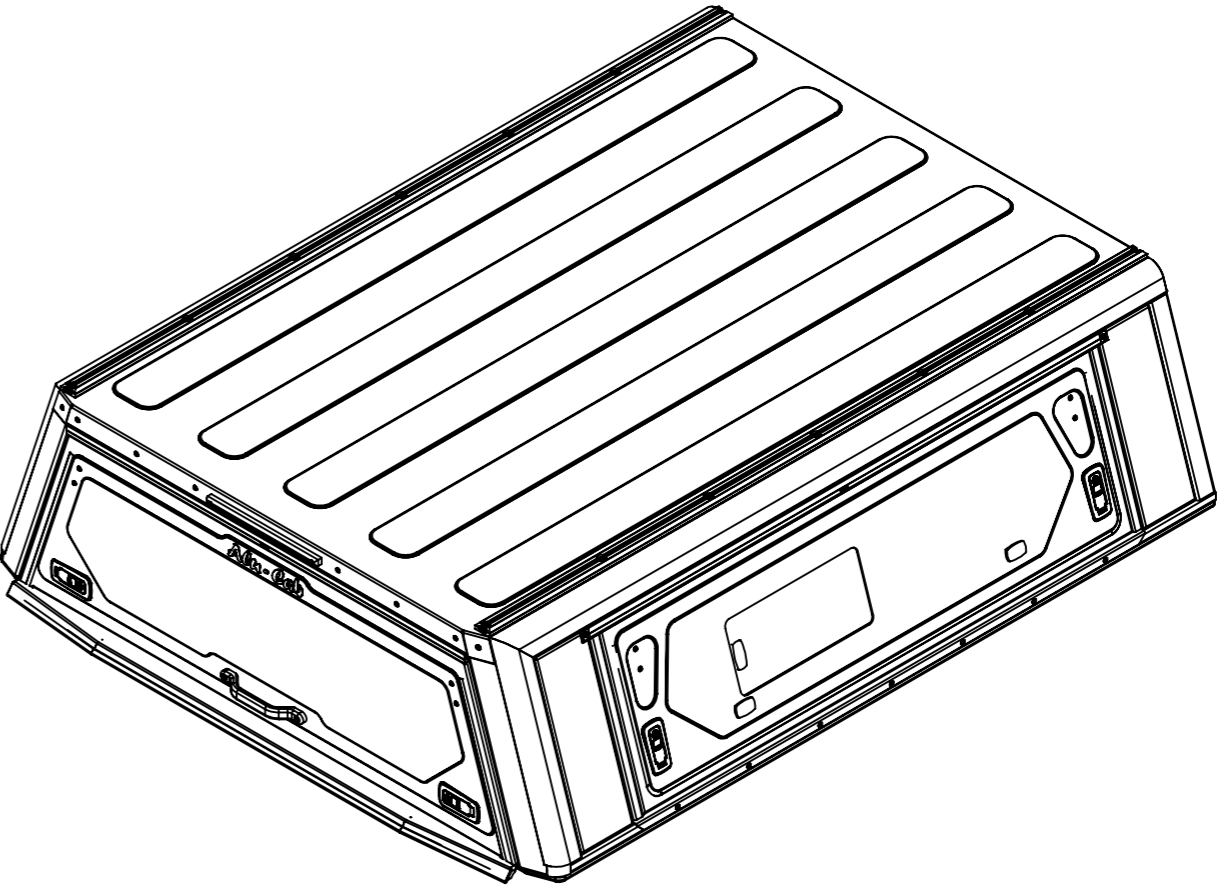
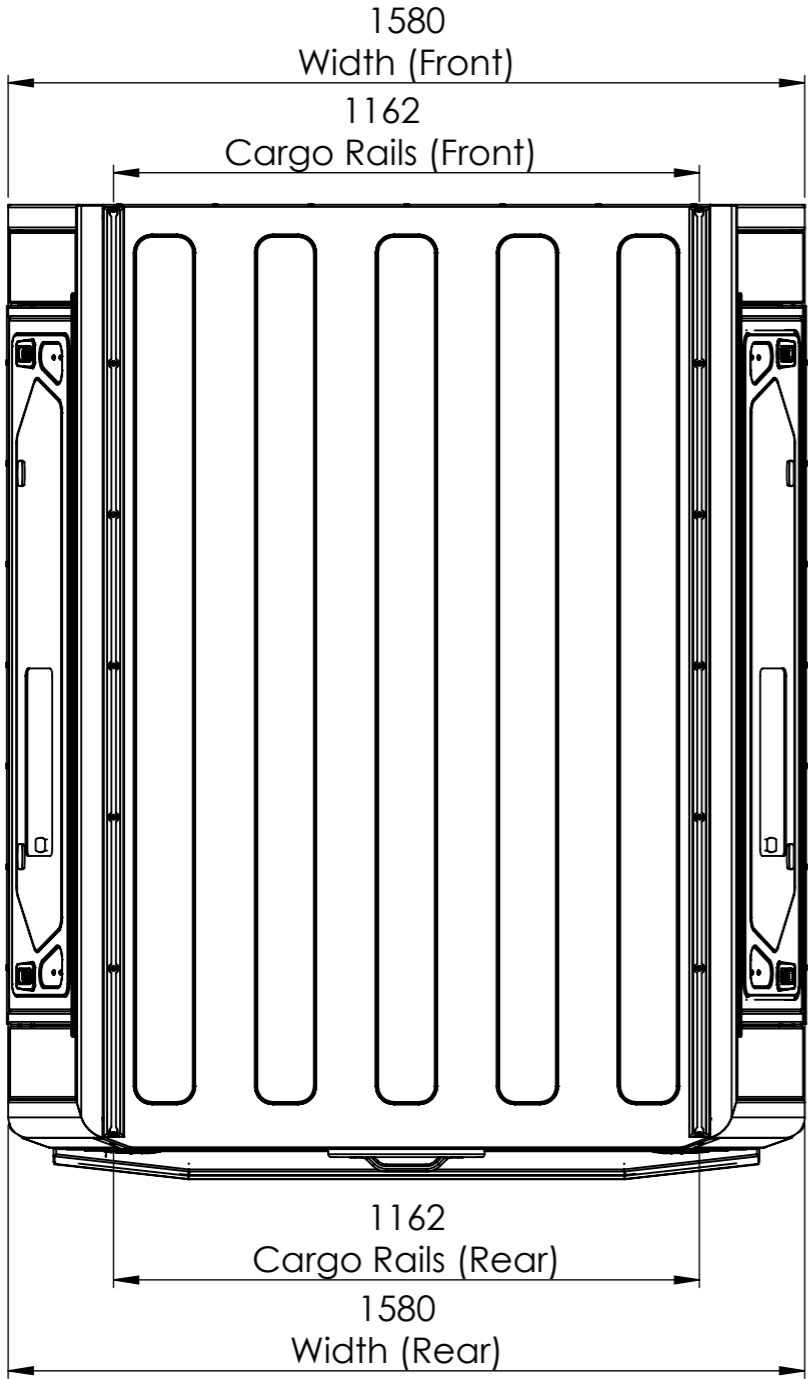
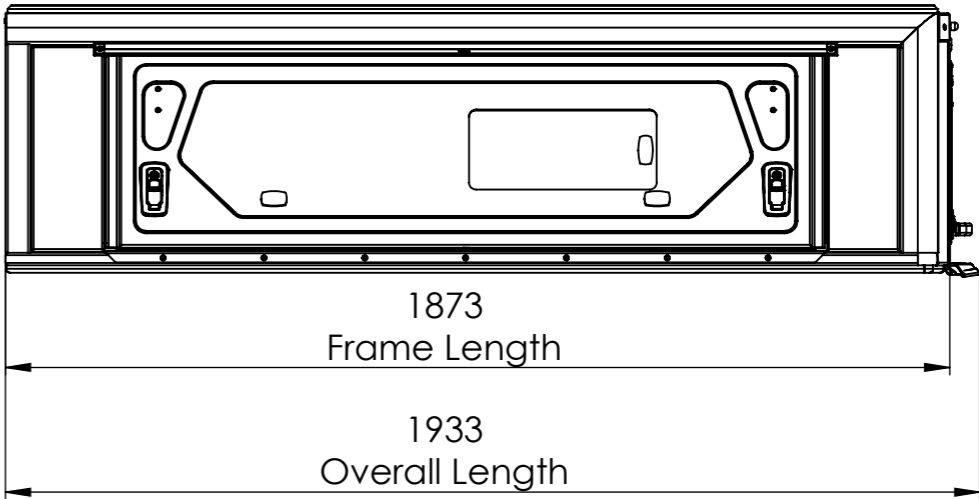
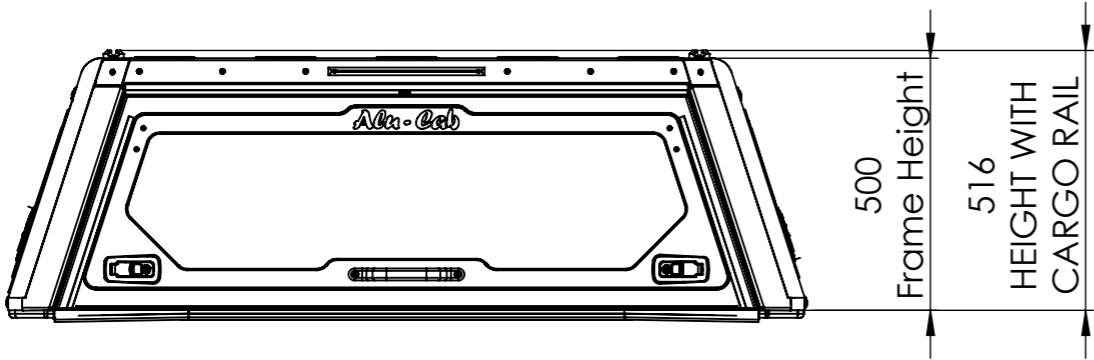



GENERAL ARRANGEMENT ONLY



TOLERANCES TO ASSUME UNLESS INDICATED OTHERWISE

| NOM DIMENSION | RANGE (mm) | TOLERANCE |
|---------------|------------|-----------|
| 0.50 | - 3.00 | ± 0.10 |
| 3.00 | - 6.00 | ± 0.15 |
| 6.00 | - 30 | ± 0.20 |
| 30 | - 120 | ± 0.30 |
| 120 | - 400 | ± 0.50 |
| 400 | - 1000 | ± 1.00 |
| 1000 | - 1000< | ± 2.00 |

| | | | |
|--|--|--|---|
| MATERIAL DESCRIPTION: | | MATERIAL THICKNESS (mm): | |
| DESCRIPTION: HILUX REVO XC MAIN ASSEMBLY | | SHEET: A3 | SHEET 1 of 1 |
| PROJECT: C2-X-TH16 | | SCALE: 1:15 | |
| DRAWN BY: Gideon Muller | | DATE: 2022-05-16 |  |
| THE INFORMATION CONTAINED WITHIN THIS DOCUMENT IS THE INTELLECTUAL PROPERTY OF ALU-CAB (PTY) LTD | | DRAWING NO. C2-X-TH16-A00-GA | |